



Buy it for looks. Buy it for life.®

Specifications

SINK DESCRIPTION

- Manufactured of 18 gauge, type 301 nickel-bearing stainless steel
- Dimensions: Larger bowl is 18" x 18" x 8"; Smaller bowl is 13" x 16.5" x 8"
- Has two 3-1/2" diameter recessed drain openings
- Soundshield undercoating maximizes sound deadening and inhibits condensation
- Silicone sealant not provided
- Includes mounting bracket
- Other standard mounting hardware not included

INSTALLATION

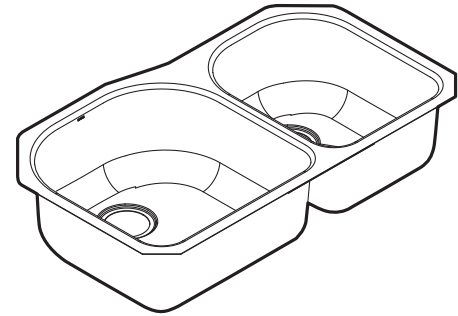
- Template enclosed with sink
- Template ordering number 22543

STANDARDS

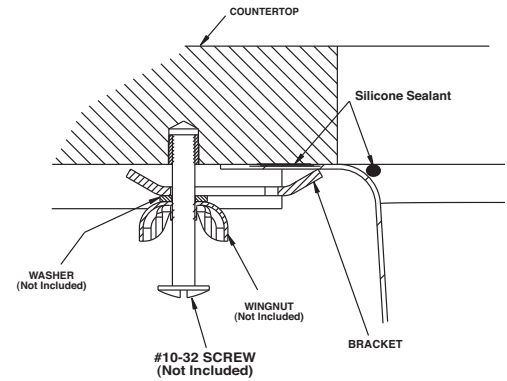
- Third party certified by IAPMO to meet ASME A112.19.3 and all applicable specifications referenced therein

WARRANTY

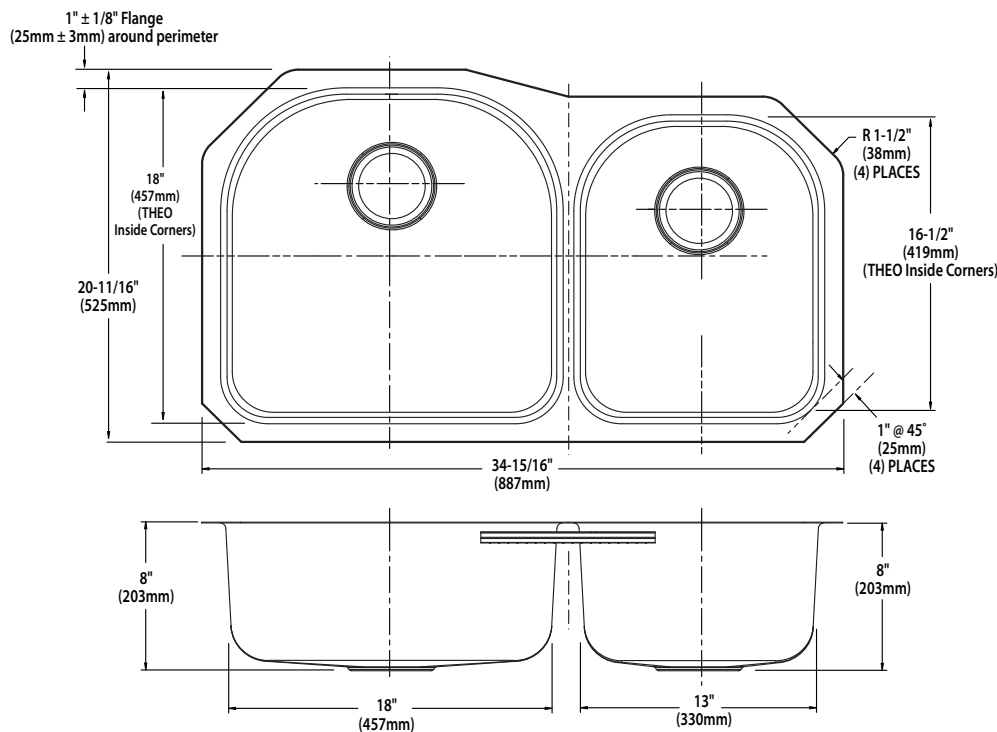
- Warranted for fifteen years against material or manufacturing defects



**Lancelot® Undermount
Double Bowl Kitchen Sink
Model: 22398
(UMTLR - 32" x 18" x 8")**



Installation Detail



CRITICAL DIMENSIONS

(DO NOT SCALE)

FOR MORE INFORMATION CALL: 1-800-BUY-MOEN

www.moen.com