



Buy it for looks. Buy it for life.®

SINK DESCRIPTION

- Manufactured of 16 gauge, type 304 nickel-bearing stainless steel
- The two bowls are a minimum of 14" x 18" x 10"
- Has two 3-1/2" diameter recessed drain openings
- SoundShield undercoating maximizes sound deadening and inhibits condensation.
- The exposed surfaces are polished to a lustrous satin tone finish
- Silicone sealant not provided. Includes mounting bracket. Other standard mounting hardware not included

INSTALLATION

- Cut out template included with sink
- Template ordering number 22537

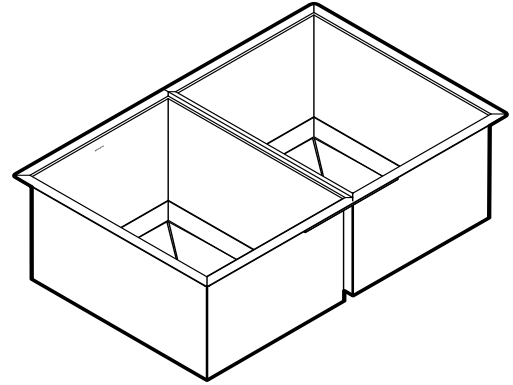
STANDARDS

- Third party certified by IAPMO to meet ASME A112.19.3 and all applicable specifications referenced therein.

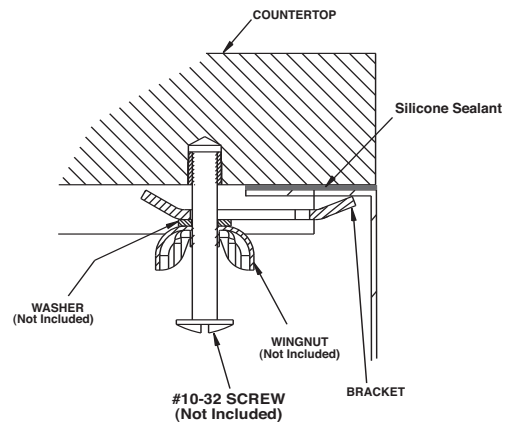
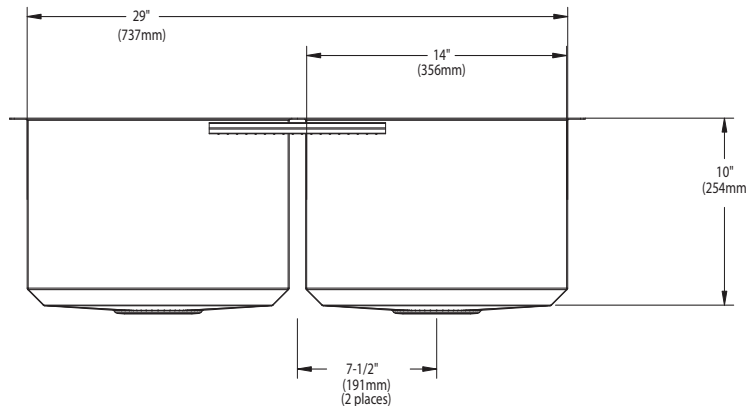
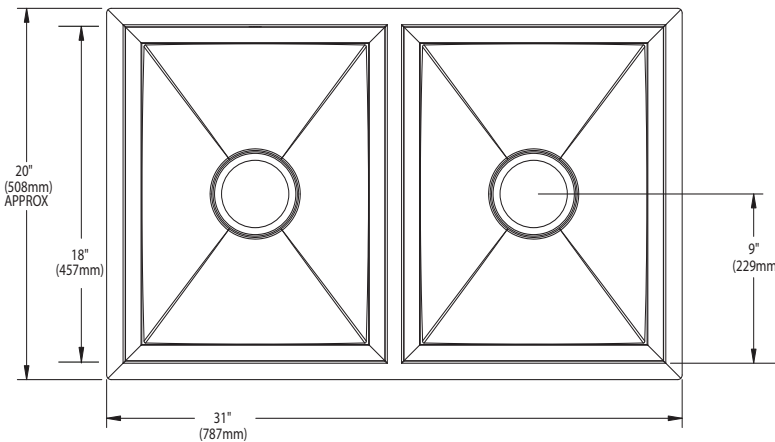
WARRANTY

- Warranted for fifteen years against material or manufacturing defects

Specifications



**Lancelot® Professional Undermount
Double Bowl Sink
Model: 22378
(UMTLDE-2918-10-10)**



Installation Detail

CRITICAL DIMENSIONS

(DO NOT SCALE)

FOR MORE INFORMATION CALL: 1-800-BUY-MOEN

www.moen.com