

# Commercial Bath Accessories Technical Specification

## Premier Paper Holder

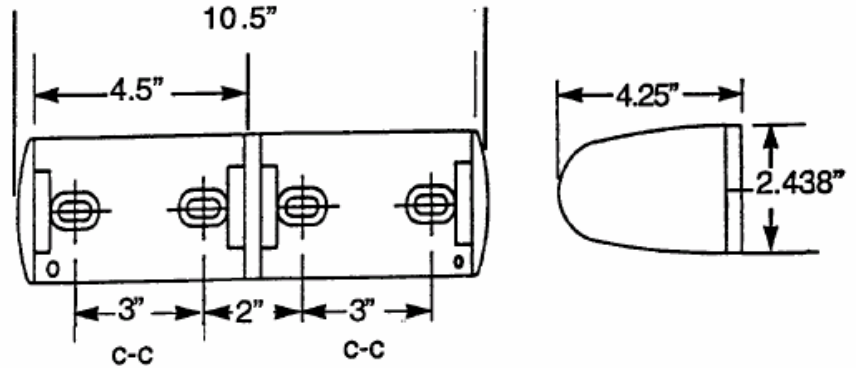
## R112, RR113

### Stock Numbers:

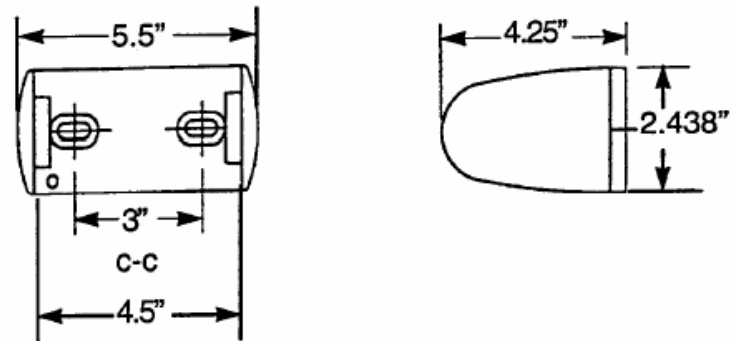
- q **R112CH – Premier Paper Holder**  
Single Roll  
Polished Chrome Finish  
Holds 5" Diameter Standard Roll  
Concealed Push Button Release
- q **RR113CH – Premier Paper Holder**  
Double Roll  
Polished Chrome Finish  
Holds 5" Diameter Standard Roll  
Concealed Push Button Release

### Dimensions:

#### Double Roll



#### Single Roll



### Materials:

**Premier Paper Holder** back plate and projecting arms are die cast from highest quality zinc alloy (zamac), with a triple plated polished chrome finish. Push button is plastic. Spring catch is galvanized steel.

### Installation Instructions:

Position product and secure to wall surface using 1" screws (provided).

Note: Wood blocking is preferable behind all wall surfaces. If wood blocking is not available, the following optional fasteners may be used: Tile / Masonry – Plastic or Lead Anchors; Plaster / Drywall – Toggle Bolts.

**Stock Number:** \_\_\_\_\_ Premier Paper Holder  
By Creative Specialties



25300 AL MOEN DRIVE • NORTH OLMS TED, OH 44070  
CORPORATE HEADQUARTERS: (800) 321-8809 • FAX: (800) 848-6636  
INTERNATIONAL: (440) 962-2000 • FAX: (440) 962-2726  
CUSTOMER SERVICE (USA): 800-882-0116 • FAX: (888) 379-2720  
WWW.CSI.MOEN.COM

©Copyright Creative Specialties International 2006