



Buy it for looks. Buy it for life.®

# Specifications

## DESCRIPTION


- Metal construction with various finishes identified by suffix

## OPERATION

- Cross or lever style handles
- Rotate hot side handle counterclockwise to open (clockwise to close) and the cold side handle clockwise to open and (counterclockwise to close)

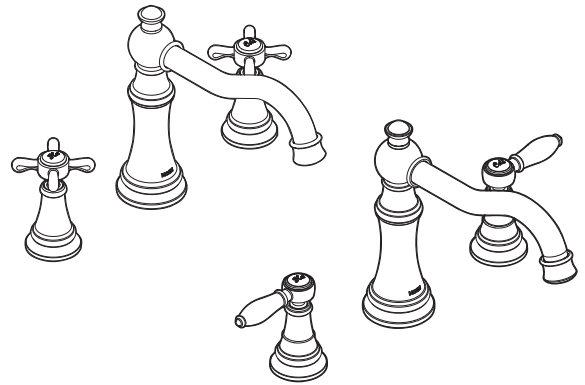
## STANDARDS

- Third party certified to CSA B125.1, ASME A112.18.1, and all applicable requirements referenced therein

- **ADA**  for lever handles

## WARRANTY

- Lifetime limited warranty against leaks, drips and finish defects to the original consumer purchaser
- 5 year warranty if used in commercial installations

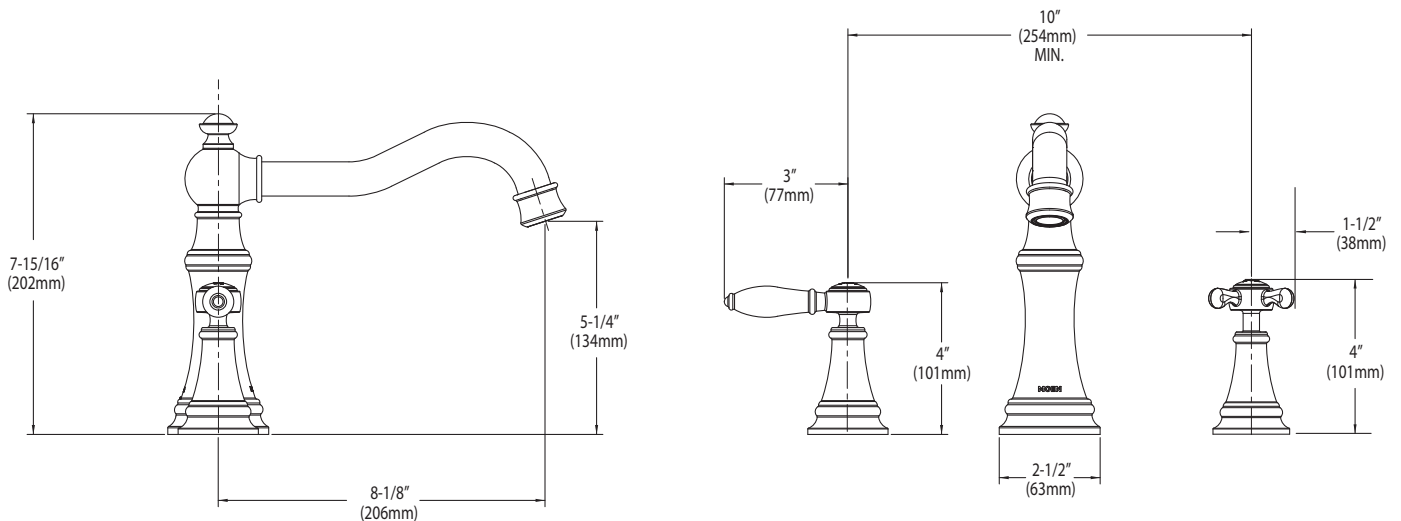


## WEYMOUTH™

### Two-Handle Roman Tub Faucet Trim

**Models:** TS22101 series (cross handles)  
TS22103 series (lever handles)

**Valves:** 4992, 4993, 4996



## CRITICAL DIMENSIONS

(DO NOT SCALE)

FOR MORE INFORMATION CALL: 1-800-BUY-MOEN

[www.moen.com](http://www.moen.com)