

- PA-900C** **PA-900BN**
- PA-900ORB** **PA-900CJP**
- PA-900BNJP** **PA-900ORBJP**



Two Handle Roman Tub Faucet

Product Spec Sheet



FEATURES & BENEFITS

- Metal Lever Handles
- Ceramic Cartridges
- Min Flow Rate 4.0 GPM(15.1 LPM) at 60 PSI (ASME.A112.18.1)

APPROVALS:
Meets or Exceeds The Following:
 * ANSI/ASME A112.18.1
 * IAPMO/UPC

- PA-900C
Chrome Finish
- PA-900BN
Brushed Nickel Finish
- PA-900ORB
Oil Rubbed Bronze Finish
- PA-900CJP
Trim Kit For Roman Tub
Chrome Finish
- PA-900BNJP
Trim Kit For Roman Tub
Brushed Nickel Finish
- PA-900ORBJP
Trim Kit For Roman Tub
Oil Rubbed Bronze Finish



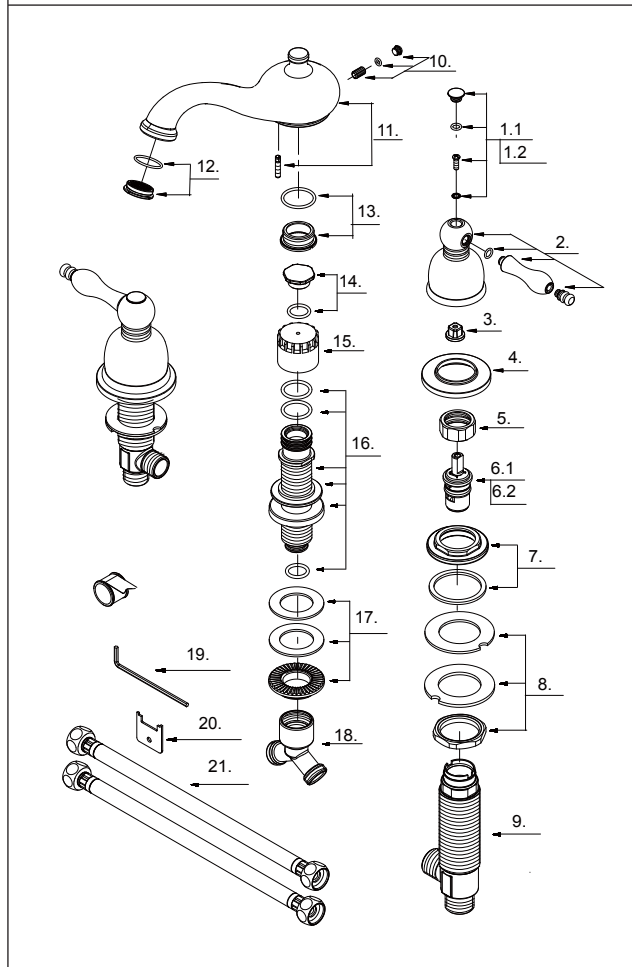
CALIFORNIA:	TEL: 866-532-8306	FAX: 866-532-8307
TEXAS:	TEL: 800-935-5456	FAX: 800-683-4247
NEW YORK:	TEL: 800-431-2082	FAX: 800-640-2252

- PA-900C PA-900BN
- PA-900ORB PA-900CJP
- PA-900BNJP PA-900ORBJP

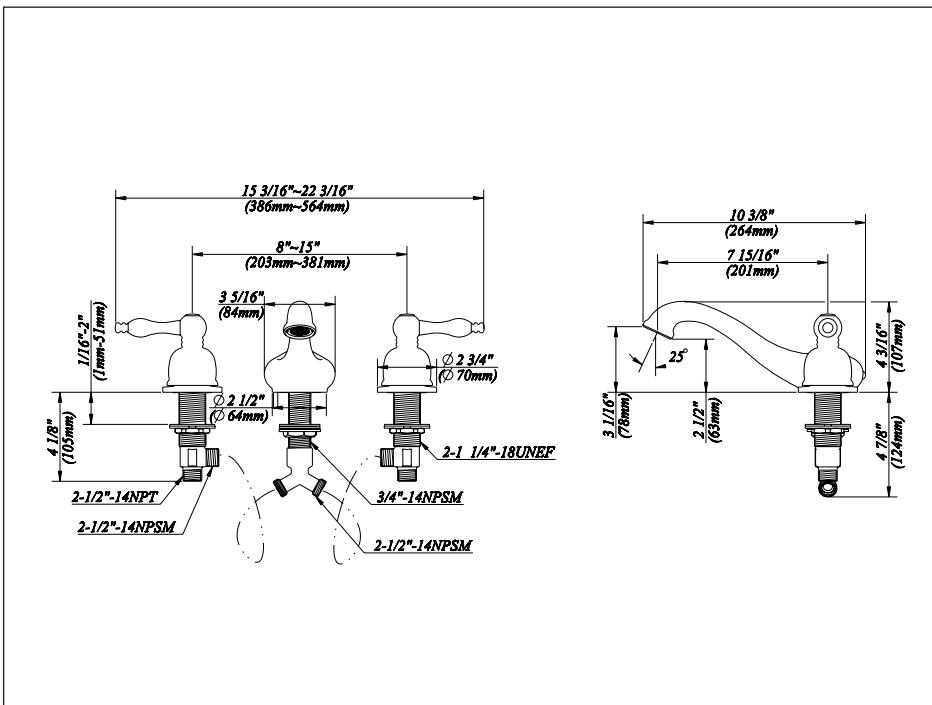


Two Handle Roman Tub Faucet

No.	Name	Material
1.1	Index Button- Cold	Brass
1.2	Index Button-Hot	Brass
2	Metal Handle Assembly	Zinc Alloy
3	Handle Adapter	Plastic
4	Handle Trim Ring	Zinc Alloy
5	Retainer Nut	Brass
6.1	Ceramic Disc Cartridge-Cold	Ceramic & Brass
6.2	Ceramic Disc Cartridge-Hot	Ceramic & Brass
7	Lock Nut	Brass & Plastic
8	Mounting Hardware	Brass & Plastic
9	Handle Valve Body	Brass
10	Spout Trim Cap	Stainless Steel
11	Spout Set	Brass
12	Flow Straightener	Plastic
13	Spout Adaptor	Brass
14	Spout Plug	Brass
15	Spout Rough In Cap	Plastic
16	Spout Body	Brass
17	Mounting Hardware	Brass & Rubber
18	"Y" Adaptor	Brass
19	Hex Wrench (H4 * 20 mm L * 70 mm L)	Stainless Steel
20	Flow Straightener Wrench	Stainless Steel
21	Supply Hose	Stainless Steel



Product Spec Sheet



APPROVALS:

Meets or Exceeds The Following:

* ANSI/ASME A112.18.1

* IAPMO/UPC

CALIFORNIA: TEL: 866-532-8306 FAX: 866-532-8307

TEXAS: TEL: 800-935-5456 FAX: 800-683-4247

NEW YORK: TEL: 800-431-2082 FAX: 800-640-2252

Visit Our Web Site : www.matco-norca.com