

BY-753C **BY-753BN**



BY-753ORB

Universal Showerhead, Arm And Flange

Product Spec Sheet



FEATURES & BENEFITS

- Plastic Showerhead
- Max Flow Rate 2.0 GPM(7.6 LPM) at 80 PSI (ASME.A112.18.1)
- Min Flow Rate 1.5 GPM(5.7 LPM) at 45 PSI (ASME.A112.18.1)

BY-753C
Chrome Finish

BY-753BN
Brushed Nickel

BY-753ORB
Oil Rubbed Bronze



CALIFORNIA:
TEXAS:
NEW YORK:

TEL: 866-532-8306
TEL: 800-935-5456
TEL: 800-431-2082

FAX: 866-532-8307
FAX: 800-683-4247
FAX: 800-640-2252

Visit Our Web Site : www.matco-norca.com

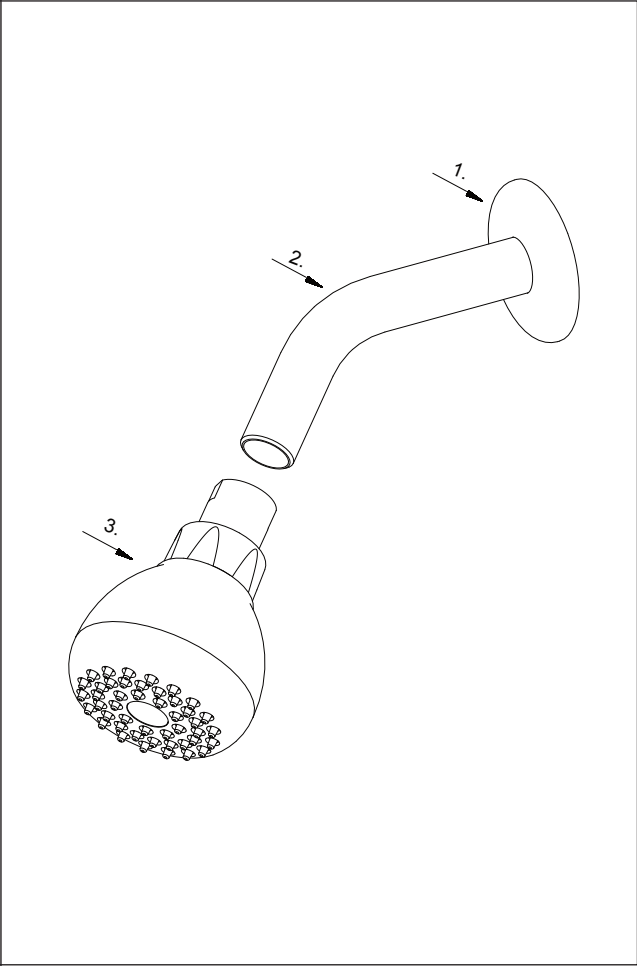
BY-753C **BY-753BN**



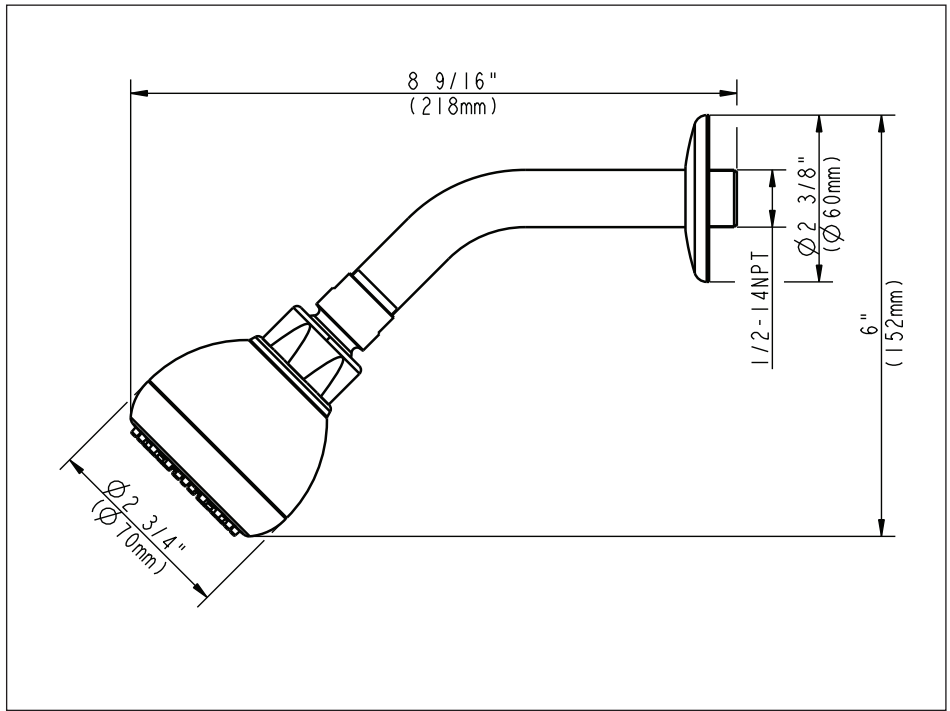
BY-7530RB

Universal Showerhead, Arm And Flange

No.	Name	Material
1	Shower Arm Flange	Brass
2	Shower Arm	Brass
3	Shower Head	Plastic



Product Spec Sheet



CALIFORNIA: TEL: 866-532-8306 FAX: 866-532-8307
TEXAS: TEL: 800-935-5456 FAX: 800-683-4247
NEW YORK: TEL: 800-431-2082 FAX: 800-640-2252

Visit Our Web Site : www.matco-norca.com