

- CL-900C**       **CL-900CJP**
- CL-900BN**       **CL-900BNJP**

## Two Handle Roman Tub Faucet

# Product Spec Sheet



### FEATURES & BENEFITS

- Metal Wing Handles
- Ceramic Cartridges
- Min Flow Rate 4.0 GPM(15.1 LPM) at 60 PSI (ASME.A112.18.1)

- CL-900C  
Chrome Finish
- CL-900BN  
Brushed Nickel Finish
- CL-900CJP  
Trim Kit For Roman Tub  
Chrome Finish
- CL-900BNJP  
Trim Kit For Roman Tub  
Brushed Nickel Finish

**APPROVALS:**  
Meets or Exceeds The Following:  
\* ANSI/ASME A112.18.1  
\* IAPMO/UPC



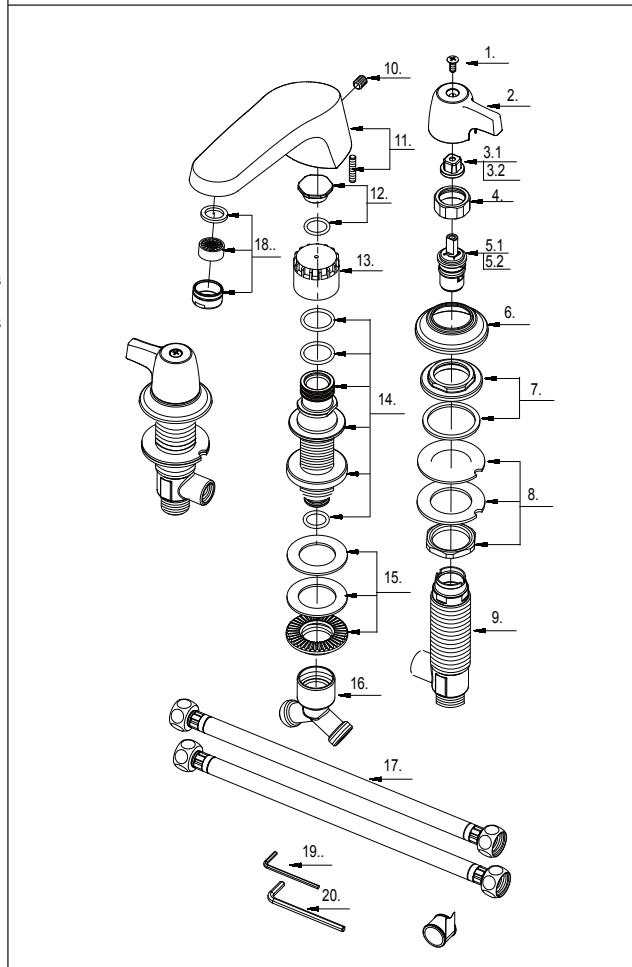
<b>CALIFORNIA:</b>	<b>TEL: 866-532-8306</b>	<b>FAX: 866-532-8307</b>
<b>TEXAS:</b>	<b>TEL: 800-935-5456</b>	<b>FAX: 800-683-4247</b>
<b>NEW YORK:</b>	<b>TEL: 800-431-2082</b>	<b>FAX: 800-640-2252</b>

**CL-900C**       **CL-900CJP**  
 **CL-900BN**     **CL-900BNJP**

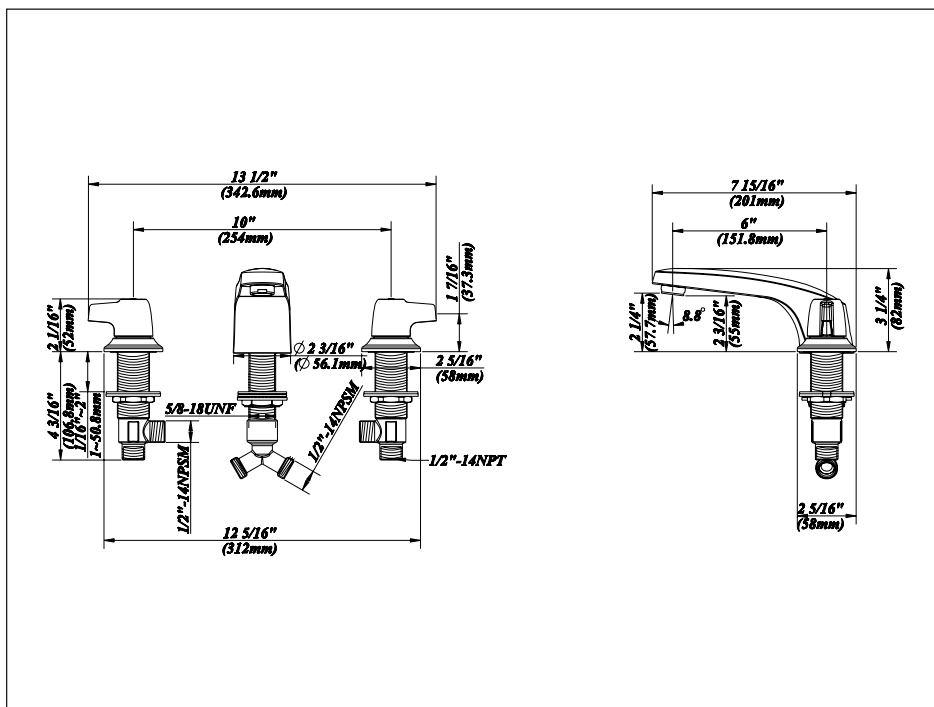


# Two Handle Roman Tub Faucet

No.	Name	Material
1	Screw (3/16" -24 * 7/16" L)	Stainless Steel
2	Metal Handle	Zinc Alloy
3.1	Handle Adapter-Cold	Plastic
3.2	Handle Adapter-Hot	Plastic
4	Retainer Nut	Brass
5.1	Ceramic Disc Cartridge-Cold	Ceramic & Brass
5.2	Ceramic Disc Cartridge-Hot	Ceramic & Brass
6	Handle Trim Ring	Zinc Alloy
7	Nut & Seal	Plastic & Brass
8	Mounting Hardware Assembly	Plastic & Brass
9	Handle Valve Body	Brass
10	Screw (5/16" -18 UNC-2B * 3/8" L)	Stainless Steel
11	Spout Set	Brass
12	Spout Plug	Brass
13	Spout Rough In Cap	Plastic
14	Spout Body	Brass
15	Mounting Hardware	Plastic & Brass
16	"Y" Adaptor	Brass
17	Supply Hose	Stainless Steel
18	Aerator	Plastic & Brass
19	Hex Wrench(H2.5 * 19 mm L * 53 mm L)	Stainless Steel
20	Hex Wrench (H4 * 20 mm L * 70 mm L)	Stainless Steel



Product Spec Sheet



**APPROVALS:**  
**Meets or Exceeds The Following:**  
 \* ANSI/ASME A112.18.1  
 \* IAPMO/UPC

**CALIFORNIA:** TEL: 866-532-8306 FAX: 866-532-8307  
**TEXAS:** TEL: 800-935-5456 FAX: 800-683-4247  
**NEW YORK:** TEL: 800-431-2082 FAX: 800-640-2252

Visit Our Web Site : [www.matco-norca.com](http://www.matco-norca.com)