

8" Two Handle Kitchen Faucet

Product Spec Sheet



FEATURES & BENEFITS

- This Product Contains Less Than 0.25% Weighted Average Lead Content On Wetted Surfaces
- Wrist Blade Handles
- Washerless Cartridges
- Max Flow Rate 2.2 GPM(8.4LPM) at 60 PSI (ASME.A112.18.1)

VE-200CB
Chrome Finish

APPROVALS:

Meets or Exceeds The Following:

- * ANSI/ASME A112.18.1
- * ANSI/NSF 61 – Sec. 9
- * IAPMO/UPC
- * CA AB1953



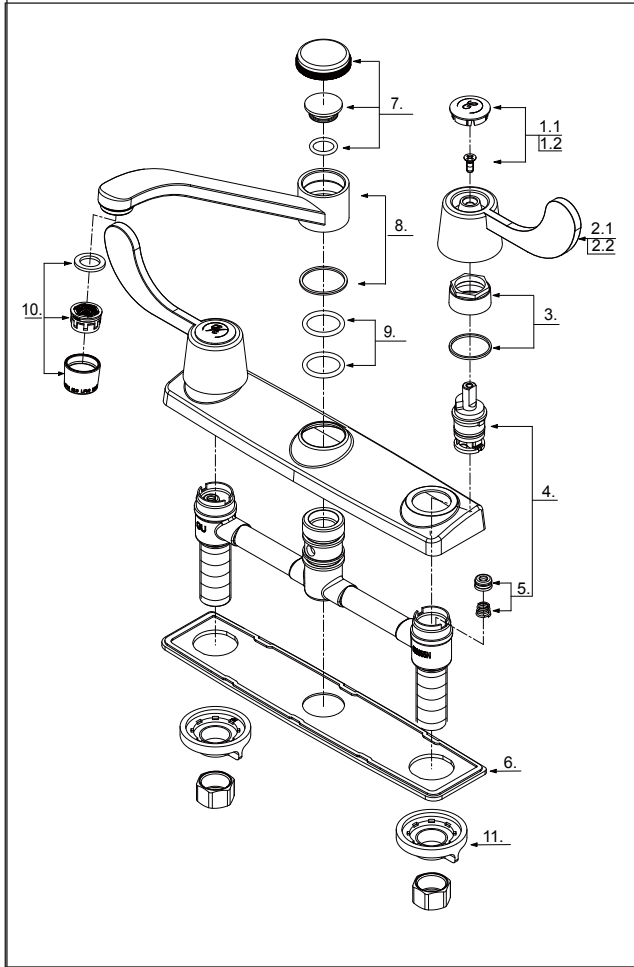
CALIFORNIA:
TEXAS:
NEW YORK:

TEL: 866-532-8306
TEL: 800-935-5456
TEL: 800-431-2082

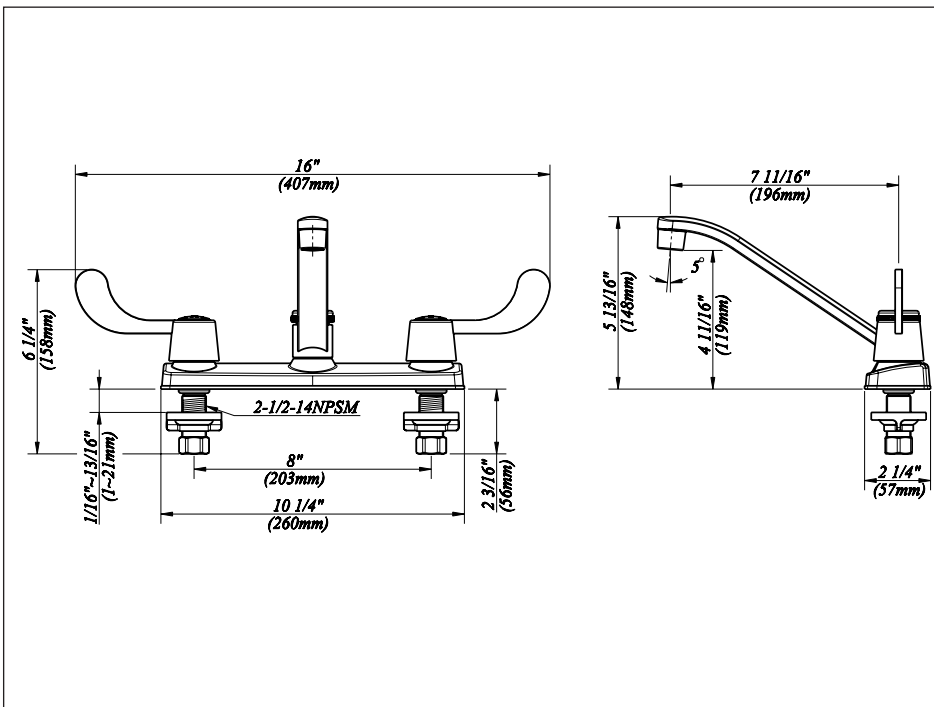
FAX: 866-532-8307
FAX: 800-683-4247
FAX: 800-640-2252

8" Two Handle Kitchen Faucet

No.	Name	Material
1.1	Index Button-Cold	Plastic
1.2	Index Button-Hot	Plastic
2.1	Metal Wrist Blade Handle-Cold	Zinc Alloy
2.2	Metal Wrist Blade Handle-Hot	Zinc Alloy
3	Retainer Nut Assembly	Zinc Alloy
4	Cartridge Assembly	Stainless Steel & Plastic
5	Seat & Spring Set *2	Stainless Steel & Plastic
6	Putty Plate	Plastic
7	Spout Trim Cap	Plastic
8	Spout Set	Brass
9	O-Ring Set (7/8" ID * 1-1/8" OD)	Rubber
10	Aerator	Brass& Plastic
11	Lock Nut Set	Plastic



Product Spec Sheet



APPROVALS:

Meets or Exceeds The Following:

- * ANSI/ASME A112.18.1
- * ANSI/NSF 61 – Sec. 9
- * IAPMO/UPC
- * CA AB1953

CALIFORNIA: TEL: 866-532-8306 FAX: 866-532-8307
TEXAS: TEL: 800-935-5456 FAX: 800-683-4247
NEW YORK: TEL: 800-431-2082 FAX: 800-640-2252