

Roman Tub Rough-in Valve

Product Spec Sheet



FEATURES & BENEFITS

RR-994

- Ceramic Cartridges

APPROVALS:

Meets or Exceeds The Following:

* ANSI/ASME A112.18.1

* IAPMO/UPC



CALIFORNIA:

TEL: 866-532-8306

FAX: 866-532-8307

TEXAS:

TEL: 800-935-5456

FAX: 800-683-4247

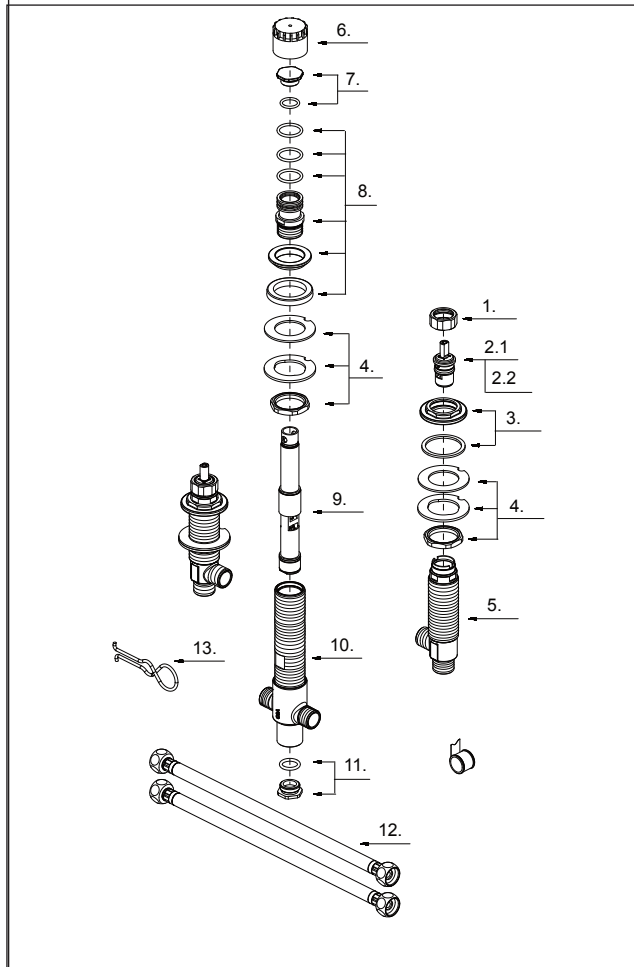
NEW YORK:

TEL: 800-431-2082

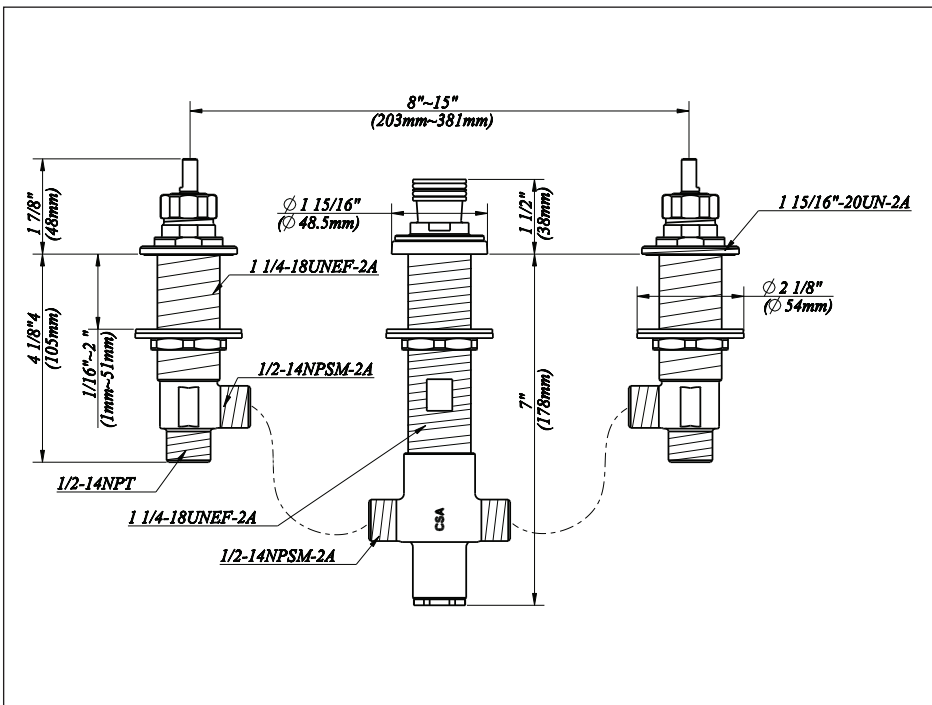
FAX: 800-640-2252

Roman Tub Rough-in Valve

No.	Name	Material
1	Retainer Nut	Brass
2.1	Ceramic Disc Cartridge-Cold	Ceramic & Brass
2.2	Ceramic Disc Cartridge-Hot	Ceramic & Brass
3	Lock Nut	Brass
4	Mounting Hardware	Brass & Stainless Steel
5	Handle Valve Body	Brass
6	Spout Rough In Cap	Plastic
7	Spout Plug	Brass
8	Spout Adaptor Assembly	Brass
9	Diverter w/Vacuum Breaker	Brass
10	Spout Valve Body	Brass
11	Plug	Brass
12	Supply Hose	Stainless Steel
13	Diverter Puller	Stainless Steel



Product Spec Sheet



APPROVALS:
 Meets or Exceeds The Following:
 * ANSI/ASME A112.18.1
 * IAPMO/UPC

CALIFORNIA: TEL: 866-532-8306 FAX: 866-532-8307
TEXAS: TEL: 800-935-5456 FAX: 800-683-4247
NEW YORK: TEL: 800-431-2082 FAX: 800-640-2252