

- CL-400C**
- CL-400CL**
- CL-400BN**

4" Two Handle Lavatory Faucet

Product Spec Sheet



FEATURES & BENEFITS

- This Product Contains Less Than 0.25% Weighted Average Lead Content On Wetted Surfaces
- Metal Wing Handles
- Washerless Cartridges
- Brass Pop-up
- Max Flow Rate 1.5 GPM(5.7 LPM) at 60 PSI (ASME.A112.18.1)

CL-400C
Chrome Finish

CL-400BN
Brushed Nickel Finish

CL-400CL
Less Pop-up
Chrome Finish

APPROVALS:
Meets or Exceeds The Following:

- * ANSI/ASME A112.18.1
- * ANSI/NSF 61 – Sec. 9
- * IAPMO/UPC
- * CA AB1953



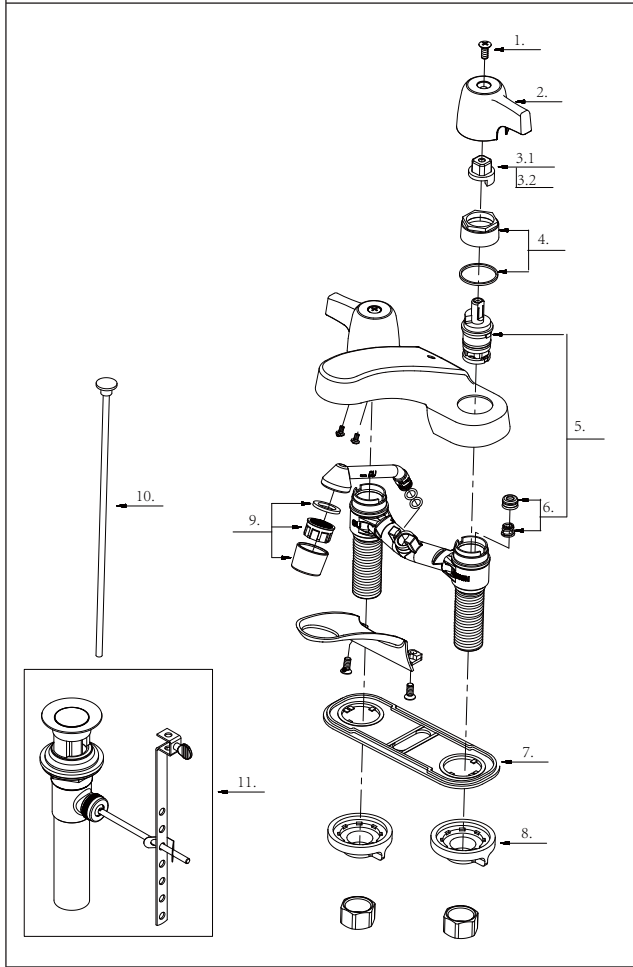
CALIFORNIA:	TEL: 866-532-8306	FAX: 866-532-8307
TEXAS:	TEL: 800-935-5456	FAX: 800-683-4247
NEW YORK:	TEL: 800-431-2082	FAX: 800-640-2252

CL-400C **CL-400CL**
 CL-400BN

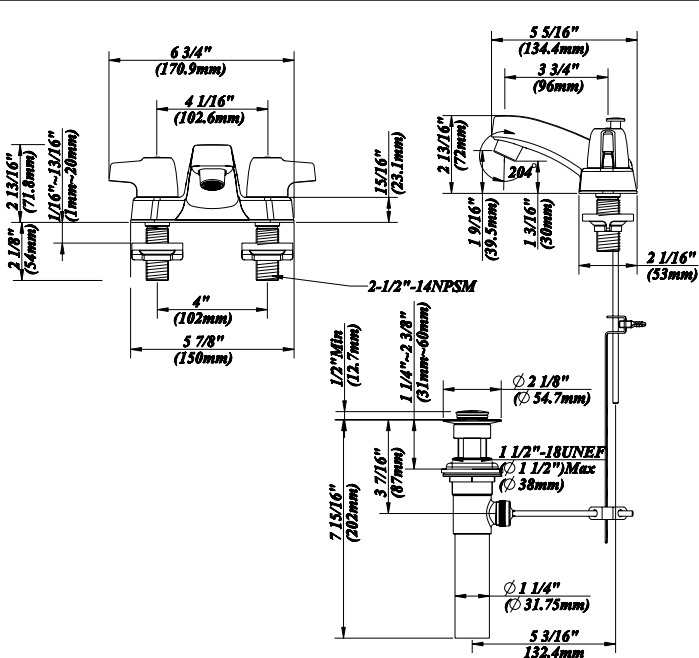


4" Two Handle Lavatory Faucet

No.	Name	Material
1	Screw (3/16" -24 * 7/16" L)	Brass
2	Metal Handle	Zinc Alloy
3.1	Handle Adapter-Cold	Plastic
3.2	Handle Adapter-Hot	Plastic
4	Retainer Nut & Washer	Brass & Plastic
5	Cartridge Assembly	Stainless Steel & Plastic
6	Seat & Spring Set *2	Stainless Steel & Plastic
7	Putty Plate	Plastic
8	Lock Nut Set	Brass
9	Aerator	Plastic & Brass
10	Lift Rod	Brass
11	Pop-up Assembly	Brass



Product Spec Sheet



APPROVALS:

Meets or Exceeds The Following:

- * ANSI/ASME A112.18.1
- * ANSI/NSF 61 – Sec. 9
- * IAPMO/UPC
- * CA AB1953

CALIFORNIA: TEL: 866-532-8306 FAX: 866-532-8307
TEXAS: TEL: 800-935-5456 FAX: 800-683-4247
NEW YORK: TEL: 800-431-2082 FAX: 800-640-2252

Visit Our Web Site : www.matco-norca.com