

CL-130C **CL-130SS**



8" Single Handle Kitchen Faucet

Product Spec Sheet



FEATURES & BENEFITS

- This Product Contains Less Than 0.25% Weighted Average Lead Content On Wetted Surfaces
- Metal Lever Handle
- Stainless Steel Ball Valve
- Max Flow Rate 2.2 GPM(8.4 LPM) at 60 PSI (ASME.A112.18.1)

CL-130C
Chrome Finish

CL-130SS
Stainless Steel Finish

APPROVALS:

Meets or Exceeds The Following:

- * ANSI/ASME A112.18.1
- * ANSI/NSF 61 – Sec. 9
- * IAPMO/UPC
- * CA AB1953



CALIFORNIA:
TEXAS:
NEW YORK:

TEL: 866-532-8306
TEL: 800-935-5456
TEL: 800-431-2082

FAX: 866-532-8307
FAX: 800-683-4247
FAX: 800-640-2252

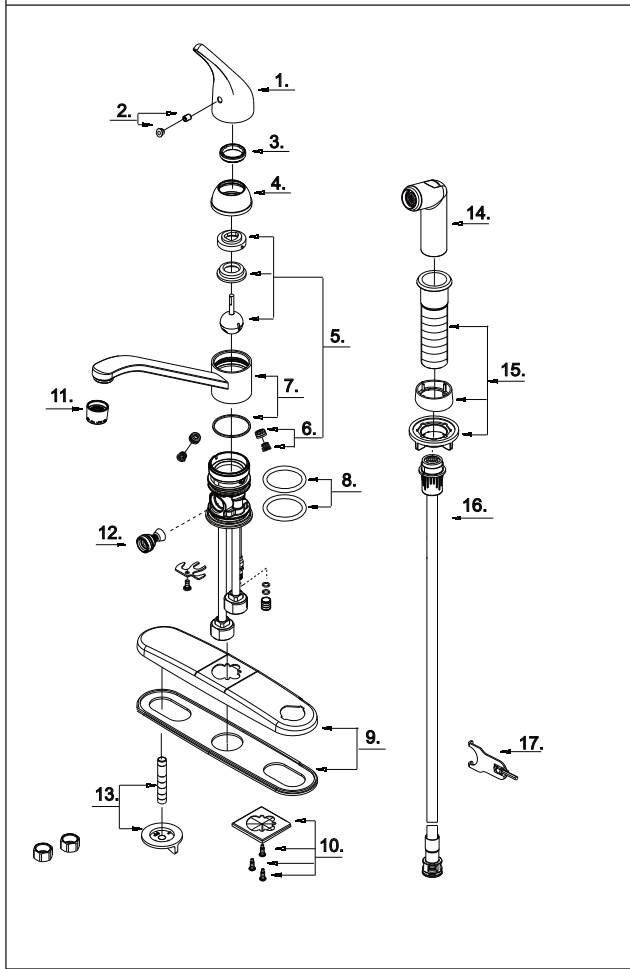
Visit Our Web Site : www.matco-norca.com

□ **CL-130C** □ **CL-130SS**

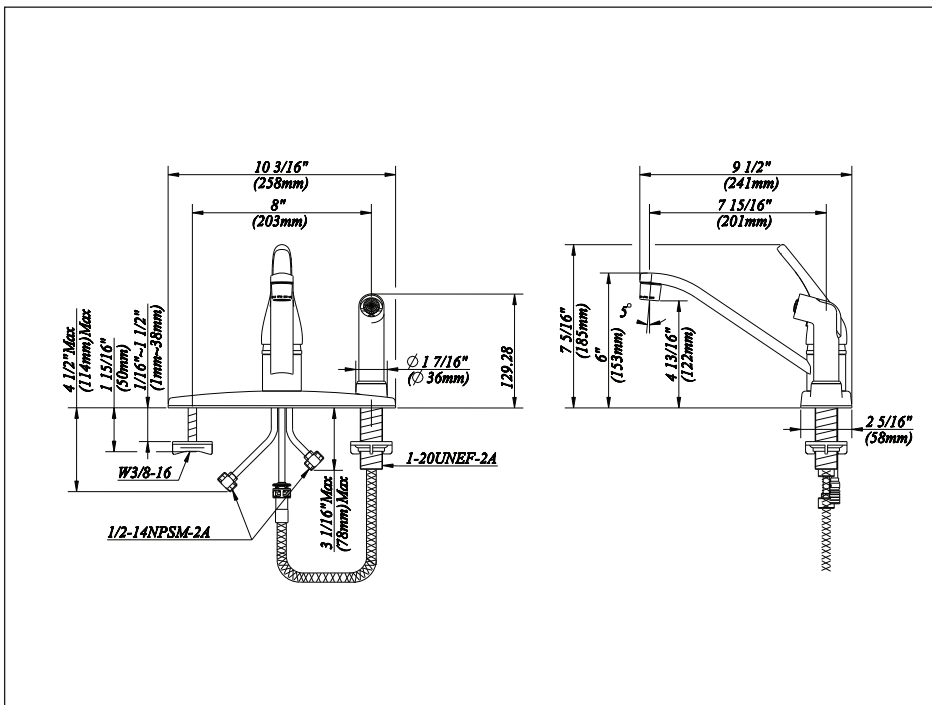


8" Single Handle Kitchen Faucet

No.	Name	Material
1	Metal Handle	Zinc Alloy
2	Index Button-Cold/Hot	Plastic
3	Locking Nut	Brass
4	Trim Cap	Zinc Alloy
5	Ball Valve Assembly	Plastic & Stainless Steel
6	Seat & Spring Set	Plastic & Stainless Steel
7	Spout Set	Brass
8	O-Ring Set (1-1/4" ID * 1-1/2" OD)	Rubber
9	Cover Plate & Putty Plate	Zinc Alloy & Plastic
10	Base Mounting Hardware	Stainless Steel
11	Aerator	Plastic & Brass
12	Spray Diverter w/Vacuum Breaker	Plastic
13	Mounting Hardware	Plastic & Stainless Steel
14	Side Spray	Plastic
15	Spray Holder Assembly (3-5/16" L)	Plastic
16	Spray Hose	Plastic
17	Wrench	Stainless Steel



Product Spec Sheet



APPROVALS:
Meets or Exceeds The Following:

- * ANSI/ASME A112.18.1
- * ANSI/NSF 61 – Sec. 9
- * IAPMO/UPC
- * CA AB1953

CALIFORNIA: TEL: 866-532-8306 FAX: 866-532-8307
TEXAS: TEL: 800-935-5456 FAX: 800-683-4247
NEW YORK: TEL: 800-431-2082 FAX: 800-640-2252

Visit Our Web Site : www.matco-norca.com