



## Installation Instructions

5693000C

\*Do not throw away or lose this manual.

**GR30** 3" Discharge guide rail system  
(Fits LE70, LE100, LEH100, LEH150 and LEH200-Series Pumps)

**GR22-LE** 2" Discharge guide rail system  
(Fits LE70, LE100, LEH100, LEH150 and LEH200-Series Pumps)

**GR22-FL** 2" Discharge guide rail system  
(Fits FL100, FL150 and FL200-Series Pumps)

**GR22-S** 2" Discharge guide rail system  
(Fits LE40, LE50 - Series Pumps)

### Features:

- Heavy duty cast iron construction
- Accommodates single 1-1/4" rail and 2" or 3" discharge pipe depending on model
- Auto-alignment feature
- Upper rail support bracket
- Includes sealing grommet



7000 Apple Tree Avenue  
Bergen, NY 14416  
Phone: (800) 543-2550  
Fax: (585) 494-1839  
[www.libertypumps.com](http://www.libertypumps.com)

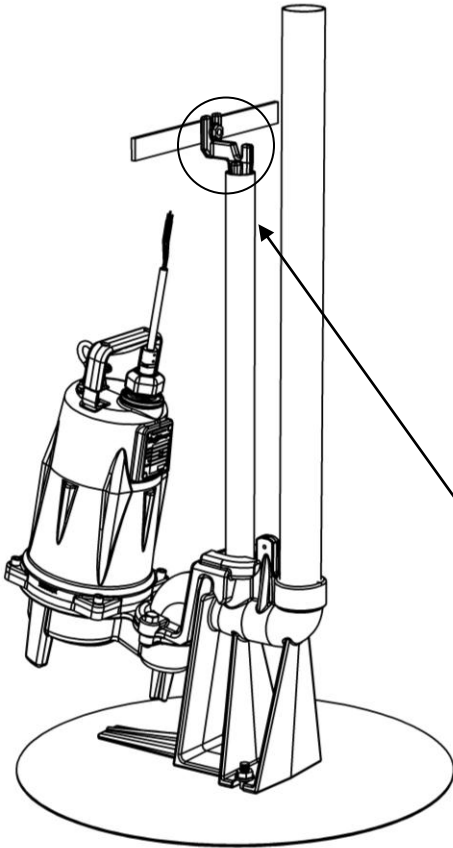
**IMPORTANT:** All Liberty Pump models are supplied with their own separate Installation/Operation/Maintenance manuals. Ensure that you have received these manuals, and that you read and understand them prior to installing this unit. If you have any questions, call Liberty Pumps customer service at (800) 543-2550.

## GR22 and GR30 Assembly

The GR22 or GR30 quick disconnect assembly provides easy installation and removal of the pump. When installed correctly it will seal and provide support for the pump. Please ensure that installation is done as per the diagrams below.

The rail system comes in three parts:

- 1) **Base:** This is the large casting that is mounted to the floor of the pumping chamber or vault. ½" studs are recommended spaced at 5.5" apart.
- 2) **Pump mounting claw:** Liberty offers three different pump mounting claws. The LE claw and GR30 claw have a larger flange and fits LE70-Series, LE100-Series, LEH100-Series, LEH150-Series and LEH200-Series sewage pumps. The FL claw mates to FL100-Series, FL150-Series and FL200-Series effluent pumps. Both GR22-LE and GR22-FL claws are threaded 2" FNPT for optional mounting applications. The GR22-S claw has a 2" NPT male thread for pumps with threaded discharges.
- 3) **Support bracket:** A small casting is supplied and is used to support the top end of the 1-1/4" guide rail pipe (pipe not included). This casting needs to be mounted to a support structure, bar stock, angle iron, or other means that attaches to the side walls of the vault. Note, heavy guide rail pipe 1-1/4" Galvanized or Stainless Steel is recommended.



All the claws have a sealing grommet attached to it that provides the seal between the claw and base unit. This seal requires no maintenance. On GR30, GR22-LE, AND GR22-FL a gasket should be used between the claw and pump – **the gasket and mounting hardware are provided with the pump.** The stock flange that is shipped with the pump should be removed and replaced with the claw.

The GR22-S features a split design for pumps without a flange. The threaded base can be screwed into the pump's discharge and then the claw and gasket can be mounted.

