

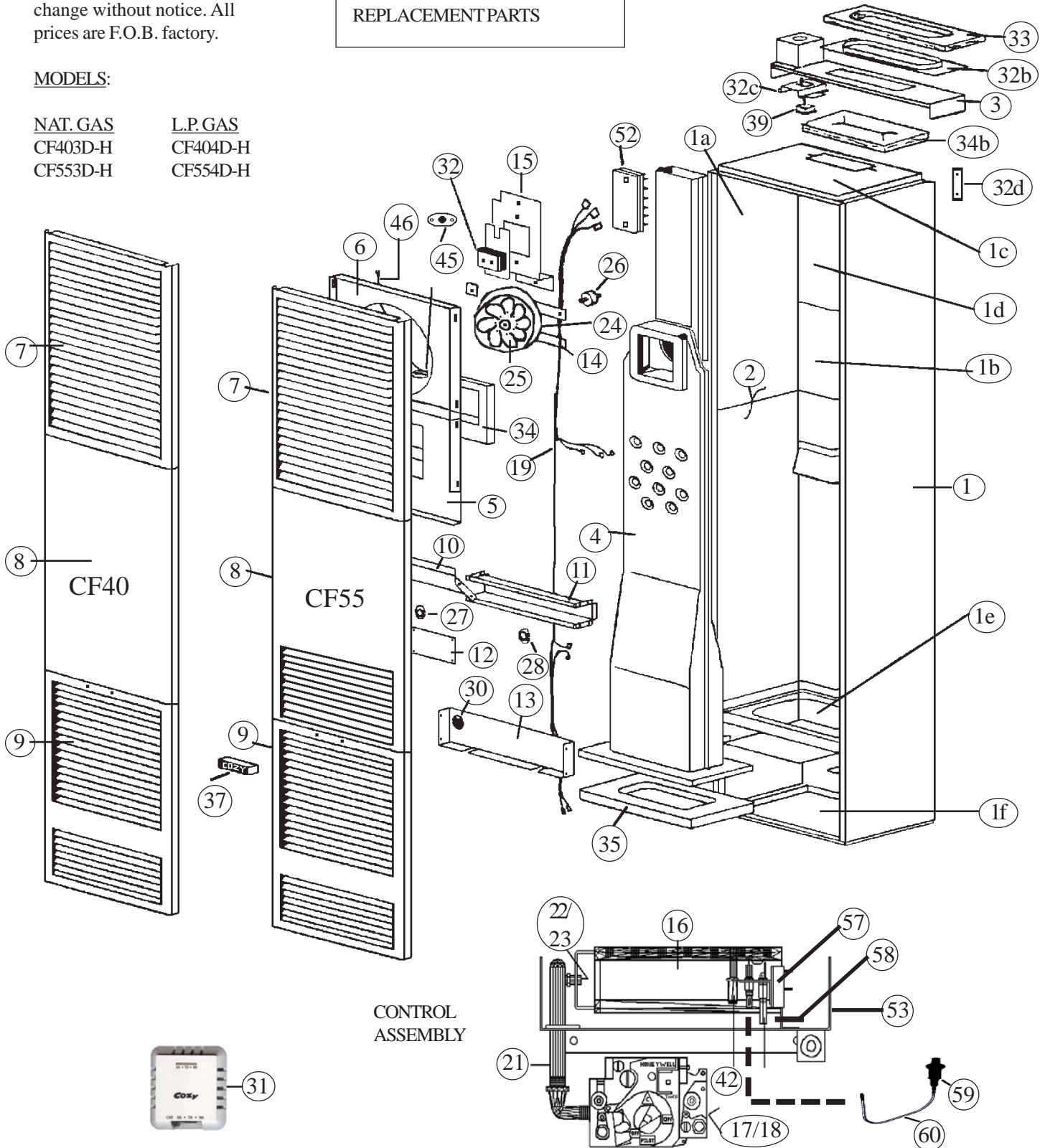
COUNTERFLOW WALL FURNACE / STANDING PILOT

Prices and specifications subject to change without notice. All prices are F.O.B. factory.

USE ONLY FACTORY SUPPLIED REPLACEMENT PARTS

MODELS:

| | |
|----------|----------|
| NAT. GAS | L.P. GAS |
| CF403D-H | CF404D-H |
| CF553D-H | CF554D-H |



CONTROL ASSEMBLY

ATTN: Contractors and Service Technicians, we only sell parts through our wholesalers, but the prices listed are for your convenience. For prompt parts service, contact the wholesaler from which you purchased your Cozy heater. NOTE: Parts & schematic drawings on current models are shown at www.cozyheaters.com.

HOW TO PROPERLY ORDER PARTS: In addition to part description and part number, please give model number, serial number, and type of gas used. This information can be found on the rating plate that is attached to heater.

| 24 VOLT SYSTEM WITH LOW-B.T.U. STANDING PILOT | | | | | |
|--|----------------|----------------------|---------------|----------------------|---------------|
| MODEL NUMBER | NATURAL | CF403D-H CF404D-H | | CF553D-H CF554D-H | |
| | REF. NUMBER | PART NUMBER | LIST PRICE | PART NUMBER | LIST PRICE |
| Casing Side, Right | 1 | 30325 | | 30525 | |
| Casing Side, Left | 1a | 30330 | | 30530 | |
| Center Back Assembly | 1b | 30364 | | 30544 | |
| Top Assembly | 1c | 30025 | | 30025 | |
| Upper Back Assembly | 1d | 30070 | | 30070 | |
| Lower Back Assembly | 1e | 30219 | | 30219 | |
| Bottom | 1f | 30246 | | 30246 | |
| Liner Assembly | 2 | 30370 | | 30550 | |
| Header Assembly Complete | 3 | 31399 | | 31399 | |
| Heat Exchanger Assembly | 4 | 30378 | | 30577 | |
| Draft Diverter Assembly | 5 | 30400 | | 30400 | |
| Fan Shroud Assembly | 6 | 30200 | | 30200 | |
| Top Louver w/Insulation | 7 | 30087 | | 30087 | |
| Center Front Panel w/Insulation | 8 | 30359 | | 30534 | |
| Bottom Louver Assembly w/Insulation | 9 | 30100 | | 30100 | |
| Upper Front Shield | 10 | 30250 | | 30250 | |
| Switch Box | 11 | 30450 | | 30450 | |
| Switch Box Cover | 12 | 30253 | | 30253 | |
| Lower Front Shield | 13 | 30256 | | 30256 | |
| Motor Mounting Bracket | 14 | *30079 | | *30079 | |
| Junction Box Cover | 15 | 30033 | | 30033 | |
| Burner | 16 | 72107 | | 72107 | |
| Valve, VR8200H-1004 Natural Gas w/78089 Dis. Bushing | 17 | 78090 | | 78090 | |
| Valve, VR8200H-1103 L.P. GAS w/78089 Dis. Bushing | 18 | 78091 | | 78091 | |
| Disappearing Bushing 1/2 x 3/8 | -- | 78089 | | 78089 | |
| Wiring Harness | 19 | 78251 | | 78252 | |
| Manifold | 21 | 78006 | | 78006 | |
| Orifice,NATURAL | 22 | 72147 | | 78161 | |
| Orifice, L.P. | 23 | 72149 | | 78168 | |
| Fan Motor | 24 | 78111 | | 78111 | |
| Fan Blade | 25 | 78101 | | 78101 | |
| Rubber Grommet (Requires 4) | 26 | **78010 | | **78010 | |
| Limit Switch 60T11-L180 | 27 | 78065 | | 78065 | |
| Fan Switch 60T12-F120 | 28 | 78067 | | 78067 | |
| Speed Switch 60T13-F160-30 | 29 | 78066 | | 78066 | |
| Auxiliary Limit Switch 60T15-L350 | 30 | 78086 | | 78086 | |
| Thermostat 24 Volt | 31 | 78355 | | 78355 | |
| Transformer | 32 | 78069 | | 78069 | |
| Flue Pipe Adapter | 32b | 40061 | | 40061 | |
| Plug Bracket | 32c | 30047 | | 30047 | |
| Casing Mounting Brackets | 32d | *30260 | | *30260 | |
| Flue Pipe Gasket - 4x8-7/16" | 33 | 78050 | | 78050 | |
| Draft Diverter Gasket - 7x8" | 34 | 78051 | | 78051 | |
| Casing Top Gasket - 8-1/2x4-1/2" | 34b | 78155 | | 78155 | |
| Element Support Gasket - 9-1/2x14-1/4" | 35 | 78052 | | 78052 | |
| Pilot,NAT. 0.140.512 | 36 | 72020 | | 72020 | |
| Pilot, L.P.. 0.140.502 | 36 | 72021 | | 72021 | |
| Cozy Handle | 37 | 84003 | | 84003 | |
| Power Cord | 38 | 78213 | | 78213 | |
| Snap-in Outlet | 39 | 78058 | | 78058 | |
| Thermostat Wire | 41 | 74518 | | 74518 | |
| Thermocouple Q309A1954 | 42 | 78095 | | 78095 | |
| Insulated Staples | 43 | 74209 | | 74209 | |
| Door Catch | 44 | 80005 | | 80005 | |
| Blocked Flue Switch | 45 | 78107 | | 78109 | |
| Blocked Flue Switch Wire | 46 | 78230 | | 78230 | |
| Terminal Board | 52 | 78300 | | 78300 | |
| Pilot Tubing w/Fittings - 16" | -- | 78452 | | 78452 | |
| Piezo Sparker | 59 | 80016 | | 80016 | |
| Electrode Wire | 60 | 72022 | | 72022 | |
| Burner Pan Assembly | 53 | 30286 | | 30286 | |
| Valve Support Bracket Assembly | -- | 30290 | | 30290 | |
| Pilot Mounting Bracket | 57 | 30299 | | 30299 | |
| Burner Mounting Plate | 58 | 30296 | | 30296 | |
| Lighting Instructions "CF" | -- | 91272 | | 91272 | |

ATTN: Contractors and Service Technicians, we only sell parts through our wholesalers, but the prices listed above are for your convenience. For prompt parts service, contact the wholesaler from which you purchased your Cozy heater. **NOTE:** Parts & schematic drawings on current models are shown at www.cozyheaters.com.