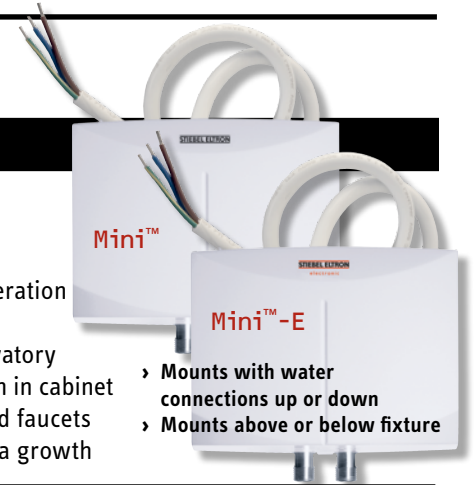


Mini™ & Mini™-E Tankless Electric Water Heaters

- › Compact point-of-use model for warm water hand washing at a sink
- › Thermostatic models and mechanical models available

Features

- › Continuous supply of warm water on demand
- › High limit switch with manual reset
- › Easy installation 3/8" O.D. flex connections
- › Engineered in Germany to be the best
- › Exclusive design prevents dry firing
- › No T & P relief valve needed (Check local code)
- › 7 year leakage/3 year parts warranty
- › Comes complete with wire pigtail
- › Advanced Nichrome wire heating element
- › Correctly sized aerator supplied with unit
- › No standby heat loss with tankless design
- › 99% efficiency
- › Flow switch activated for virtually silent operation
- › Mounts on wall at point-of-use
- › Cold water only line needed to be run to lavatory
- › Compact and designed to be visible or hidden in cabinet
- › Compatible with sensor actuated or metered faucets
- › Tankless design prevents Legionella bacteria growth



- › Mounts with water connections up or down
- › Mounts above or below fixture

Applications

Commercial > Industrial > Institutional

- › Office buildings
- › Stores
- › Malls
- › Warehouses
- › Gas stations
- › Schools
- › Hotels/Motels
- › Restaurants
- › Manufacturing facilities
- › Commercial condominiums

Residential

- › Bathroom sinks
- › Kitchen sinks
- › Laundry areas
- › Cabins/cottages

Mini™-E is a code-compliant thermostatic model with electronically controlled output temperature.

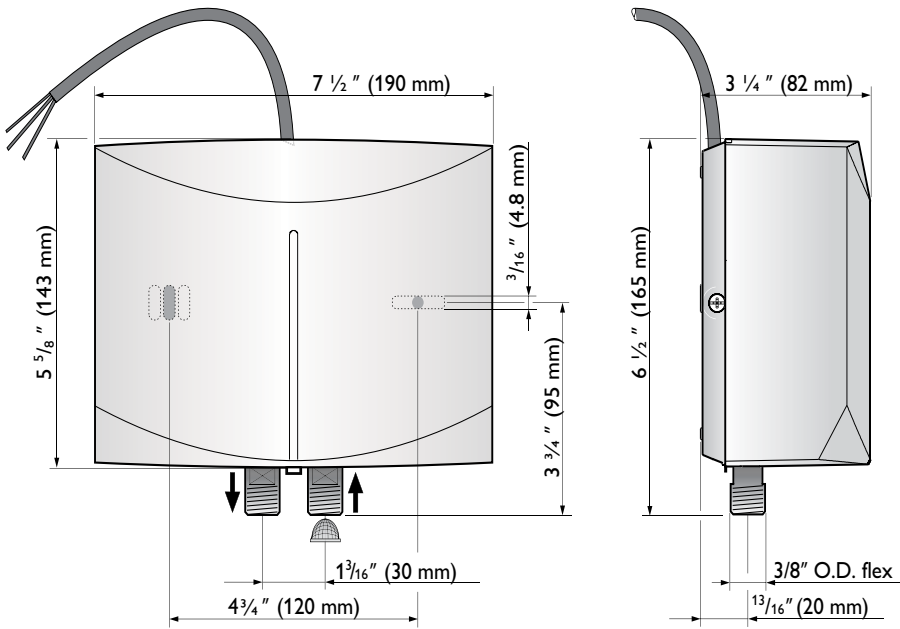
Models

Model	Phase	Voltage	kW	Amps	Circuit Breaker	Minimum Wire Size	Temperature Rise °F (GPM = kW x 6.83 / Δt)			
							0.32 GPM	0.50 GPM	0.75 GPM	1.00 GPM
Mini™ & Mini™-E 2-1	single	120 V	1.8 kW	15 A	15 A	14 AWG	42	-	-	-
Mini™ & Mini™-E 2.5-1	single	120 V	2.4 kW	20 A	20 A	12 AWG	-	33	-	-
Mini™ & Mini™-E 3-1	single	120 V	3.0 kW	25 A	25 A	10 AWG	-	41	-	-
Mini™ & Mini™-E 3.5-1	single	120 V	3.5 kW	29 A	30 A	10 AWG	-	48	32	-
Mini™ & Mini™-E 4-2	single	240 V	3.5 kW	14.6 A	15 A	14 AWG	-	48	32	-
	single	208 V	2.6 kW	12.7 A	15 A	14 AWG	-	37	25	-
Mini™ & Mini™-E 6-2	single	240 V	5.7 kW	23.8 A	25 A	10 AWG	-	-	-	39
	single	208 V	4.3 kW	20.6 A	25 A	10 AWG	-	-	-	32
Model Part Number		Mini™ 2-1 231045	Mini™ 2.5-1 232098	Mini™ 3-1 220816	Mini™ 3.5-1 232099	Mini™ 4-2 222039	Mini™ 6-2 220817			
		Mini™-E 2-1 236011	Mini™-E 2.5-1 236135	Mini™-E 3-1 236010	Mini™-E 3.5-1 236136	Mini™-E 4-2 236009	Mini™-E 6-2 236008			
Weight (lbs/kg)		3.44 / 1.56	3.44 / 1.56	3.44 / 1.56	3.44 / 1.56	3.44 / 1.56	3.44 / 1.56			
Min. flow to activate (gpm / l/min)	Mini™ Mini™-E	0.21 / 0.8 0.21 / 0.8	0.40 / 1.5 0.30 / 1.15	0.40 / 1.5 0.30 / 1.15	0.40 / 1.5 0.30 / 1.15	0.40 / 1.5 0.30 / 1.15	0.77 / 2.9 0.30 / 1.15			
Operating Pressure		Min. 30 psi, Max. 150 psi								
Dimensions (in / mm)		HEIGHT 6½"(165 mm) x WIDTH 7½"(190 mm) x DEPTH 3¼"(82 mm)								
Cover Material and Color		White ABS								
Pressure compensating flow reducer/aerator supplied with unit		0.5 gpm	0.5 gpm	0.5 gpm	0.66 gpm	0.66 gpm	1.0 gpm*			

- › Mini™ models suitable for inlet cold water supply only.
- › Mini™-E models suitable for supply inlet max. 122°F.
- › Mini™ 2-1 internally restricted to 0.32 GPM
- › Mini™-E 2-1 internally restricted to 0.40 GPM

*Mini™-E 6-2 supplied with two 0.5 gpm aerators. Substitute 1.0 gpm aerator if installed at a single sink.

Dimensions



Intertek

Certified to ANSI/UL Std. 499

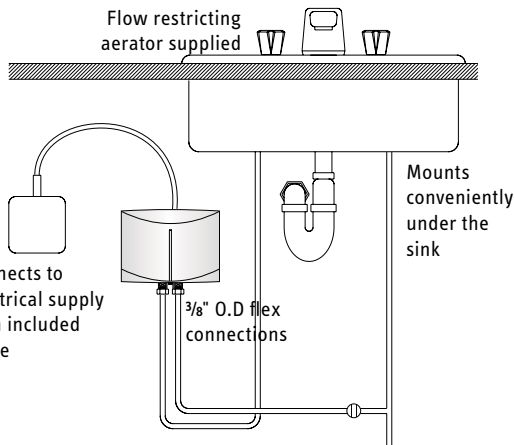
Conforms to CAN/CSA

E335-1 & E335-2-35

ISO 9001
CERTIFIED



Tested and certified by WQA against NSF/ANSI 372 for lead free compliance.



- Suitable for warm water hand washing at a single sink
- Mini™ models suitable for inlet cold water supply only.
- Mini™-E models suitable for supply inlet max. 105°F.

Specification

The tankless electric water heater shall be equipped with a bare wire nichrome type heating element housed in fiberglass reinforced high temperature plastic containment. The housing of the unit shall be made of high impact polycarbonate plastic. The flow switch that operates the heating element shall be of the mechanical pressure differential type. The unit shall be equipped with a safety high-limit switch with manual reset. The water connections shall be designed for standard 3/8" O.D. flexible braided stainless steel hose type connectors. The unit shall be mounted with water connections facing either top or bottom only. The units shall ship with a AWG #12 wire harness with a length of 2 ft. The unit shall conform to ANSI ANSI/UL Std. 499 and be certified to CAN/CSA E335-1 & E335-2-35.

Engineer/Architect _____	Date _____
Job Name/Customer _____	Location _____
Contractor _____	Representative _____
	Qty kW Voltage Amps GPM
Mini™ model _____	_____