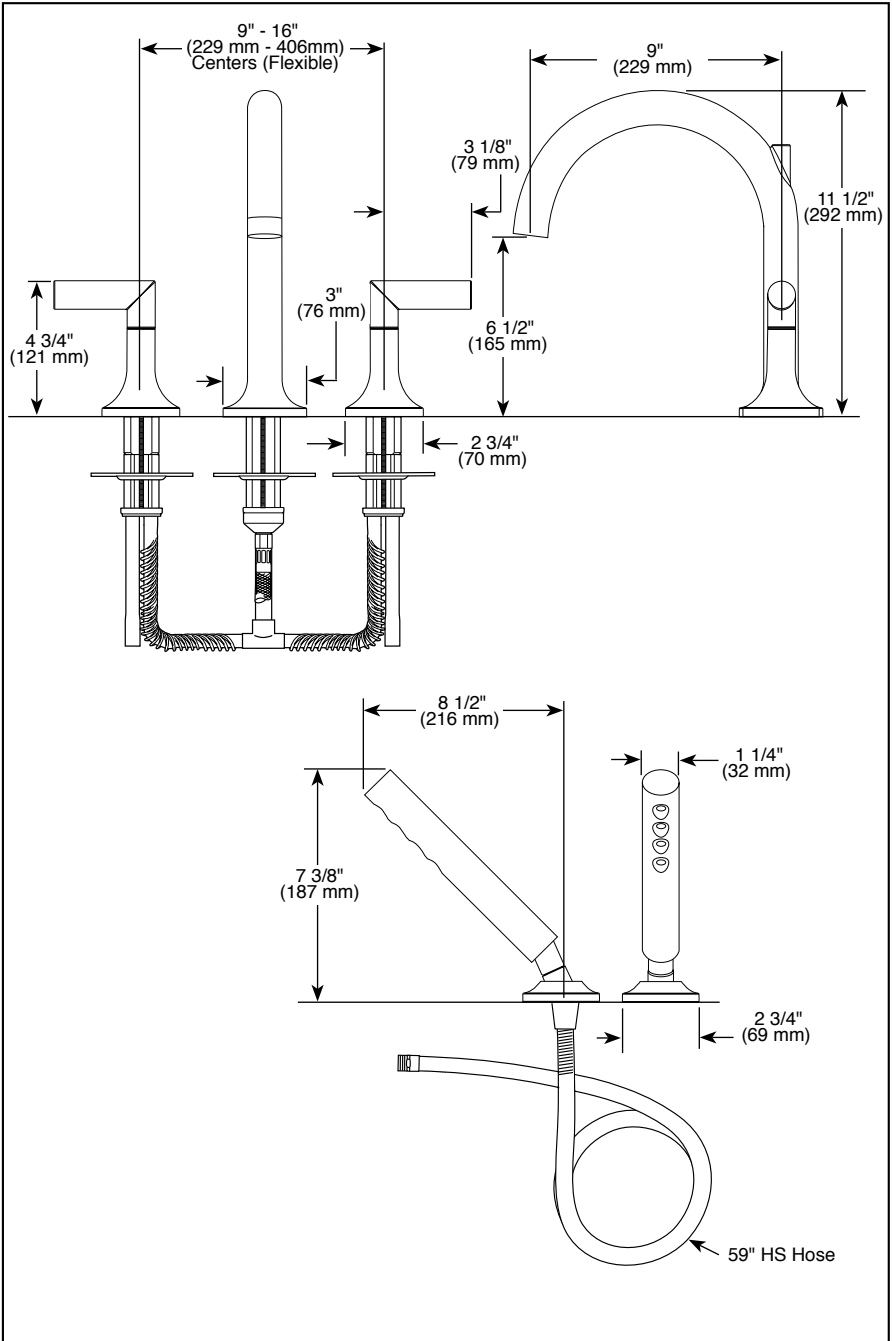


Submitted Model No.: \_\_\_\_\_  
 Specific Features: \_\_\_\_\_



▲ Designate proper finish suffix

# BRIZO®

## ROMAN TUB/WHIRLPOOL FAUCET TRIM

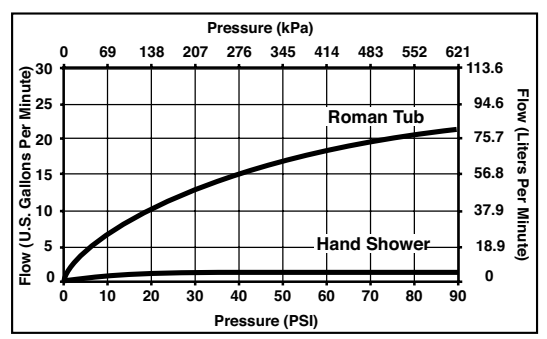
- Odin™ Bath Collection
- Three Hole Installation (T67375)
- Four Hole Installation (T67475)
- Rough-In Kit Must Also be Ordered to Complete Installation (R64707 for four hole and R62707 for three hole)

- STANDARD SPECIFICATIONS:**
- Trim Only for two handle Roman Tub faucet for concealed mounting.
  - 9" (229 mm) long, 11 1/2" (292 mm) high slip-on rigid spout.
  - Temperature and volume controlled with handles.
  - Rough-In kit must also be ordered to complete installation (R64707 for four hole and R62707 for three hole). There are separate specification sheets on each rough-in kit if more details are required.
  - Handshower includes double check valves for backflow prevention (T67475).
  - Handshower flows 2.0 gpm @ 80 psi.
  - Minimum 4 1/2" (114 mm) to maximum 10" (254 mm) distance between holes.
  - Accommodates up to 2 1/2" deck thickness.

- WARRANTY**
- Lifetime Faucet and Finish Limited Warranty to the original consumer purchaser to be free from defects in material and workmanship.
  - 5 Year Limited Warranty for usage in all industrial, commercial and business applications.



- COMPLETE VALVE COMPLIES WITH:**
- ASME A112.18.1 / CSA B125.1
  - ☐ Indicates compliance to ICC/ANSI A117.1



Delta reserves the right (1) to make changes in specifications and materials, and (2) to change or discontinue models, both without notice or obligation. Dimensions are for reference only. See current full-line price book or www.brizo.com for finish options and product availability.  
 BSP-B-T67375 Rev. A