

**CUSTOMER SERVICE**

**TOLL-FREE 1-888-OK-ULTRA (658-5872)**

**<http://www.ultrafaucets.com>**



## Installation/Installation/Instalación

### Twist Series

Two Handle Roman Tub Faucet  
w/Hand Shower



#### Tools You Will Need / Outils dont vous aurez besoin / Herramientas necesarias



Adjustable Wrench

Clé à molette

Llave ajustable



Pipe Tape

Ruban pour tuyau

Cinta selladora para rosca



Groove join pliers

Pince multiprise

Pinzas ajustables

#### SAFETY TIPS

- If you use soldering for the installation of the faucet, the seats, cartridges and washers will have to be removed before using flame. Otherwise, warranty will be void on those parts.
- Cover your drain to avoid losing parts.
- 0°C~55°C

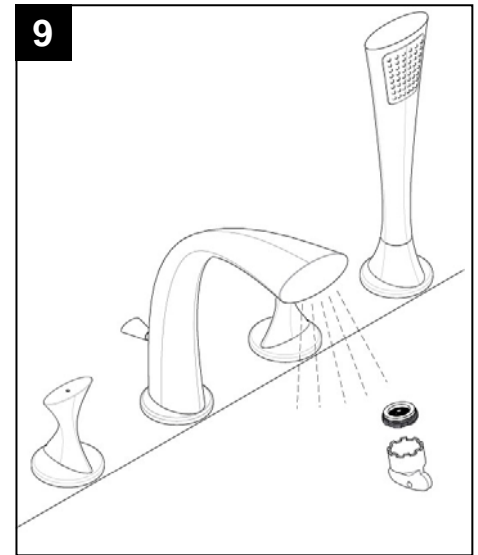
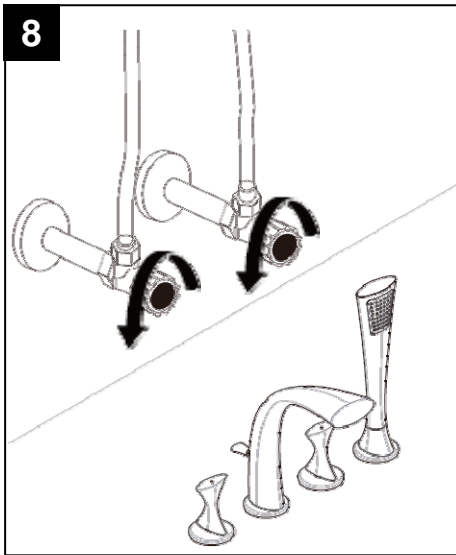
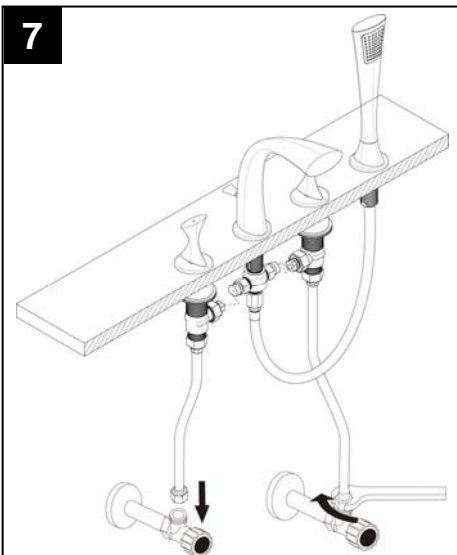
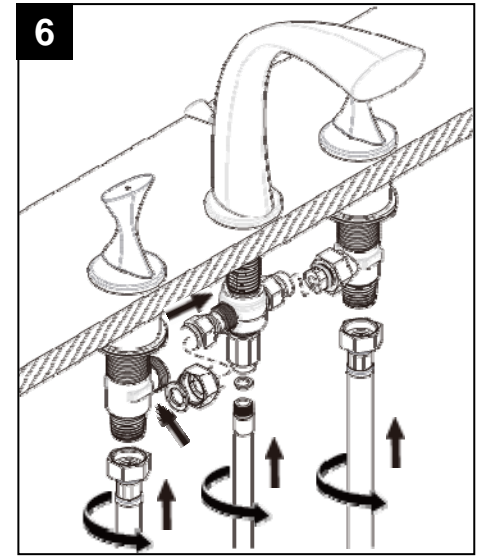
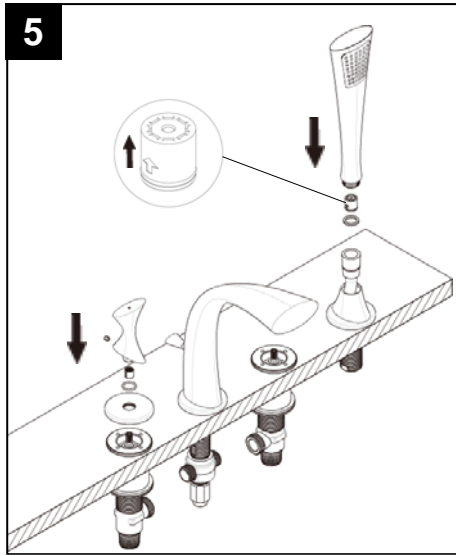
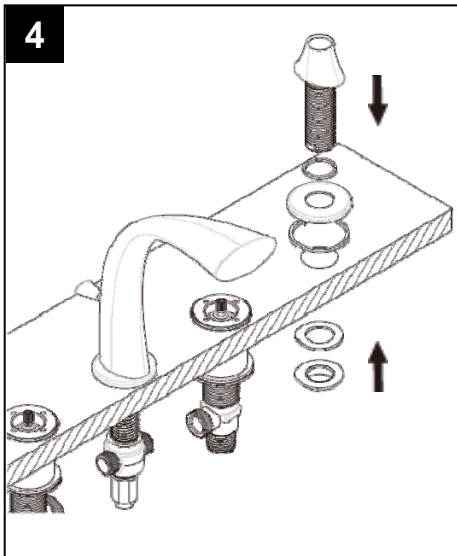
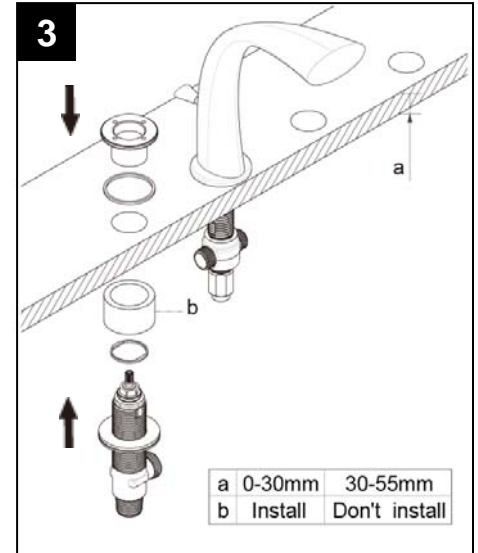
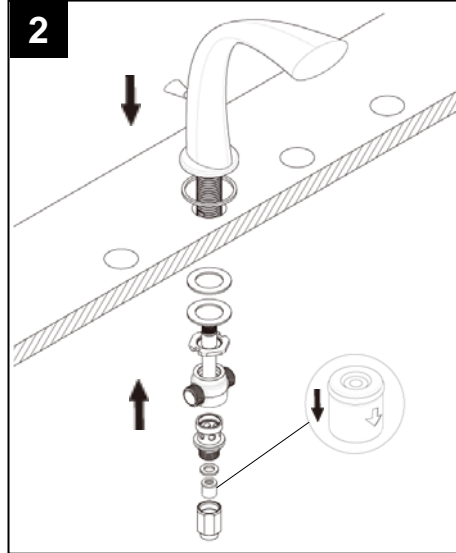
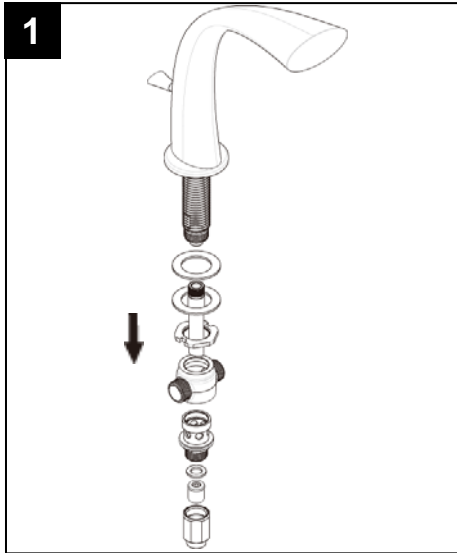
#### CONSIGNES DE SÉCURITÉ

- Si vous posez le robinet par brasage, il est essentiel de retirer les sièges, les cartouches et les rondelles avant d'appliquer la flamme, faute de quoi la garantie sur ces pièces sera annulée.
- Couvrez le drain pour ne pas perdre des pièces.
- 0°C~55°C

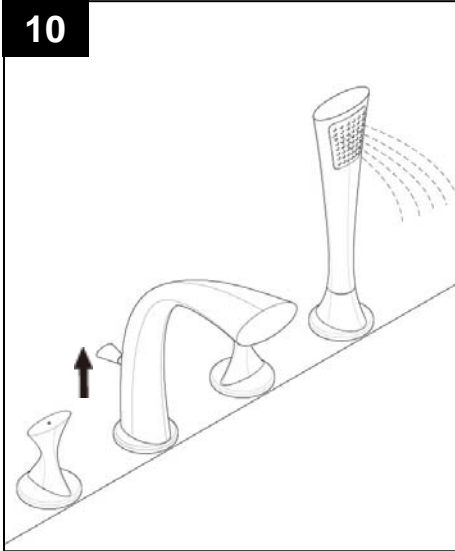
#### CONSEJOS DE SEGURIDAD

- En el caso de utilizar soldadura para instalar el grifo, remueva los asientos, cartuchos y arandelas antes de usar la llama. De lo contrario, se anulará la garantía para esos componentes.
- Tape la boca del desagüe para prevenir la pérdida de piezas pequeñas.
- 0°C~55°C

## **Installation/Installation/Instalación**



## Installation/Installation/Instalación



## Trouble-Shooting / Dépannage / Guía de solucionar

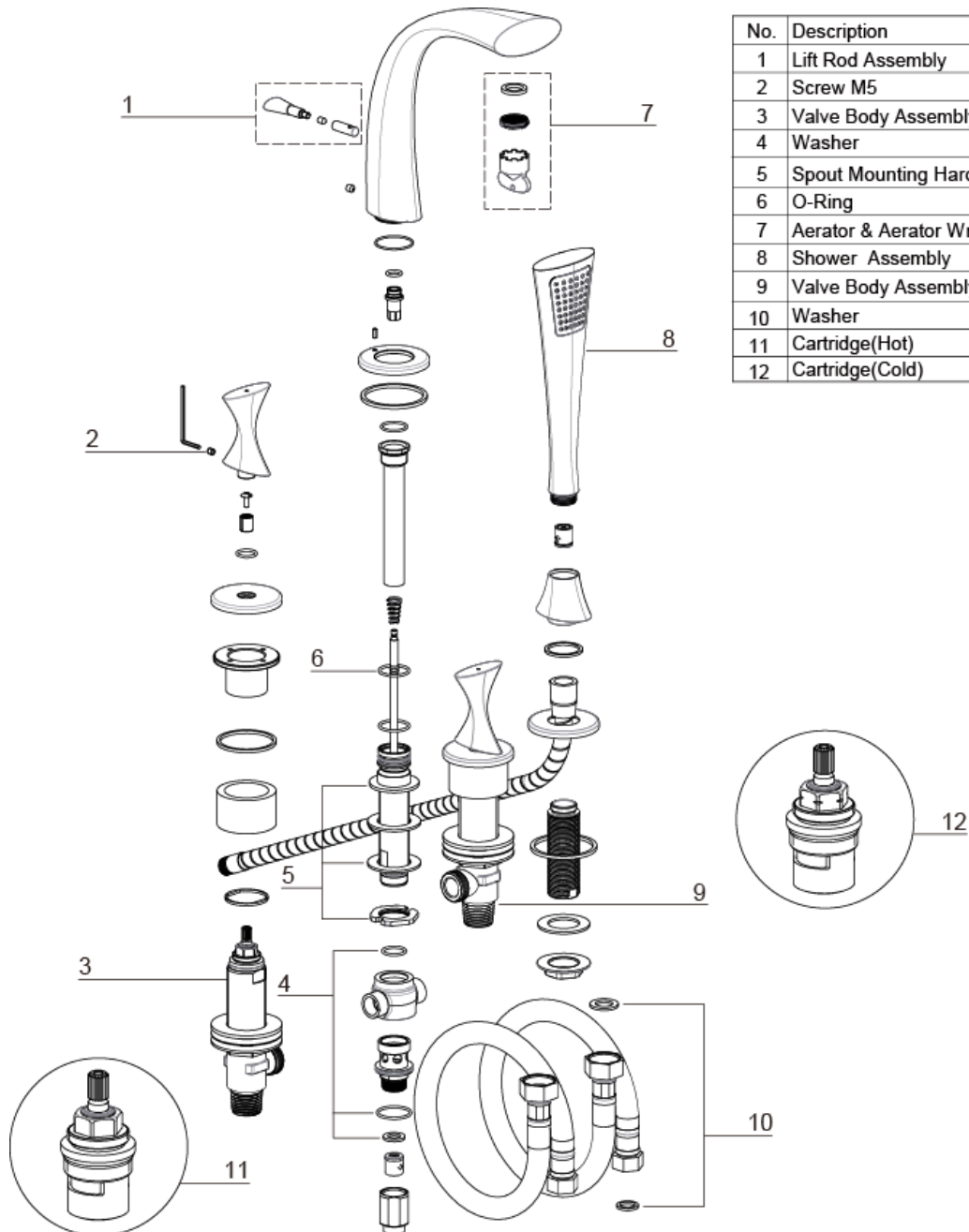
If you've followed the instructions carefully and your faucet still does not work properly, take these corrective steps.

Si vous avez suivi attentivement les instructions et que votre robinet ne fonctionne toujours pas correctement, apporter les correctifs suivants.

Si usted ha seguido las instrucciones cuidadosamente y su grifo todavía no funciona correctamente, siga estos pasos correctivos.

<b>Problem/Problème/Problema</b>	<b>Cause/Cause/Causa</b>	<b>Action/Correctif/Solución</b>
Aerator leaks or has an inconsistent water flow pattern.	Aerator is dirty or misfitted.	Unscrew aerator, remove any debris, check seating of rubber seal then re-assembly aerator.
Leaks underneath Shower Head.	Retainer Shower Head has come loose.O-ring is dirty or damaged.	Tighten the retainer nut. Clean or replace O-ring.

### Replacement Parts / Pièces de rechange / Repuestos



No.	Description	Part No.
1	Lift Rod Assembly	9Q164CP
2	Screw M5	51019206NT
3	Valve Body Assembly(Hot)	5D0M0030CC
4	Washer	9Q1162PL
5	Spout Mounting Hardware	9Q1163NT
6	O-Ring	611011212
7	Aerator & Aerator Wrench	9Q1110PL
8	Shower Assembly	5F0M0086CP
9	Valve Body Assembly(Cold)	5D0M0029CC
10	Washer	9Q1161PL
11	Cartridge(Hot)	51014109NT
12	Cartridge(Cold)	51014116NT

### Limited Lifetime Warranty

Ultra Faucets warrants to the original purchaser that its products will be free from defects in workmanship and materials. All Ultra Faucets are provided with a life time limited warranty. This warranty does not cover any other labor or service charges associated with the removal, repair, or reinstallation of Ultra Faucets products. This express warranty does not apply to products that have been damaged as a result of misuse, abuse, negligence, accident, faulty installation or maintenance practices and/or used in any manner contrary to those recommended by the manufacturer.

**Need help?** Please call our toll-free customer service line at 1-888-658-5872 for additional assistance or service.

**Besoin d'aide?** Veuillez communiquer avec notre service à la clientèle au numéro gratuit 1-888-658-5872 pour tous renseignements ou services complémentaires.

**¿Requiere asistencia?** Llame a nuestro Servicio al Cliente, sin costo, al 1-888-658-5872 para asistencia adicional o servicio.