

Luminist™ Rectangle Vessel Lavatory

FEATURES

- Epoxy resin luminist vessel lavatory
- Luminist is a semi-clear epoxy resin that displays exceptional strength and is highly scratch and impact resistant
- Without overflow
- Complete with installation template, hardware and chrome drain fitting



COLORS/FINISHES

- #61 Angelic White

Recommended faucets:

Helix Ecopower wall mount
TEL3GW10#CP
TEL3GW60#CP
TEL5GW10#CP
TEL5GW60#CP

CODES/STANDARDS

- Meets or exceeds ANSI Z124.3, CSA B45 series
- Certifications: IAPMO(cUPC), State of Massachusetts, City of Los Angeles, and others
- Code compliance: UPC, IPC, NSPC, NPC Canada, and others
- ADA Compliant



PRODUCT SPECIFICATION

The epoxy resin luminist rectangle vessel lavatory shall be without overflow. Vessel lavatory shall include complete installation template, hardware and chrome drain fitting. Vessel lavatory shall be TOTO Model LLT151____.

LLT151

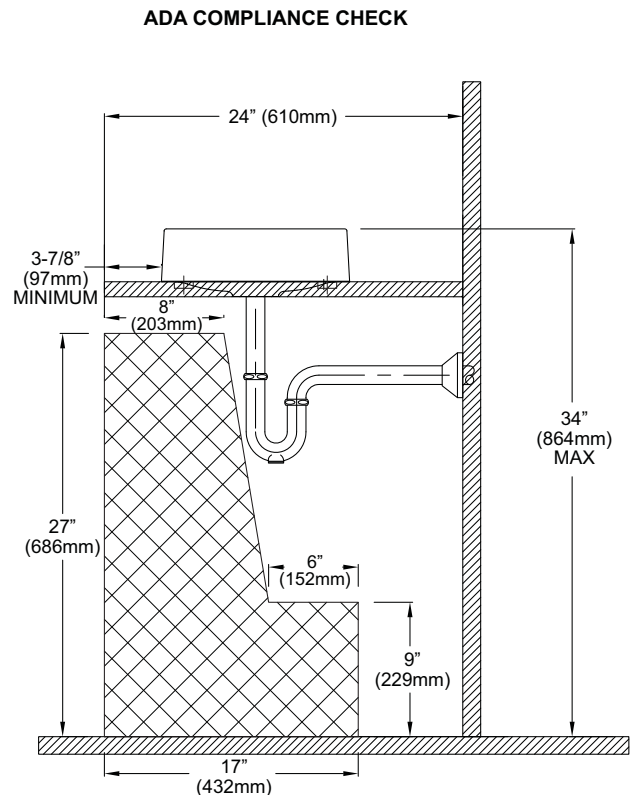
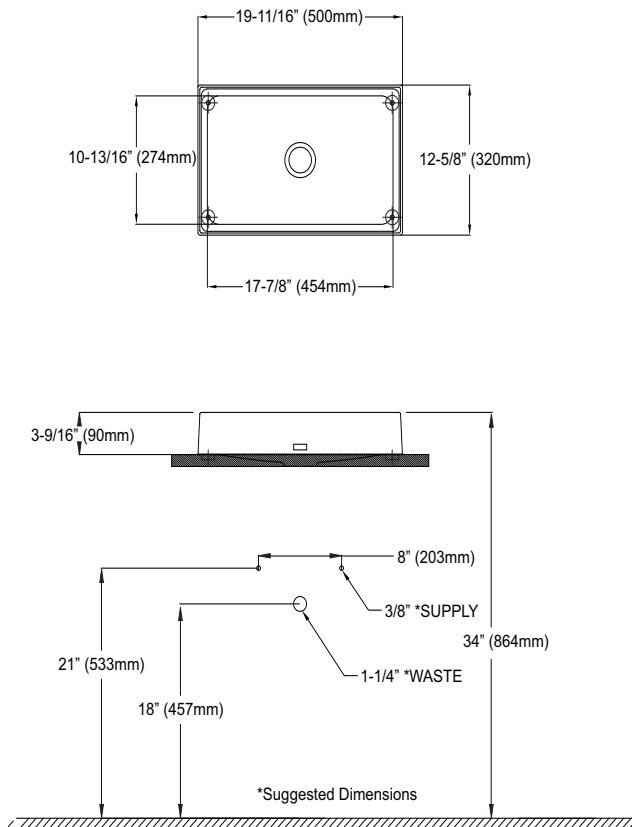
Luminist™ Rectangle Vessel Lavatory

SPECIFICATIONS

- Waste 1-1/4" O.D.
- Size 19-11/16" x 12-5/8"
- Basin 17-7/8" W x 10-13/16" D
- Warranty One Year Limited Warranty
- Material Epoxy Resin
- Shipping Weight 14.0 lbs.
- Shipping Dimensions 14-3/8" W x 6-1/8" H x 26-1/4" L

INSTALLATION NOTES

TOTO recommends you to install this lavatory rim at 864mm (34") height from finished floor and 3-7/8" (98mm) minimum from the front edge of the countertop. These dimensions and specifications are subject to change without notice.



These dimensions and specifications are subject to change without notice