

## Dantesca® Undercounter Lavatory

### FEATURES

- 19" x 15"
- Optional SanaGloss® ceramic glaze - prevents debris and mold from sticking to ceramic surfaces, leading to fewer chemicals and less water in cleaning
- Concealed front overflow
- Mounting assembly complete with installation template and mounting screw set

### MODELS

- LT597G  
With SanaGloss glazing (#01, #03, #11, #12)
- LT597  
Without SanaGloss glazing (#51 only)



**SanaGloss**

### COLORS/FINISHES

- #01 Cotton
- #03 Bone
- #11 Colonial White
- #12 Sedona Beige
- #51 Ebony (not available with SanaGloss)

### CODES/STANDARDS

- Meets and exceeds ASME A112.19.2/CSA B45.1
- Certifications: IAPMO(cUPC), State of Massachusetts, City of Los Angeles, and others
- Meets ADA guidelines and ANSI A117.1 requirements when countertop is installed 864mm (34") from finished floor and lavatory is installed 205mm (8-1/8") minimum from front edge.



### PRODUCT SPECIFICATION

The undercounter lavatory shall be made of vitreous china. Lavatory shall be 19" in length and 15" in width. Product shall be with overflow and lavatory shall include mounting assembly and be ADA compliant. Lavatory model LT597G shall have SanaGloss ceramic glaze. Lavatory shall be TOTO Model 597\_\_\_\_\_.

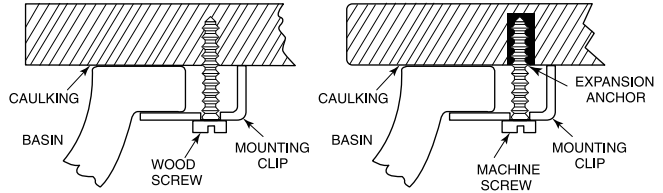
# LT597(G)

## Dantesca® Undercounter Lavatory

### SPECIFICATIONS

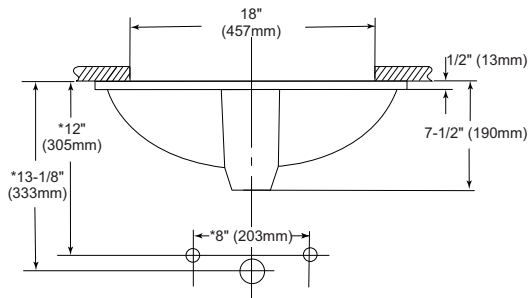
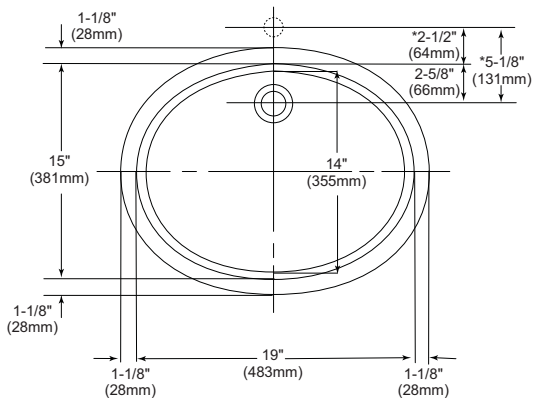
- Waste 1-1/4" O.D.
- Size 21-1/4"W x 17-1/4"D
- Basin 19"W x 15"D
- Warranty One Year Limited Warranty
- Material Vitreous china
- Shipping Weight 19.5 lbs.
- Shipping Dimensions 22"W x 18-1/2"L x 8-1/2"H

### INSTALLATION NOTES



WOOD COUNTER INSTALLATION

MARBLE SLAB INSTALLATION



\*Suggested Dimensions

