

3/4" Thermostatic Mixing Valve (Rough Valve only)

FEATURES

- Shape Memory Alloy (SMA) coil allows faster temperature response than conventional wax-type thermostatic valves
- 3/4" pipe size allows for multiple shower hook ups

CODES/STANDARDS

- Meets or exceeds ASME A112.18.1/CSA B125.1, ASSE 1016
- Certifications: IAPMO(cUPC), State of Massachusetts, City of Los Angeles, and others
- Code Compliance: UPC, IPC, NSPC, NPC Canada, and others



PRODUCT SPECIFICATION

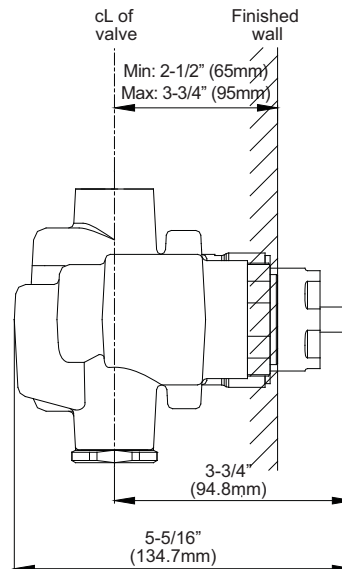
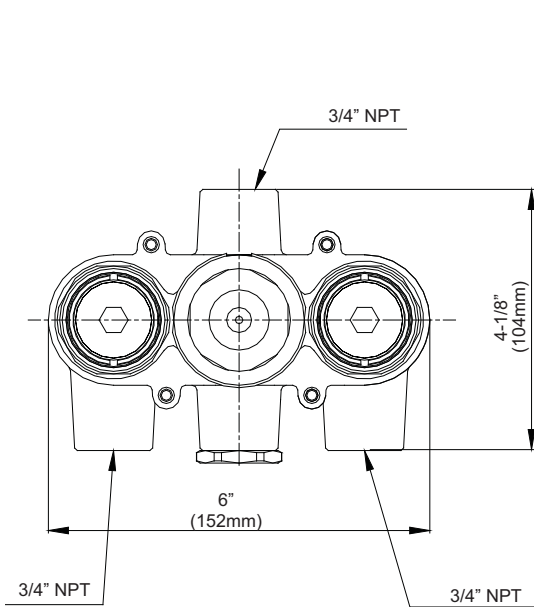
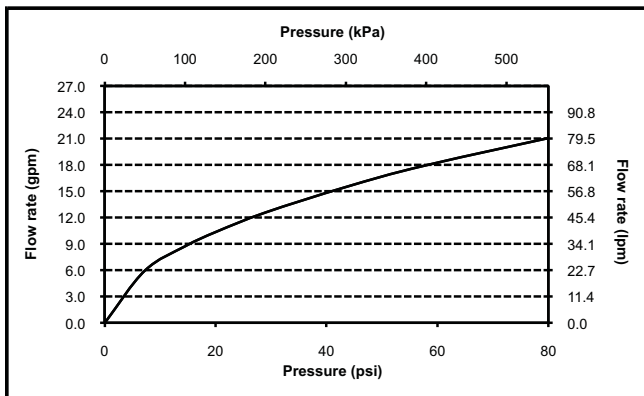
The thermostatic mixing valve shall feature the Shape Memory Alloy (SMA) for faster temperature response. Thermostatic mixing valve shall be TOTO Model TSTT.

TSTT

3/4" Thermostatic Mixing Valve (Rough Valve only)

SPECIFICATIONS

- Warranty: Lifetime Limited Warranty (Residential Use)
One Year (Commercial Use)
- Material: Brass
- Shipping Weight: 8.5 lbs.
- Shipping Dimensions: 11-3/4" L x 7-1/4" W x 7-1/4" H



TOTO®

These dimensions and specifications are subject to change without notice