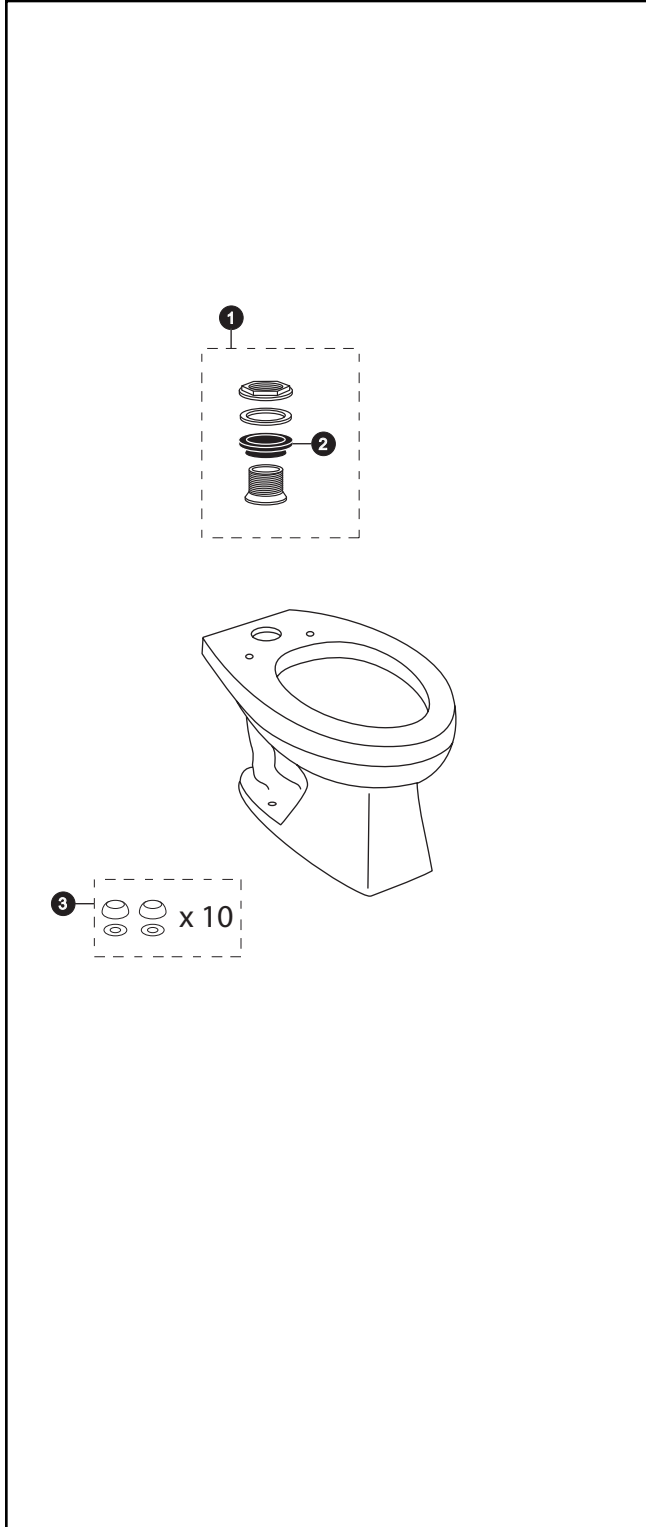


# CT705EN & CT705ENG

CT705EN

CT705ENG

## Commercial 1.6 Gpf or 1.28 Gpf Toilet, Elongated, Flushometer, 10" to 12" Rough-In, 1 1/2" Top Spud Inlet (including SanaGloss®)



Item	Part	Description
1	THU073	Top Spud
2	THU120	Spud Gasket (10 Pieces)
3	THU098#01	Bolt Cap Sets (for 10 toilets) for #01 & #11
	THU098#03	Bolt Cap Sets (for 10 toilets) for #03 & #12
	THU098#04	Bolt Cap Sets (for 10 toilets)
	THU098#51	Bolt Cap Sets (for 10 toilets)

### Product Number Explanations

#### Commercial Flushometer Toilet

(CT) Commercial Toilet  
(705) Model  
(E) 1.6 Gpf or 1.28 Gpf  
(N)  
(G) SanaGloss®

#### Colors

(#01) Cotton  
(#03) Bone  
(#12) Sedona Beige

Actual product may differ slightly from illustration.