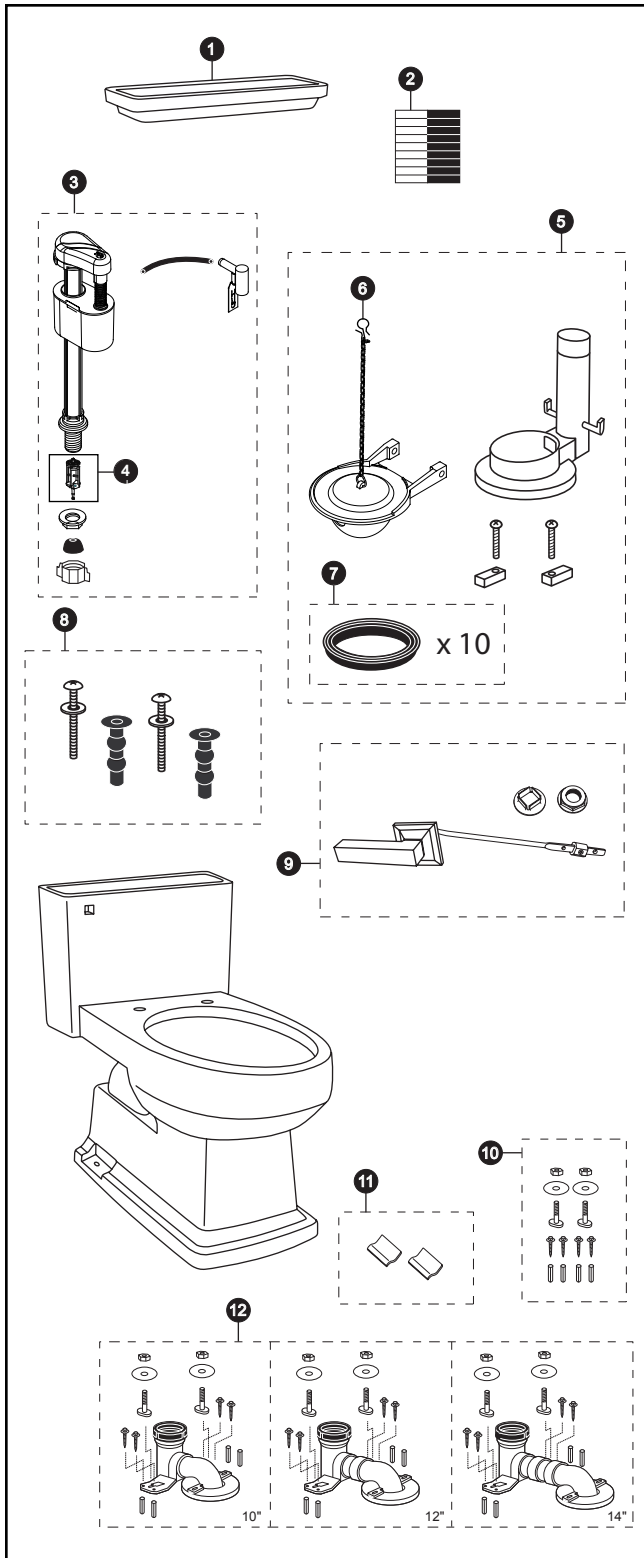


MS934304SF

MS934304SF
CST934SF

Lloyd® 1.6 Gpf Toilet, Elongated, G-Max®, UniFit Rough-In Universal Height



Actual product may differ slightly from illustration.

Item	Part	Description
1	TCU934CR#01 TCU934CR#03 TCU934CR#04 TCU934CR#11 TCU934CR#12 TCU934CR#51	Tank Lid w/ Velcro Tape Tank Lid w/ Velcro Tape Tank Lid w/ Velcro Tape Tank Lid w/ Velcro Tape Tank Lid w/ Velcro Tape Tank Lid w/ Velcro Tape
2	THU234	Velcro Tape
3	TSU18A	Fill Valve
4	THU229	Fill Valve Filter
5	THU013W	Flush Valve
6	THU175S	Flapper w/ Chain
7	THU097	Flush Valve Gaskets (10 Pieces)
8	THU651N	Top Mounting Seat Hardware
9	THU191#BN THU191#CP THU191#PB THU191#PN	Trip Lever Trip Lever Trip Lever Trip Lever
10	THU020N	UniFit Mounting Set
11	THU199#01 THU199#51 THU199#12 THU199#11 THU199#04 THU199#03	Cover Plate Set w/ Velcro Tape Cover Plate Set w/ Velcro Tape Cover Plate Set w/ Velcro Tape Cover Plate Set w/ Velcro Tape Cover Plate Set w/ Velcro Tape Cover Plate Set w/ Velcro Tape
12	TSU03W.10 TSU03W.12R TSU03W.14	UniFit - 10" Rough-In UniFit - 12" Rough-In UniFit - 14" Rough-In

Product Number Explanations

One-Piece Toilet

(MS) Toilet & Seat Combination
(934) Toilet Model
(304) Seat Model
(S) G-Max®
(F) Universal Height

Colors

(#01) Cotton
(#03) Bone
(#04) Gray
(#11) Colonial White
(#12) Sedona Beige
(#51) Ebony

One-Piece Toilet

(CST) Gravity Type Toilet
(934) Model
(S) G-Max®
(F) Universal Height

Finishes

(#CP) Chrome Plated
(#BN) Brushed Nickel
(#CP) Chrome Plated
(#PB) Polished Brass
(#PN) Polished Nickel