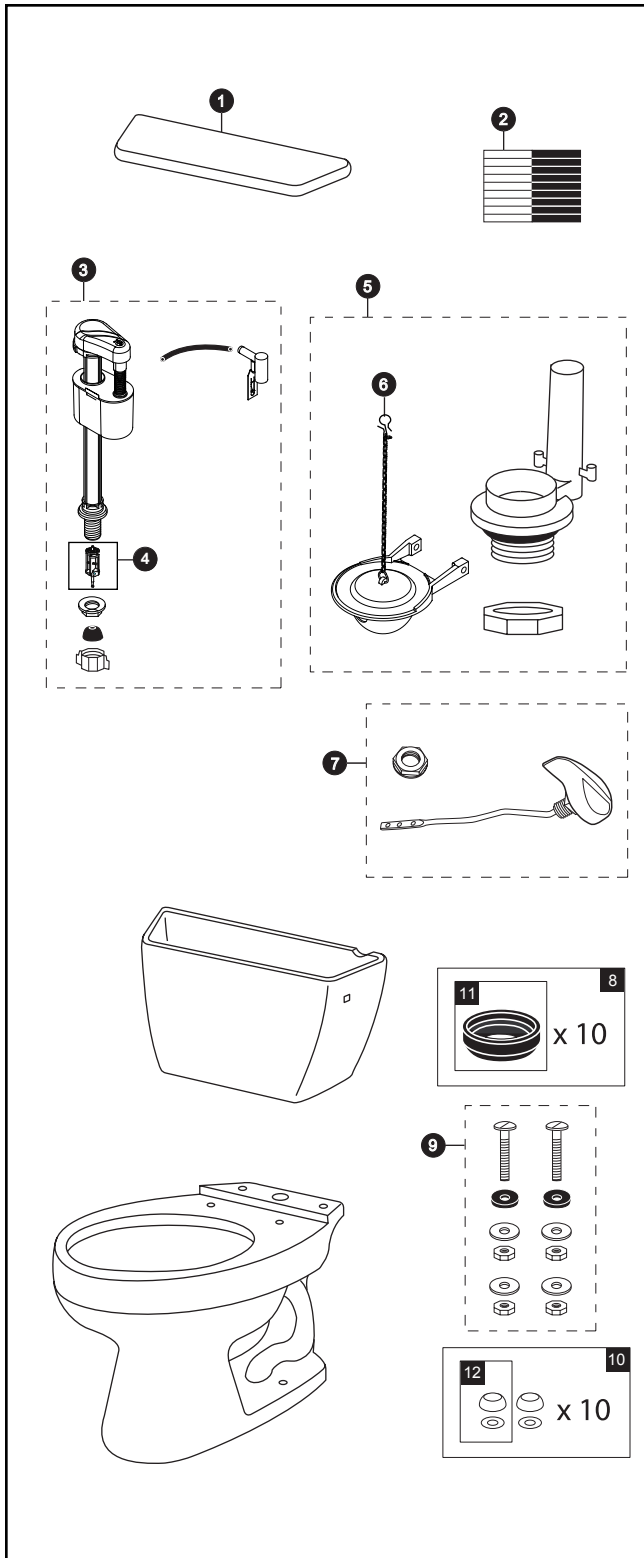


CST744SR

CST744SR
ST743SR
C744S

Drake® 1.6 Gpf Toilet, Elongated, G-Max®, 12" Rough-In, Right Hand Trip Lever



Actual product may differ slightly from illustration.

Item	Part	Description
1	TCU743CR#01	Tank Lid w/ Velcro Tape
	TCU743CR#03	Tank Lid w/ Velcro Tape
	TCU743CR#04	Tank Lid w/ Velcro Tape
	TCU743CR#11	Tank Lid w/ Velcro Tape
	TCU743CR#12	Tank Lid w/ Velcro Tape
	TCU743CR#51	Tank Lid w/ Velcro Tape
2	THU107	Velcro Tape
3	TSU24A	Fill Valve
4	THU229	Fill Valve Filter
5	THU129W-A	Flush Valve
6	THU175S	Flapper w/ Chain
7	THU279#01	Trip Lever - Right Hand
	THU279#03	Trip Lever - Right Hand
	THU279#04	Trip Lever - Right Hand
	THU279#11	Trip Lever - Right Hand
	THU279#12	Trip Lever - Right Hand
	THU279#51	Trip Lever - Right Hand
	THU279#BN	Trip Lever - Right Hand
	THU279#CP	Trip Lever - Right Hand
	THU279#PB	Trip Lever - Right Hand
8	THU131	Tank to Bowl Gaskets (for 10 toilets)
9	TSU01D	Tank Mounting Kit
10	THU098#01	Bolt Cap Sets (for 10 toilets) for #01 & #11
	THU098#03	Bolt Cap Sets (for 10 toilets) for #03 & #12
	THU098#04	Bolt Cap Sets (for 10 toilets)
	THU098#51	Bolt Cap Sets (for 10 toilets)
11	9BU024E	3" Tank to Bowl Gasket
12	THU044#01	Bolt Cap Sets (for 10 toilets) for #01 & #11
	THU044#03	Bolt Cap Sets (for 10 toilets) for #03 & #12
	THU044#04	Bolt Cap Sets (for 10 toilets)
	THU044#51	Bolt Cap Sets (for 10 toilets)

Product Number Explanations

Two-Piece Toilet

(CST) Gravity Type Toilet
(744) Model
(S) G-Max®
(R) Right Hand Trip Lever

Tank

(ST) Tank
(743) Model
(S) G-Max®
(R) Right Hand Trip Lever

Bowl

(C) Bowl
(744) Model
(S) G-Max®

Colors

(#01) Cotton
(#03) Bone
(#04) Gray
(#11) Colonial White
(#12) Sedona Beige
(#51) Ebony

Finishes

(#BN) Brushed Nickel
(#CP) Chrome Plated
(#PB) Polished Brass