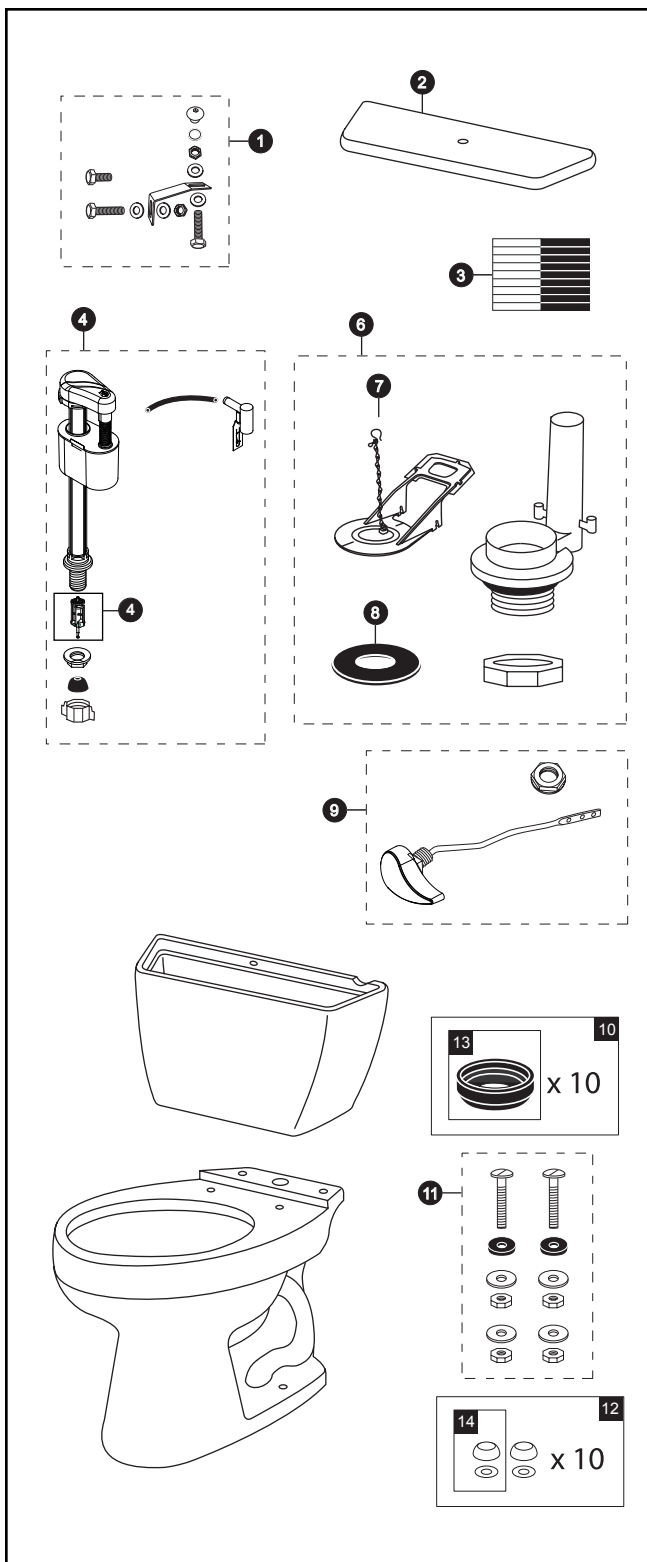


CST744SLDB

CST744SLDB
ST743SDB
C744SL

Drake® 1.6 Gpf Toilet, Elongated, G-Max®, ADA, 12" Rough-In, Insulated Tank, Bolt Down Tank Lid



Actual product may differ slightly from illustration.

Item	Part	Description
1	THU089	Bolt Down Set
2	TCU743BCR#01 TCU743BCR#03 TCU743BCR#04 TCU743BCR#11 TCU743BCR#12 TCU743BCR#51	Bolt Down Tank Lid w/ Velcro Tape Bolt Down Tank Lid w/ Velcro Tape Bolt Down Tank Lid w/ Velcro Tape Bolt Down Tank Lid w/ Velcro Tape Bolt Down Tank Lid w/ Velcro Tape Bolt Down Tank Lid w/ Velcro Tape
3	THU107	Velcro Tape
4	TSU24A	Fill Valve
5	THU229	Fill Valve Filter
6	THU130	Flush Valve
7	THU092-7	Flapper w/ Chain - Insulated Tank
8	THU096	Flapper Gaskets (for 10 toilets) (10 Pieces)
9	THU068#01 THU068#03 THU068#04 THU068#11 THU068#12 THU068#51 THU068#BN THU068#CP THU068#PN	Trip Lever Trip Lever Trip Lever Trip Lever Trip Lever Trip Lever Trip Lever Trip Lever Trip Lever
10	THU131	Tank to Bowl Gaskets (for 10 toilets)
11	TSU01D	Tank Mounting Kit
12	THU098#01 THU098#03 THU098#04 THU098#51	Bolt Cap Sets (for 10 toilets) for #01 & #11 Bolt Cap Sets (for 10 toilets) for #03 & #12 Bolt Cap Sets (for 10 toilets) Bolt Cap Sets (for 10 toilets)
13	9BU024E	3" Tank to Bowl Gasket
14	THU044#01 THU044#03 THU044#04 THU044#51	Bolt Cap Sets (for 10 toilets) for #01 & #11 Bolt Cap Sets (for 10 toilets) for #03 & #12 Bolt Cap Sets (for 10 toilets) Bolt Cap Sets (for 10 toilets)

Product Number Explanations

Two-Piece Toilet

(CST) Gravity Type Toilet
(744) Model
(S) G-Max®
(L) ADA Compliant
(D) Insulated Tank
(B) Bolt Down Tank Lid

Tank

(ST) Tank
(743) Model
(S) G-Max®
(D) Insulated Tank
(B) Bolt Down Tank Lid

Bowl

(C) Bowl
(744) Model
(S) G-Max®
(L) ADA Compliant

Colors

(#01) Cotton
(#03) Bone
(#04) Gray
(#11) Colonial White
(#12) Sedona Beige
(#51) Ebony

Finishes

(#BN) Brushed Nickel
(#CP) Chrome Plated
(#PN) Polished Nickel