



# SYMMONS® Naru™

## Widespread Lavatory Faucet SLW-4112

### Installation and Service Instructions



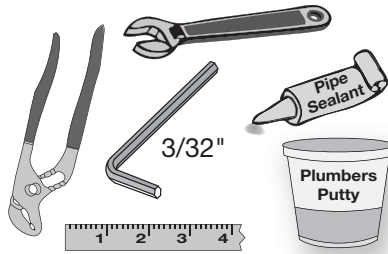
#### Model Numbers

SLW-4112 Lavatory faucet with chrome finish and includes pop-up drain

#### Alternate Finish Codes

- STN Satin Nickel
- PNL Polished Nickel finish
- Chrome (standard)

#### Tools & Materials

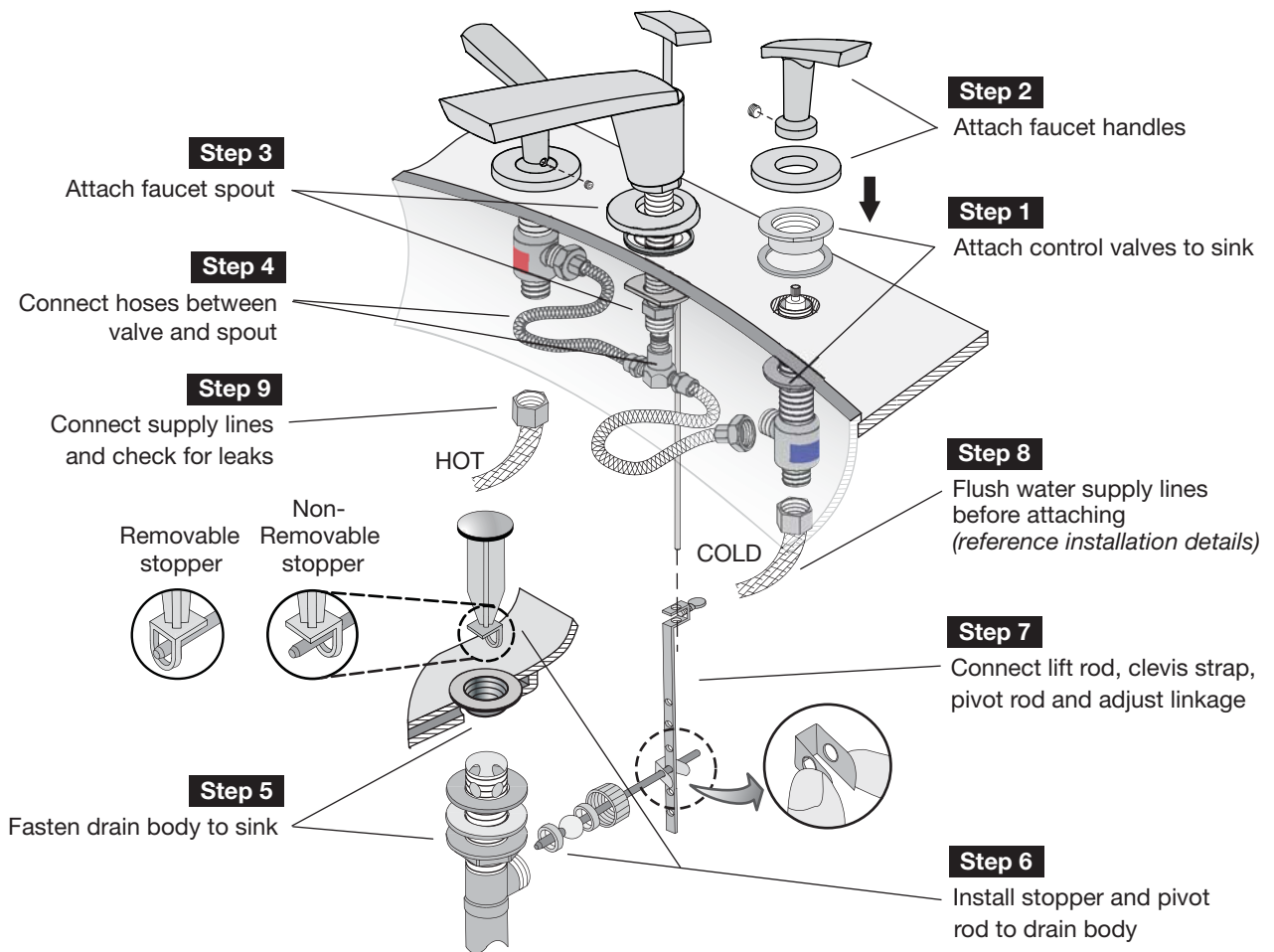


#### Need Help?

Contact Symmons customer service at (800) 796-6667, (781) 848-2250  
 Email: [customerservice@symmons.com](mailto:customerservice@symmons.com)  
 Monday - Friday 8:00 am - 7:30 pm EST

Please check Symmons website for technical help, the latest product information and warranty policy.  
[www.symmons.com/service](http://www.symmons.com/service)

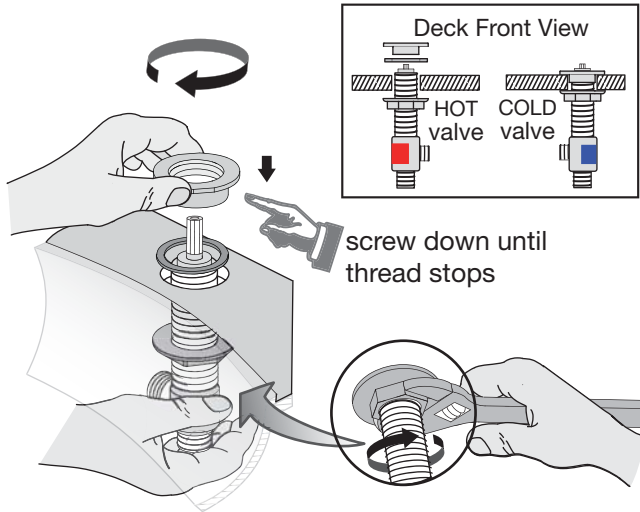
### Quick Install Guide *Naru Widespread Lavatory Faucet, SLW-4112*



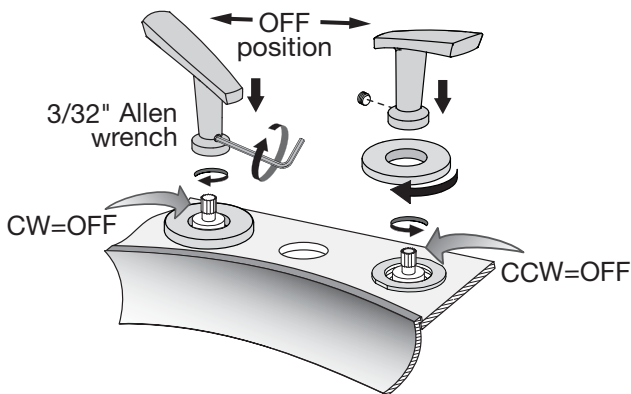
# Installation Instructions

**Caution:** If replacing an older faucet ensure water supply is turned OFF before removing. Then open faucet valves to relieve water pressure.

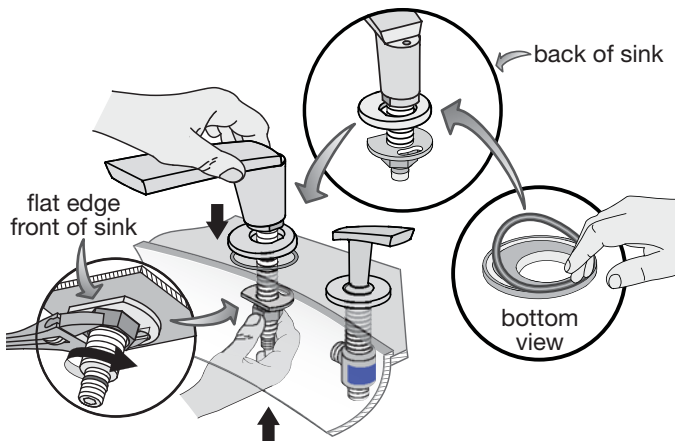
## Step 1 Attach control valves to sink



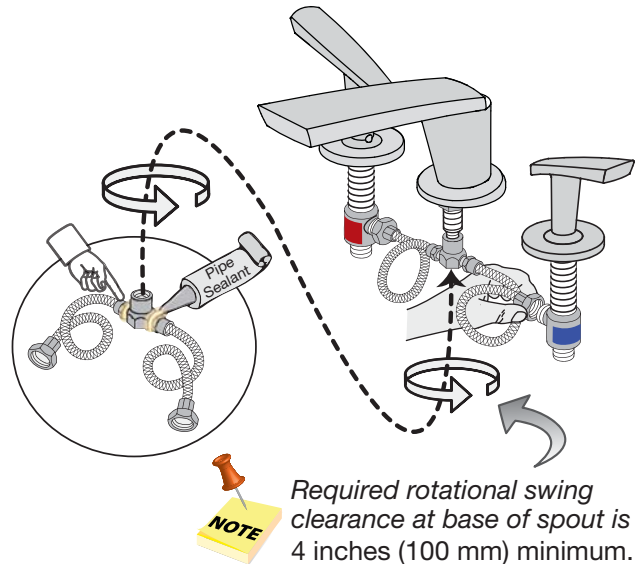
## Step 2 Attach faucet handles



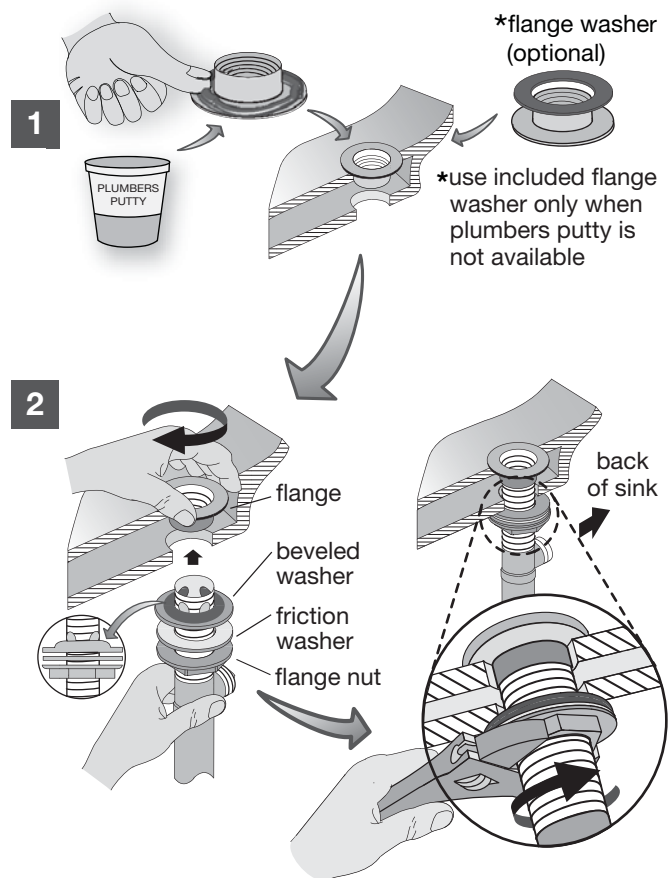
## Step 3 Attach faucet spout



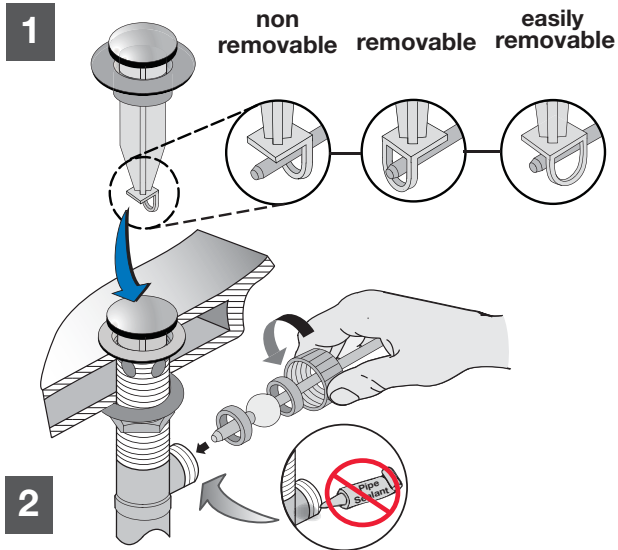
## Step 4 Connect hoses between valve & spout



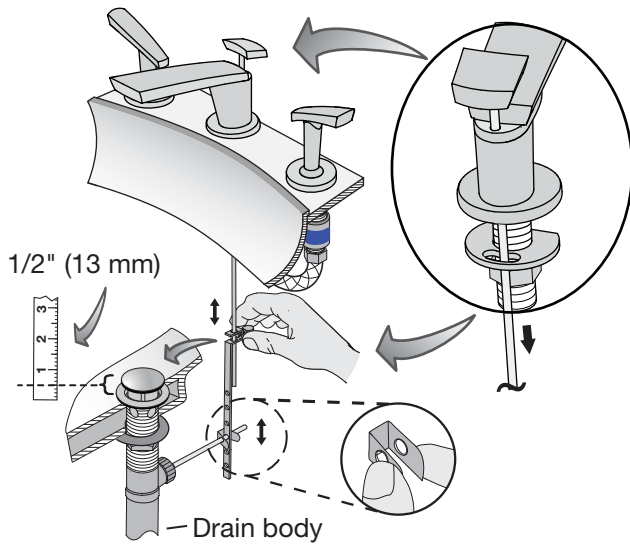
## Step 5 Fasten drain body to sink



## Step 6 Install stopper and pivot rod to drain

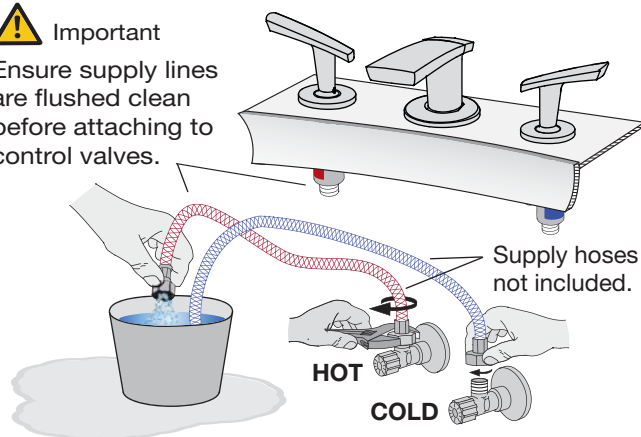


## Step 7 Connect lift rod and adjust linkage

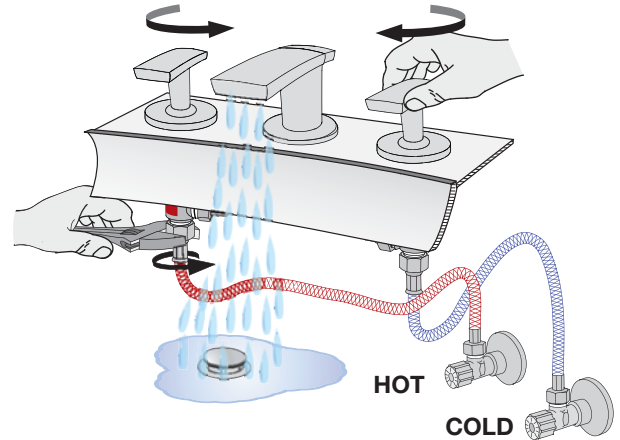


## Step 8 Flush supply lines before attaching

**⚠ Important**  
Ensure supply lines are flushed clean before attaching to control valves.



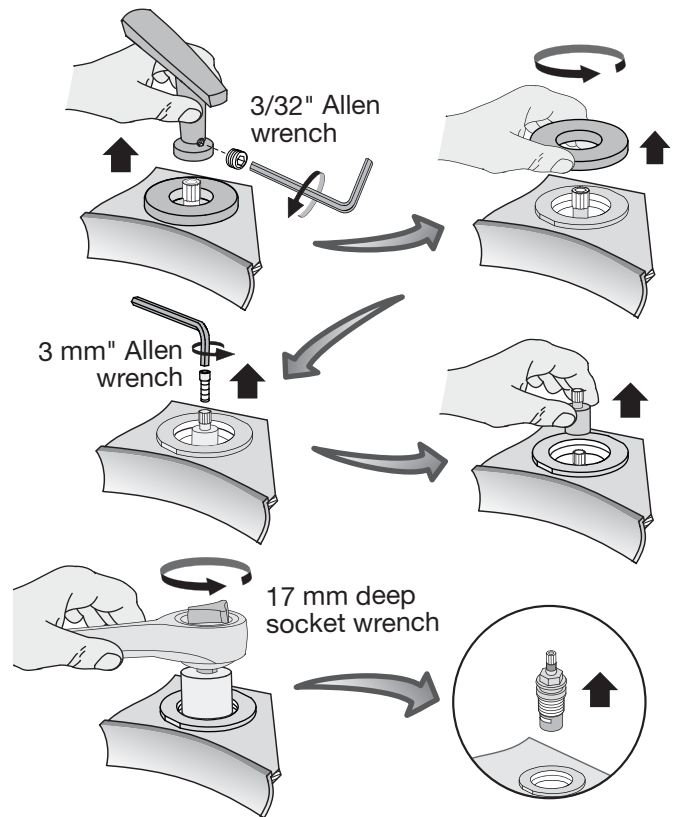
## Step 9 Connect supply lines, check for leaks



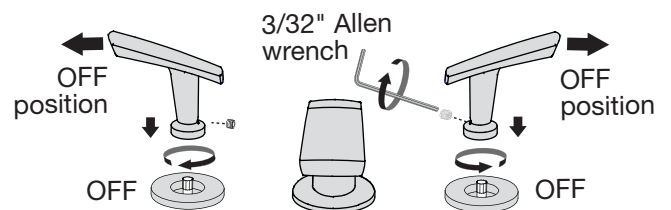
## Care of faucet finish

- Clean finish area by using mild soap and water or non-abrasive cleaner and then rinse immediately. A non-abrasive wax may be used to preserve finish area.

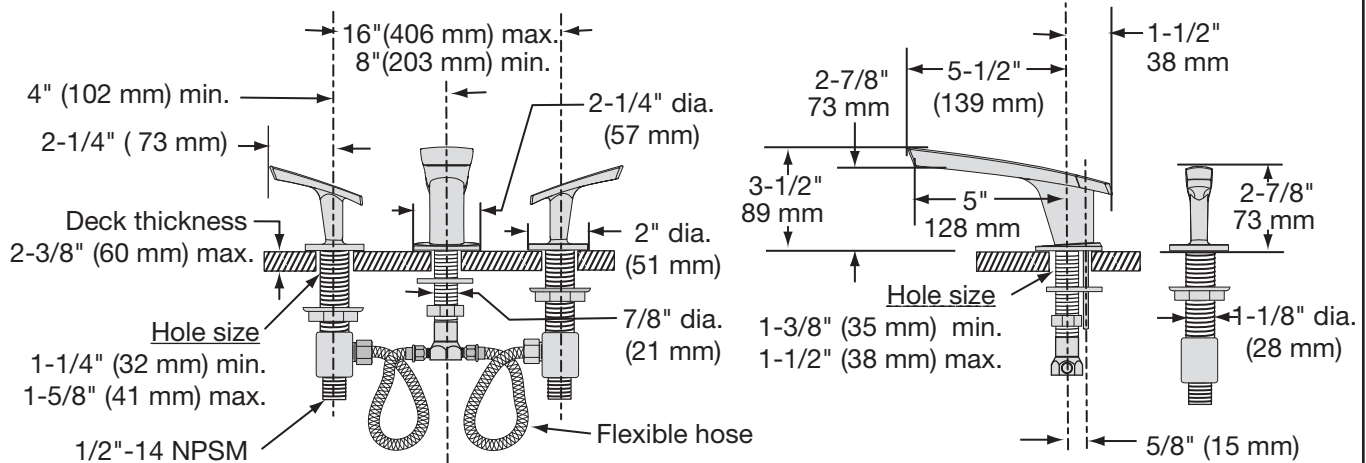
## Valve cartridge replacement



## Replacing handles

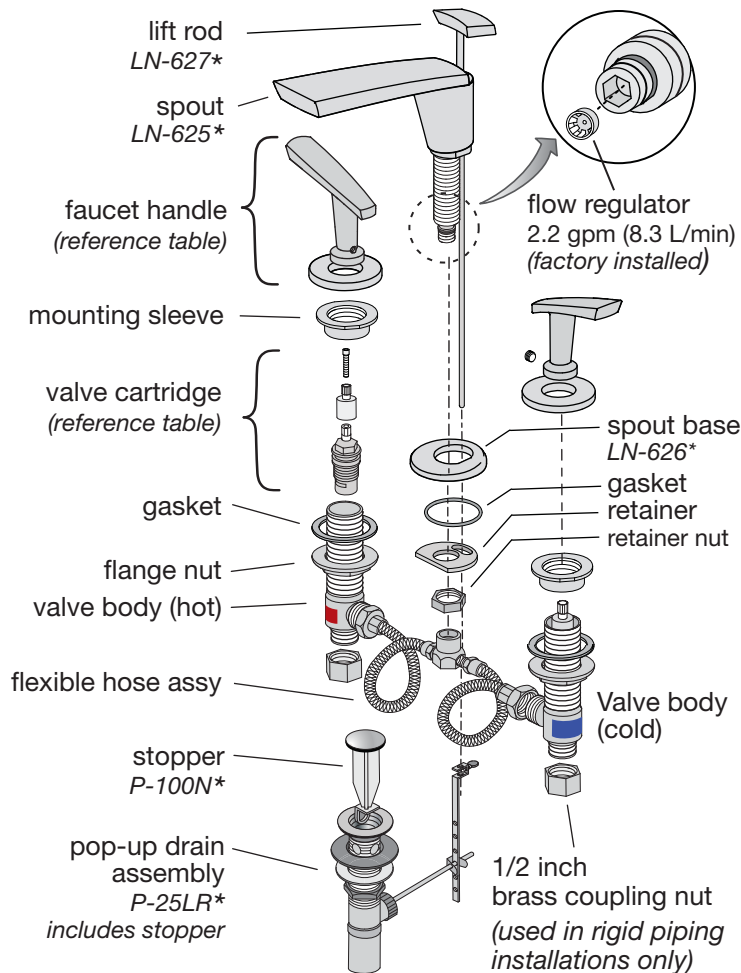


## Dimensions Naru Widespread Lavatory Faucet, SLW-4112



**Note:** Dimensions subject to change without notice.

## Parts Assembly Naru Widespread Lavatory Faucet, SLW-4112



### Replacement Parts

Part Number	Item
RT-411-KIT* handle assy. 1 ea. / kit	handle (1) screw collar
<i>handle is used in either hot or cold locations</i>	
KN-114-EXT-KIT HOT cartridge kit OFF=CW	(2) screw cartridge extension
KN-113-EXT-KIT COLD cartridge kit OFF=CCW	KN-113 identified by groove
Note (2) screw requires 3mm Allen wrench	
LN-532 FLR-103-1.5 FLR-103-1.0	flow regulator 2.2 gpm (8.3L/min) 1.5 gpm (5.7L/min) 1.0 gpm (3.8L/min)

\* Note: When ordering parts for faucets with an optional decorative finish, append appropriate three letter finish suffix code to part numbers marked with an asterisk (\*).

### Ordering replacement parts:

Call Symmons customer service at (800) 796-6667, (781) 848-2250 M-F 8:00 am - 7:30 pm EST or check our website at [www.symmons.com](http://www.symmons.com) for a list of Symmons distributors.