



SYMMONS® Allura™

Lavatory Faucet SLC-4712

Installation and Service Instructions



Model Numbers

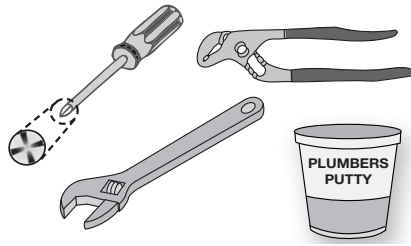
SLC-4712 Lavatory faucet with chrome finish and pop-up drain

Alternate Finish Code

append to part numbers when applicable

- STN Satin Nickel
- Chrome (standard)

Tools & Materials



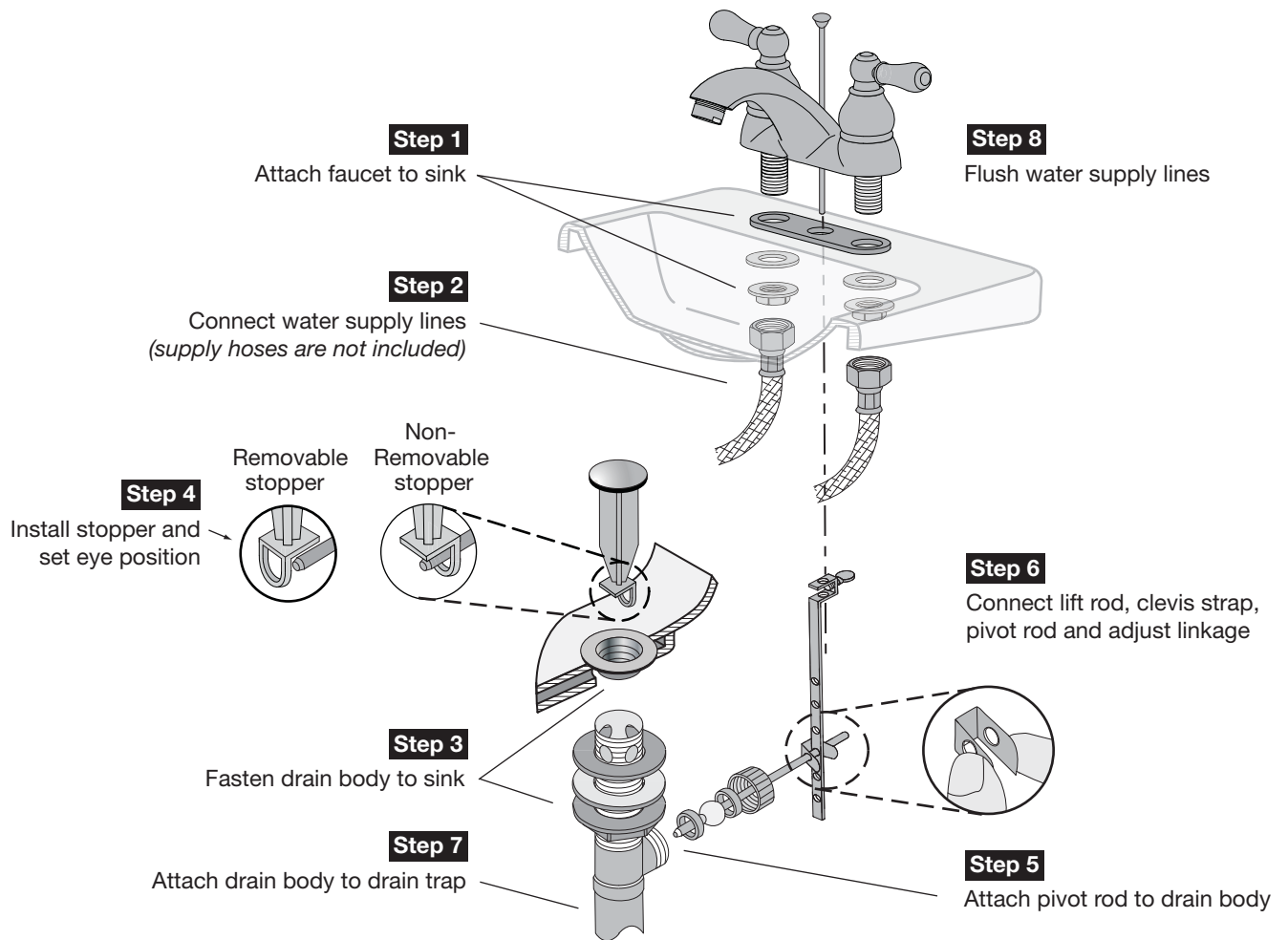
☎ Need Help?

Symmons customer service:
 (800) 796-6667, (781) 848-2250
 customerservice@symmons.com
 Mon - Fri 8:00 am - 7:30 pm EST

🌐 www.symmons.com/service

- Technical help
- Product information
- Warranty policy.

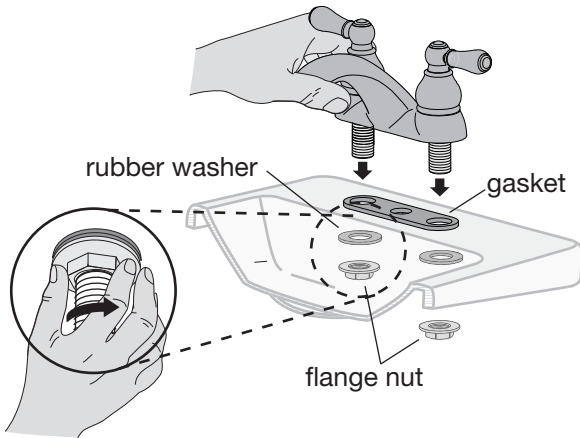
Quick Install Guide *Allura Lavatory Faucet, SLC-4712*



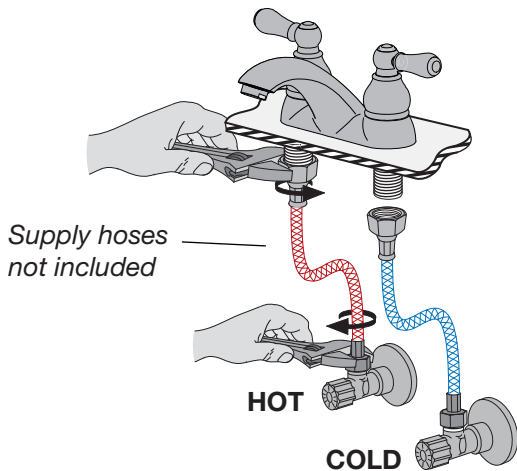
Installation Instructions

Caution: If replacing an older faucet ensure water supply is turned OFF before removing. Then turn faucet control valves ON to relieve water pressure.

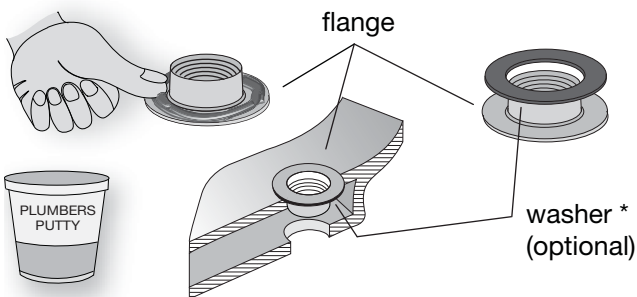
Step 1 Attach faucet to sink



Step 2 Connect water supply lines



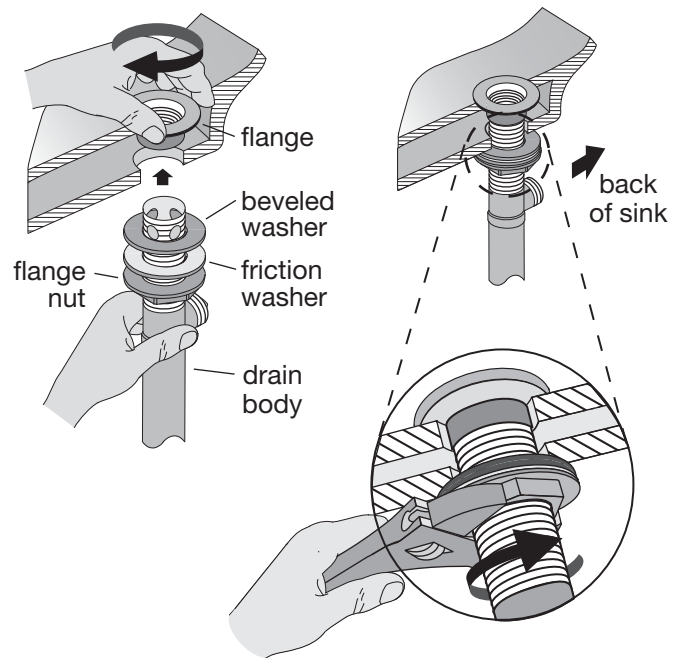
Step 3 Seat flange into sink drain opening



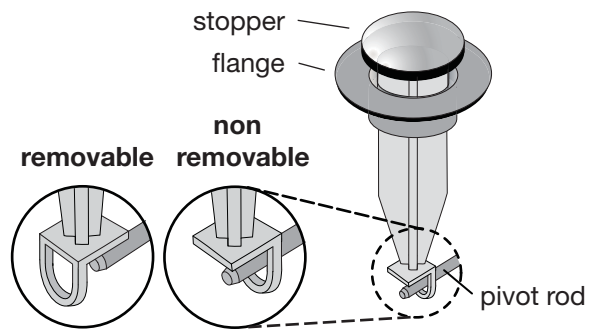
* use included washer only for when plumbers putty is not available

* Note: Washer included with faucet should only be used when plumbers putty is not available.

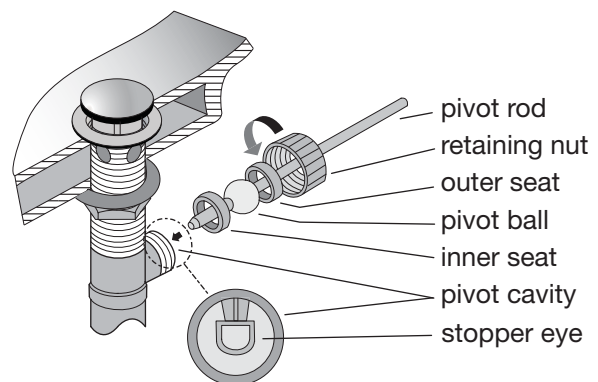
Step 4 Attach drain body to flange



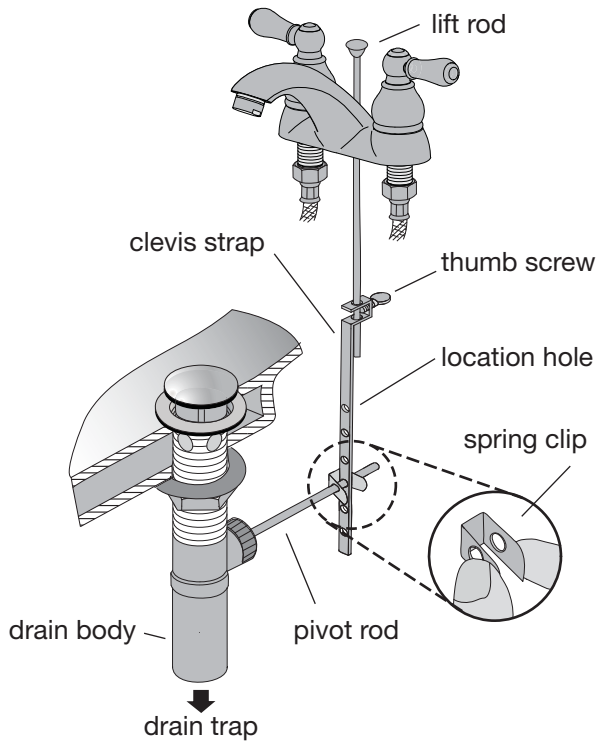
Step 5 Install stopper and set eye position



Step 6 Attach pivot rod to drain body

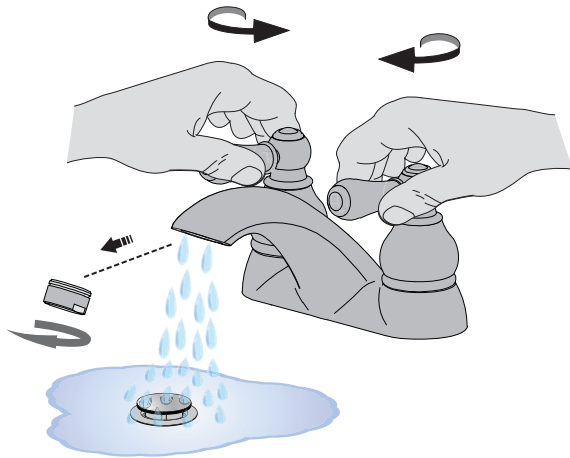


Step 7 Connect lift rod and adjust linkage



Step 8 Attach drain body to drain trap

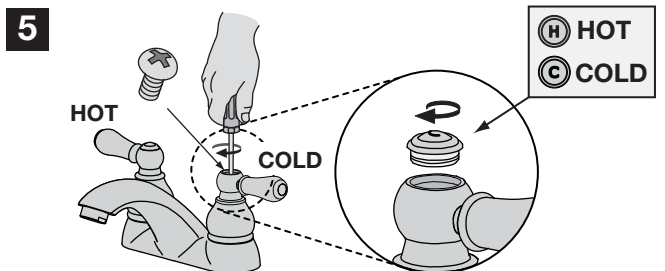
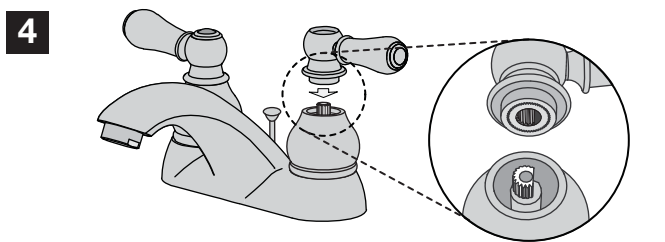
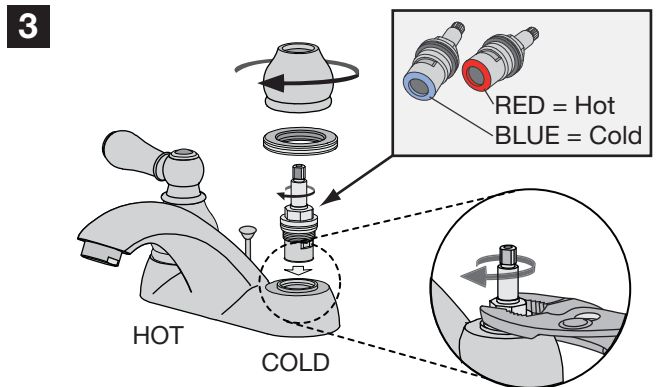
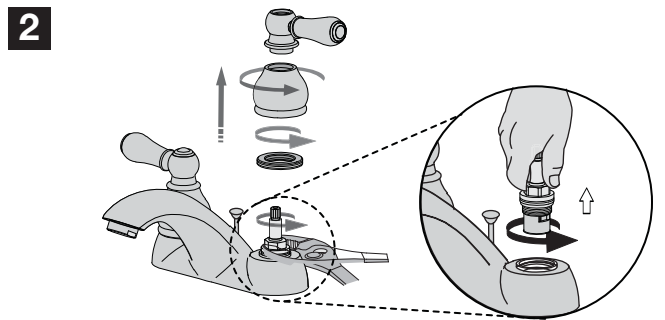
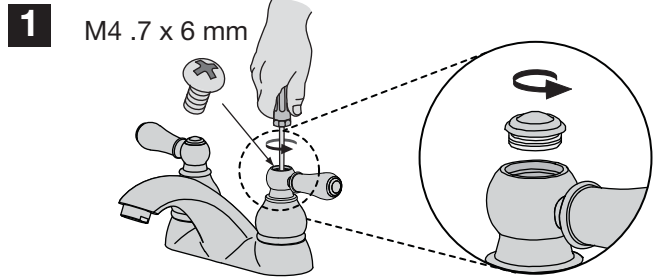
Step 9 Flush water supply lines



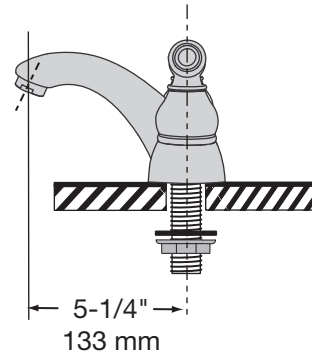
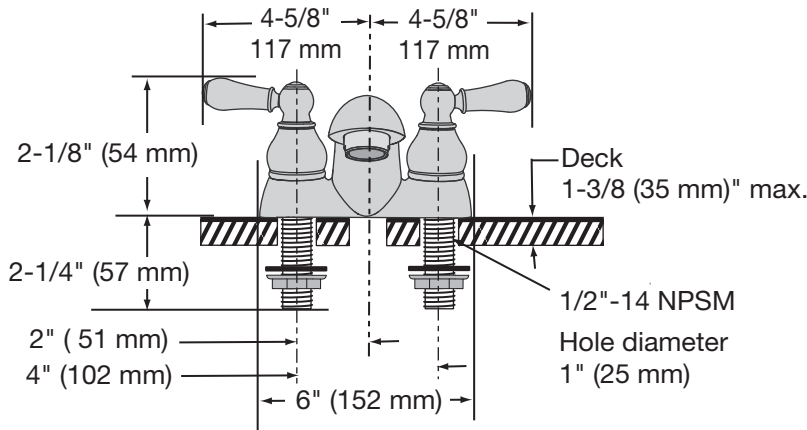
Care of faucet finish

Clean finish area by using mild soap and water or non-abrasive cleaners and then rinse immediately. A non-abrasive wax may be used to preserve finish area.

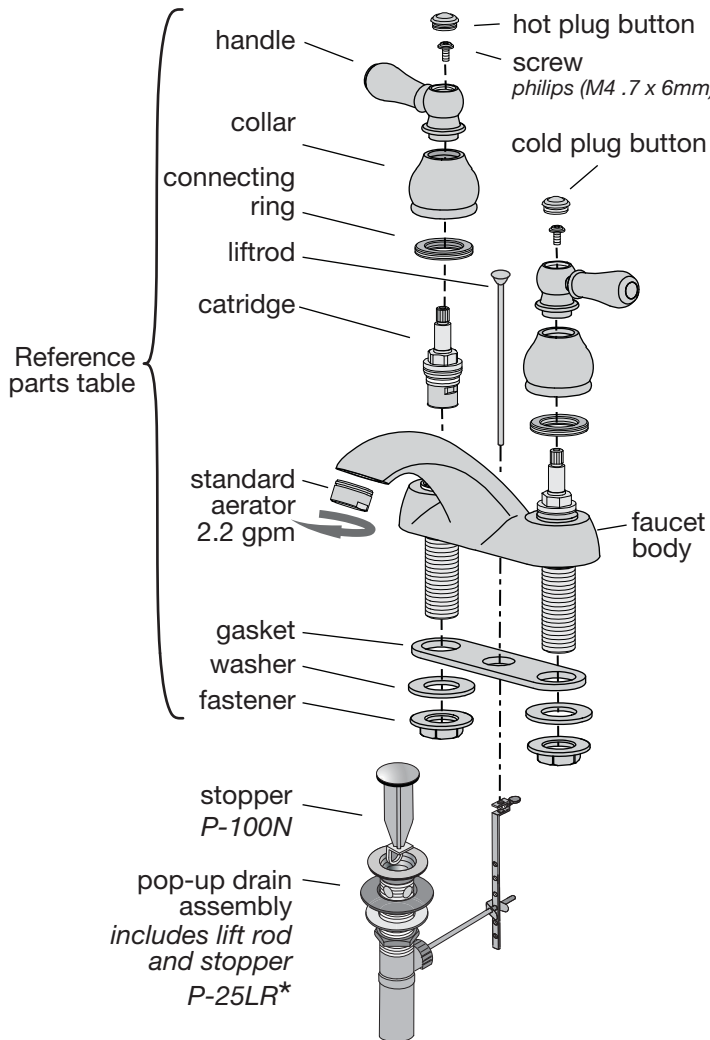
Valve cartridge replacement



Dimensions *Allura Lavatory Faucet, SLC-4712*



Parts Assembly *Allura Lavatory Faucet, SLC-4712*



Replacement Parts

Part Number	Item
LN-576 (hot) OFF = CW	connecting ring valve cartridge
LN-577 (cold) OFF = CCW	Hot = RED Cold = BLUE
LN-582	gasket (1) washer (2) fastener (2)
LN-579*	hot & cold plug buttons (2) screw (1) handle (1) collar (1)
LN-581*	hot & cold plug buttons (2)
LN-15* FLR-110-1.5* FLR-110-1.0*	<u>aerator flow rates</u> 2.2 gpm (8.3L/min) 1.5 gpm (5.7L/min) 1.0 gpm (3.8L/min) aerator

* Note: When ordering parts for faucets with an optional decorative finish, append appropriate three letter finish suffix code to part numbers marked with an asterisk (*).

Ordering replacement parts:

Call Symmons customer service at (800) 796-6667, (781) 848-2250 M-F 8:00 am - 7:30 pm EST or check our website at www.symmons.com for a list of Symmons distributors.