

Metering Faucet

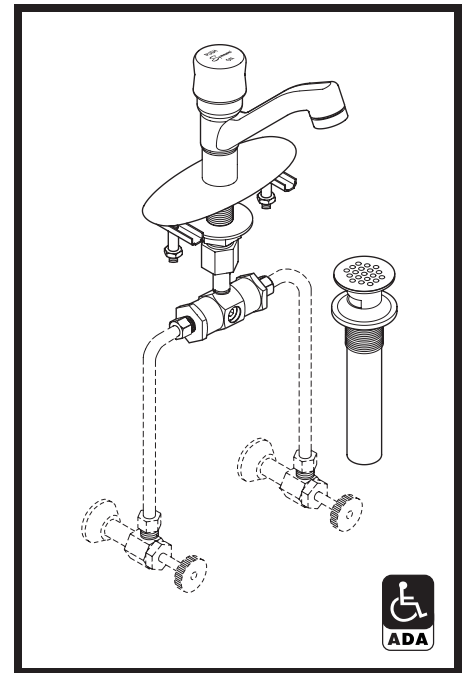
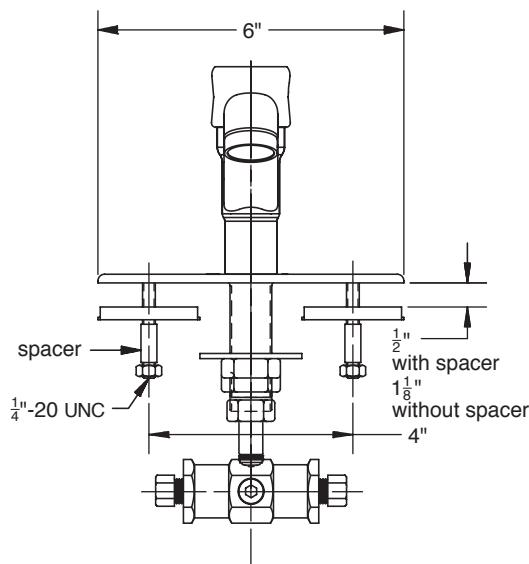
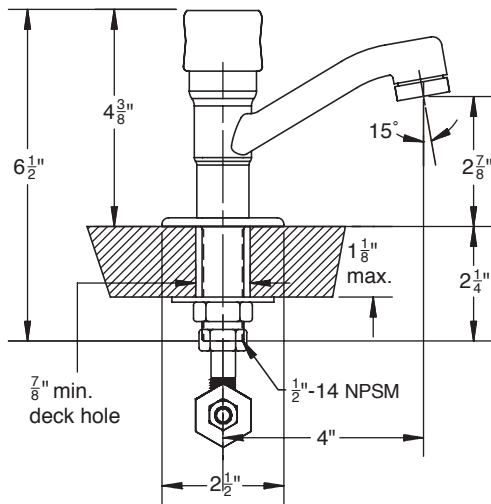
- S-74-G: With grid strainer drain assembly
- S-74: Faucet only

Symmons Metering Faucet with deck plate to accommodate 4" center 3 hole mounting sink basins. Mechanical Mixing Valve for adjustable outlet tempered water supply. Adjustable time limit stop to adjust flow time. Vandal resistant 0.5 gpm spray outlet.

Modifications:

Add:

- Suffix A: Vandal resistant aerator in place of 0.5 gpm spray outlet (1.25 GPM at 50 PSI)
- Suffix NA: Non-aerated laminar flow outlet
- Suffix QC: Quick closing feature
- Suffix OFG: Offset grid strainer
- Suffix DP: Adapter plate for 8" center installations



**SYMMONS PRODUCTS MEET
ANSI A112.18.1M, EPA '92
AND ALL KNOWN FLOW RATE
REQUIREMENTS.
Metering Faucets
0.25 gallons per cycle (1.0 L/cycle)**

Job/Location

.....
.....

Engineer

.....
.....

Contractor

.....
.....

For ADA compliance (Americans with Disabilities Act) consult ADAAG or your state regulations for proper product choice and mounting locations.

Symmons Industries, Inc. ■ 31 Brooks Drive ■ Braintree, MA 02184
(800) 796-6667, (781) 848-2250 ■ Fax (800) 961-9621, (781) 843-3849
Website: www.symmons.com ■ Email: customerservice@symmons.com

©2003, 2008 Symmons Industries, Inc. Printed in U.S.A. ■ 050108

