

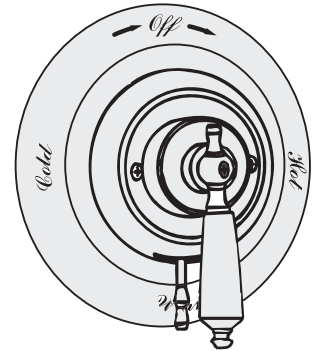


# SYMMONS® Carrington™

## Shower Valve System S-4400

### Specification Submittal

---



#### Feature Highlights

- Symmons shower valve system with lever handles.
  - Symmons Temptrol® pressure balancing mixing valve with adjustable stop screw to limit handle turn.
  - Secondary integral volume control handle
  - Metal construction with polished chrome finish
- 

#### Model Numbers

- S-4400..... Shower Valve System with Symmons Temptrol® pressure balancing mixing valve p/n S-4002-BODY
  - S-4400-TRM..... Trim only, valve must be ordered separately
  - S-4001-BODY..... Symmons Temptrol® pressure balancing mixing valve without trim
  - S-4001-X-BODY.... Symmons Temptrol® pressure balancing mixing valve without trim. Valve includes integral service stops to allow water shut-off for service.
- 

#### Finish Options

*Append appropriate -suffix to model number.*

- STN Satin nickel finish
- 

#### Options / Modifications

*Append appropriate -suffix to model number.*

- IPS 1/2 inch female IPS connections on Symmons Temptrol® mixing valve
  - X Symmons Temptrol® pressure balancing mixing valve includes integral service stops to allow water shut-off for service, p/n S-4001-X-BODY. (Option only applies when ordering model S-4400.)
- 

#### Standards / Certifications

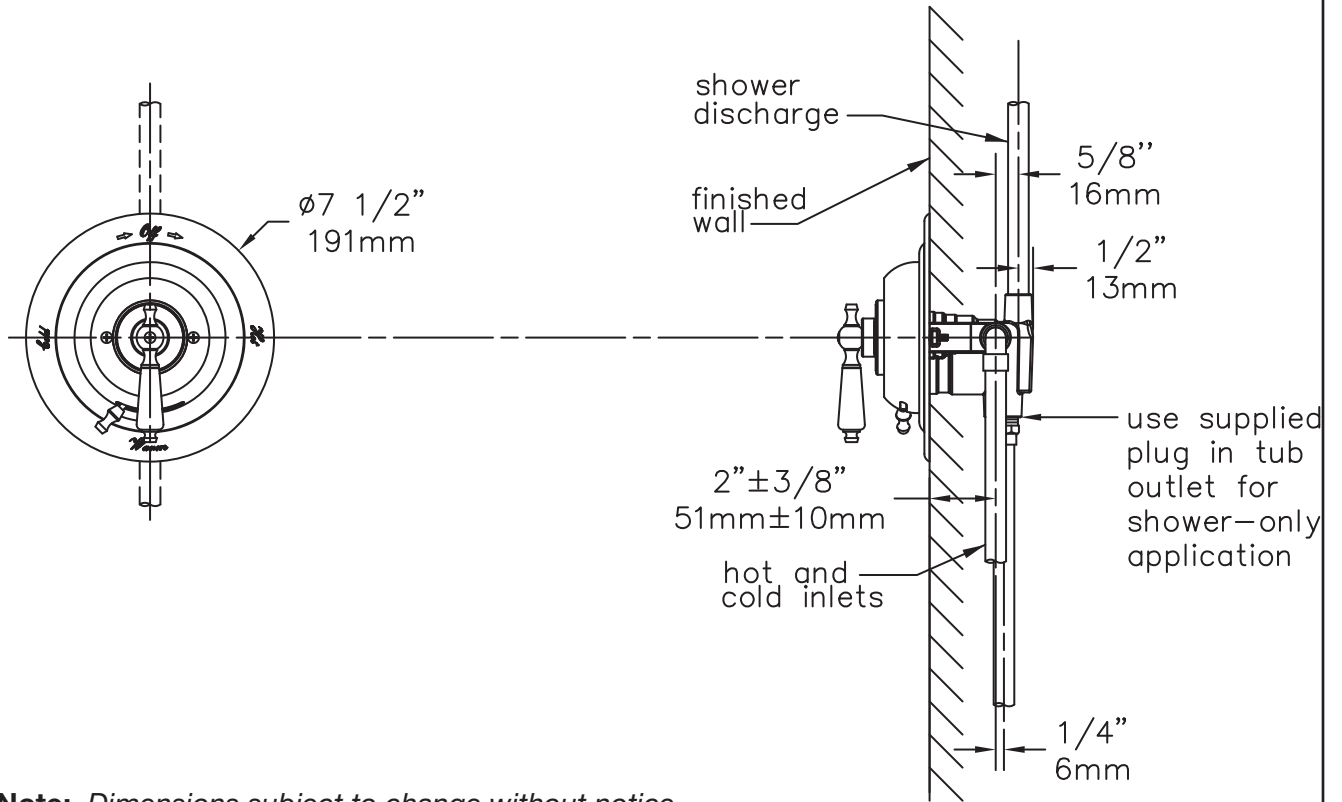
ASME A112.18.1-2005/CSA B125.1-05

---

#### Warranty

- Limited Lifetime - to the original end purchaser in consumer installations.
  - 5 years - for commercial installations
-

## Dimensions Carrington Shower Valve System, S-4400



**Note:** Dimensions subject to change without notice.