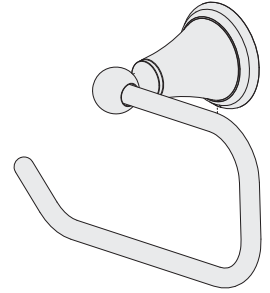




SYMMONS® Lucetta™

Toilet Paper Holder 463TP

Specification Submittal



Model Numbers

- 463TP Toilet Paper Holder

Feature Highlights

- Metal construction,
- Standard finish is polished chrome

Finish Options

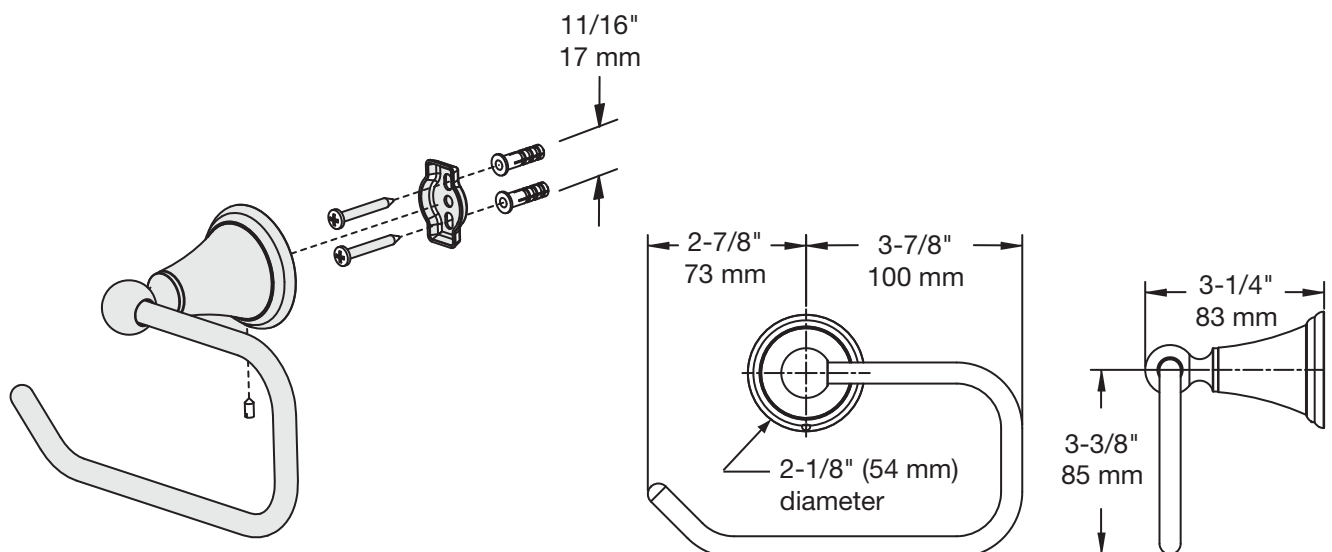
Append appropriate -suffix to model number.

- STN Satin nickel finish
- Polished chrome finish (standard)

Warranty

- Limited Lifetime - to the original end purchaser in residential/consumer installations.
- 5 years - for commercial installations

Dimensions *Lucetta Toilet Paper Holder, 463TP*



Note: *Dimensions subject to change without notice.*

Symmons Industries, Inc. ▪ 31 Brooks Drive ▪ Braintree, MA 02184
 (800) 796-6667, (781) 848-2250 ▪ Fax (800) 961-9621, (781) 843-3849
 Website: www.symmons.com ▪ Email: customerservice@symmons.com

©2008 Symmons Industries, Inc. Printed in U.S.A. ▪ 102808



SYMMONS®
the smart choice™