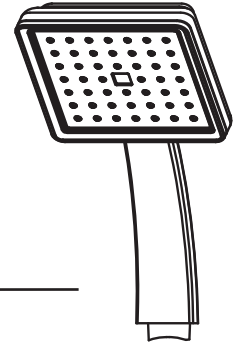


SYMMONS® Oxford™

Hand Shower Wand 422W

Specification Submittal



Feature Highlights

- Single mode hand shower wand
- Metal construction with polished chrome finish

Model Numbers

- 422W..... Hand Shower Wand

Finish Options

Append appropriate -suffix to model number.

- STN Satin nickel finish
- ORB Oil rubbed bronze finish

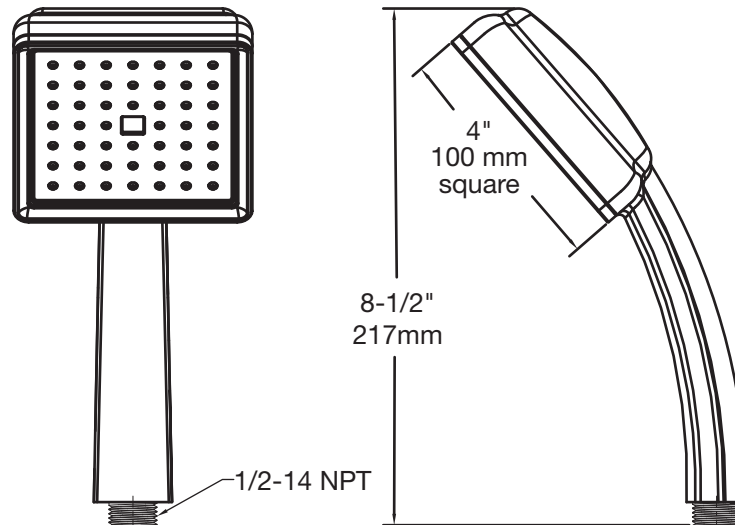
Standards / Certifications

ASME A112.18.1-2005/CSA B125.1-05

Warranty

- Limited Lifetime - to the original end purchaser in consumer installations.
- 5 years - for commercial installations

Dimensions *Oxford Hand Shower Wand, 422W*



Note: *Dimensions subject to change without notice.*

Symmons Industries, Inc. ▪ 31 Brooks Drive ▪ Braintree, MA 02184
 (800) 796-6667, (781) 848-2250 ▪ Fax (800) 961-9621, (781) 843-3849
 Website: www.symmons.com ▪ Email: customerservice@symmons.com