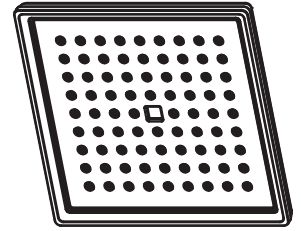


SYMMONS® Oxford™

Showerhead 422SH Specification Submittal



Feature Highlights

- Single mode showerhead
- Metal construction with polished chrome finish

Standards / Certifications

ASME A112.18.1-2005/CSA B125.1-05

Model Numbers

- 422SH..... Hand Shower

Warranty

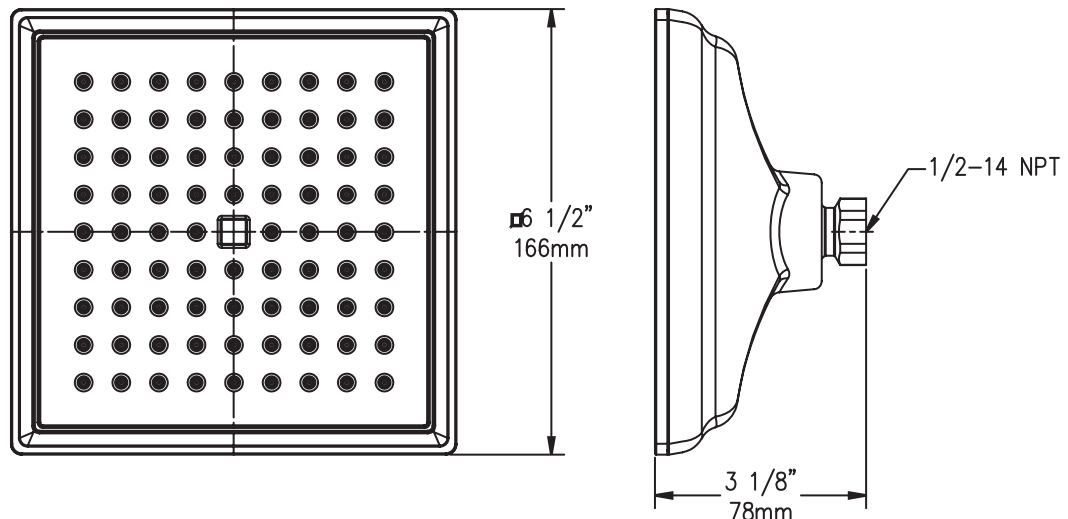
- Limited Lifetime - to the original end purchaser in consumer installations.
- 5 years - for commercial installations

Finish Options

Append appropriate -suffix to model number.

- STN Satin nickel finish
- ORB Oil rubbed bronze finish

Dimensions Oxford Showerhead, 422SH



Note: Dimensions subject to change without notice.

Symmons Industries, Inc. ■ 31 Brooks Drive ■ Braintree, MA 02184
(800) 796-6667, (781) 848-2250 ■ Fax (800) 961-9621, (781) 843-3849
Website: www.symmons.com ■ Email: customerservice@symmons.com

©2008 Symmons Industries, Inc. Printed in U.S.A. ■ 070708

SYMMONS®
the smart choice™