

# Toilet paper holder 413TP

## Specification Submittal

### Model Numbers

- 413TP.....Chrome finish
- 413TP-STN.....Satin nickel finish
- 413TP-PNL.....Polished nickel finish

### Feature Highlights

- Metal construction, polished chrome finish

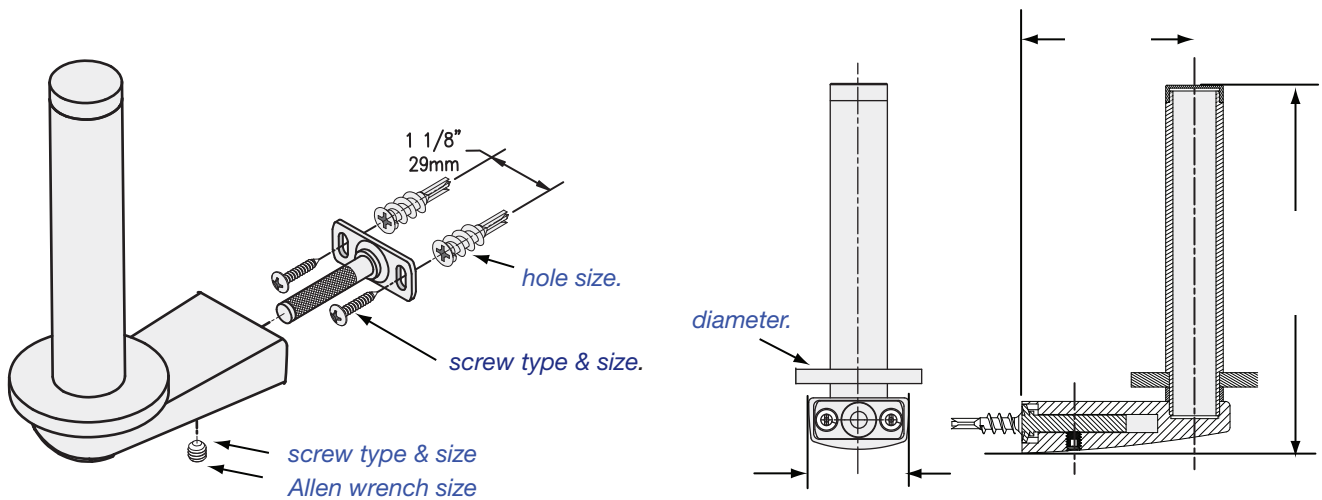
### Standards / Certifications

ASME A112.18.1-2005/CSA B125.1-05

### Warranty

- Limited Lifetime - to the original end purchaser in consumer installations.
- 5 years - for commercial installations

### Dimensions *Naru Toilet Paper Holder, 413TP*



**Note:** Dimensions subject to change without notice.

Symmons Industries, Inc. ▪ 31 Brooks Drive ▪ Braintree, MA 02184  
 (800) 796-6667, (781) 848-2250 ▪ Fax (800) 961-9621, (781) 843-3849  
 Website: [www.symmons.com](http://www.symmons.com) ▪ Email: [customerservice@symmons.com](mailto:customerservice@symmons.com)

©2008 Symmons Industries, Inc. Printed in U.S.A. ▪ 060908



<<< Preliminary >>>