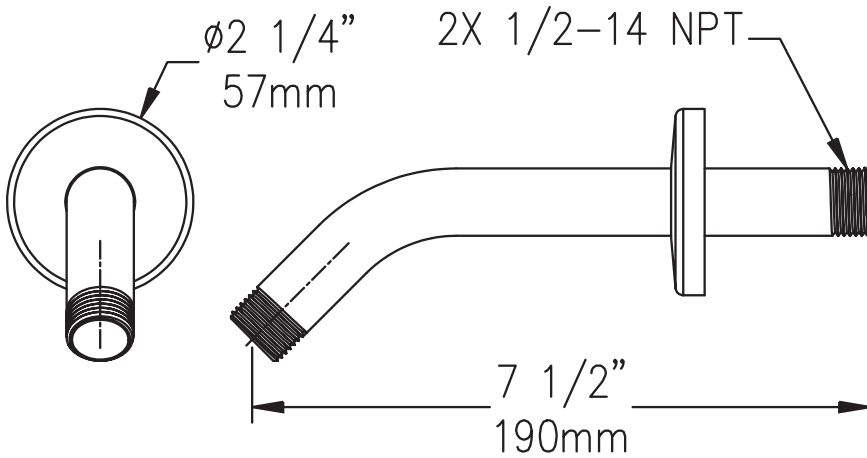
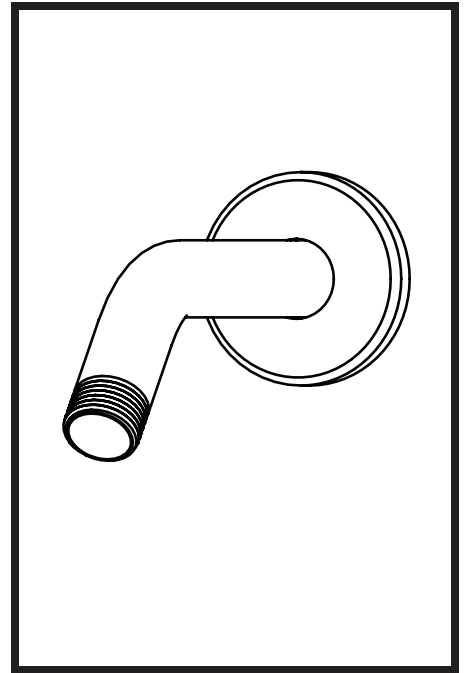


# 300 Shower Arm

Symmons long shower arm with heavy flange.



Job/Location

.....  
.....

Engineer

.....  
.....

Contractor

.....  
.....