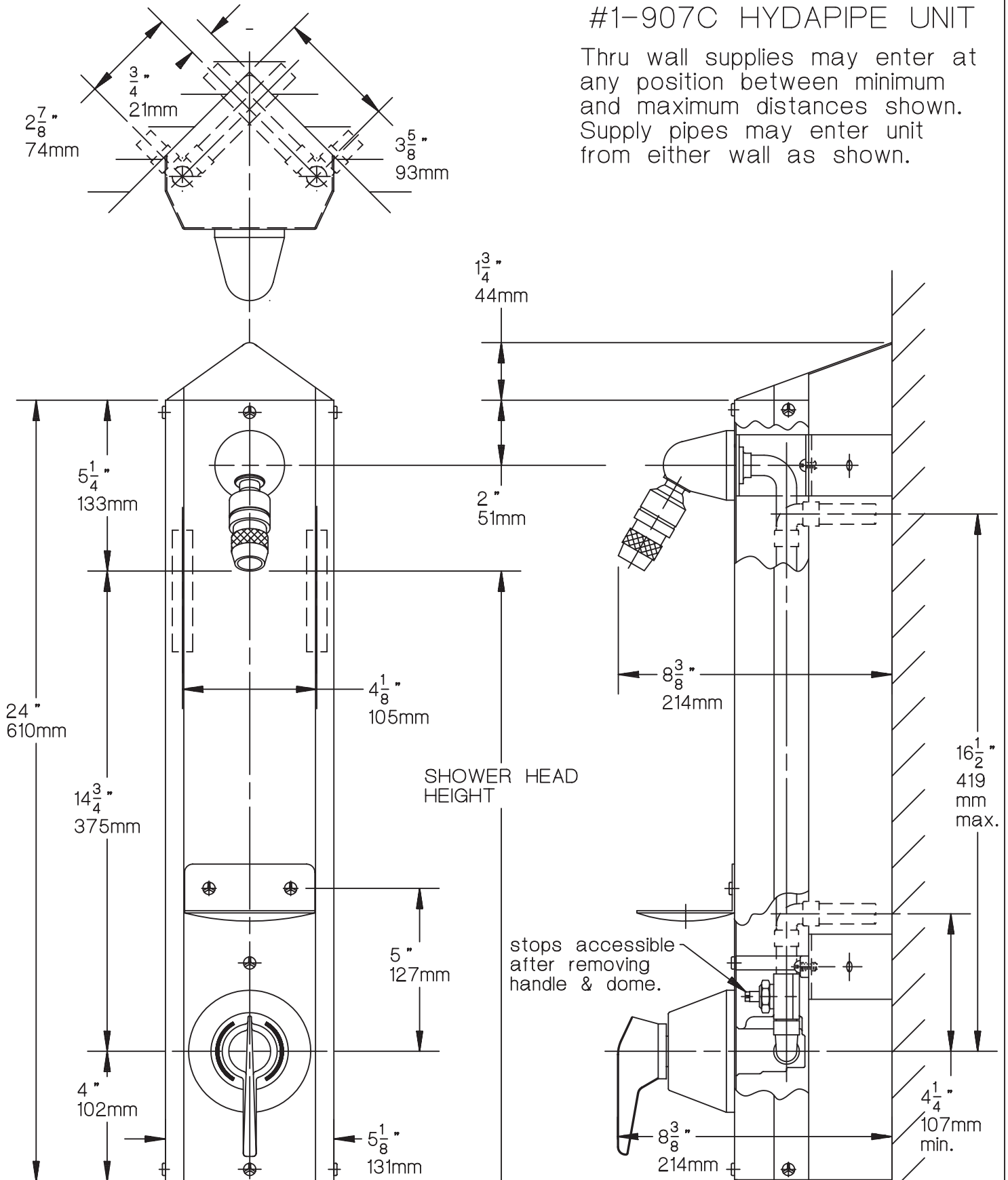


# #1-907C HYDAPIPE UNIT

Thru wall supplies may enter at any position between minimum and maximum distances shown. Supply pipes may enter unit from either wall as shown.



stops accessible after removing handle & dome.

floor line

© 1996-1998 Symmons Industries  
 31 Brooks Drive, Braintree, MA 02184-3804  
 Tel: 1-800-SYMMONS, (781) 848-2250  
 Fax: 1-800-961-9621, (781) 843-3849  
 Website: www.symmons.com

