

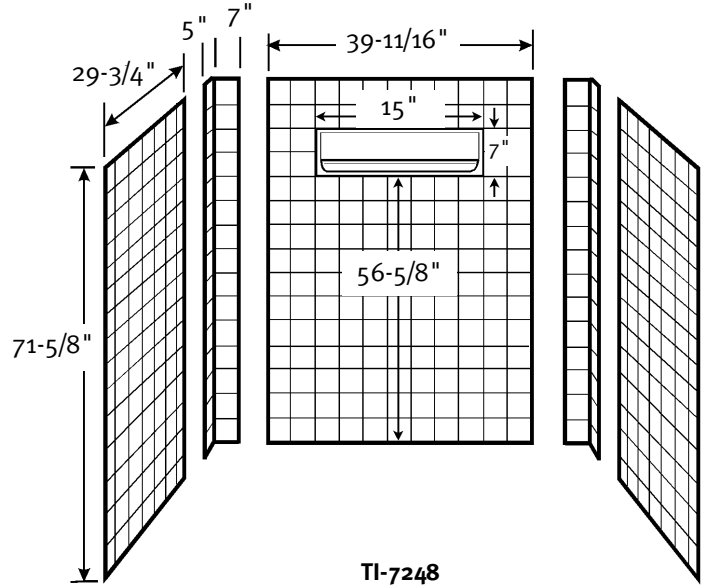


Manufactured from Veritek®  
(see page 2 for detailed information)

WARRANTY  
Limited Lifetime – Residential  
Limited 5-year – Commercial

**FEATURES**

- Elegant look of ceramic tile with no grout to clean
- Compression molded Veritek is a composite material with no surface coating to chip or crack
- For use with Swanstone, Veritek and other standard shower floors
- The TI-7248 is a glue-up 5-piece shower wall panel system



**TI-7248**

Designed to fit wall areas  
31" – 36" deep x 41-1/4" – 51-3/4" wide x 71-5/8" high  
(787 mm – 914 mm x 1043 mm – 1314 mm x 1819)

**SPECIFICATIONS**

**TI-7248 SwanTile Shower Wall Kit**

Model	Part	Wall Area Designed To Fit	Ship Wt. Lb.	Ship UPS	Carton Dims. In.	Cu. Ft.
TI-7248	Tl07248	31" – 36" D x 41-1/4" – 51-3/4" W x 71-5/8" H (787 mm – 914 mm x 1043 mm – 1314 mm x 1819 mm)	85	-	74 x 43 x 8	14.74

Kit Includes: One back panel with molded-in soap dish, two corner panels, two side panels, installation materials and complete installation instructions.

Packaging: Each kit is packed in a flat, rectangular carton.

**COLORS**

(See inside back cover for color sample.)

- White (010)
- Bone (037)
- Bisque (018)

**STANDARDS AND RATINGS**

Class B fire rating  
American Society for Testing and Materials  
National Electrical Manufacturers Association

**SUPPORT DOCUMENTS**

Installation instructions available on line at [www.swanstone.com](http://www.swanstone.com)

**MADE IN USA.**

**MAINTENANCE AND CLEANING INFORMATION**

Wash regularly with non-abrasive, liquid cleaners, a sponge, soft cloth or Mr. Clean Magic Eraser. For hard water stains or mineral build-up, scale removers such as Lime Away, Rust-out or Whink can be used. To protect the finish, fiberglass wax or automotive paste wax can be applied. **Do not** use abrasive cleaners or pads. **Do not** use "leave on" cleaning products such as the Automatic Shower Cleaner. Prolonged contact with harsh chemicals could have an adverse reactive over time and discolor your surfaces. **Do not** use cleaning agents that caution use on acrylic, polyester or plastics.