

# SWANSTONE

## CORNER SOAP DISH

### Model SS-7211

### Installation • Care and Cleaning

#### Included In Carton

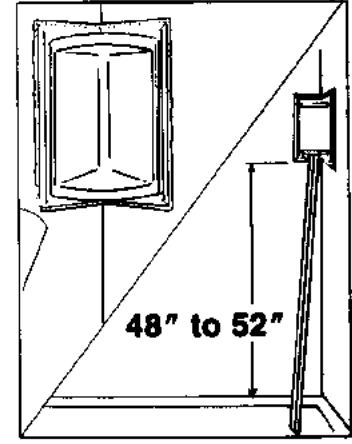
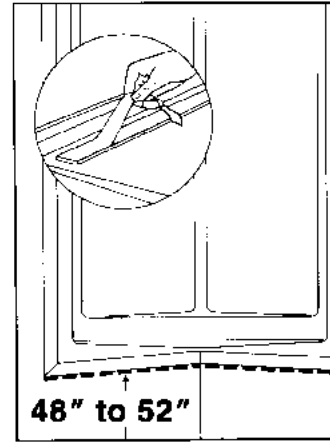
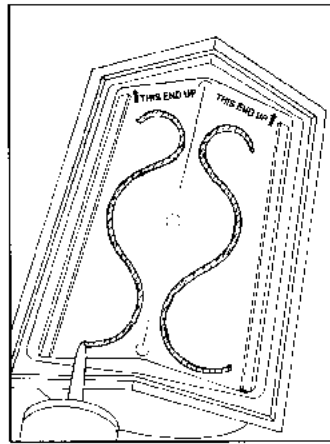
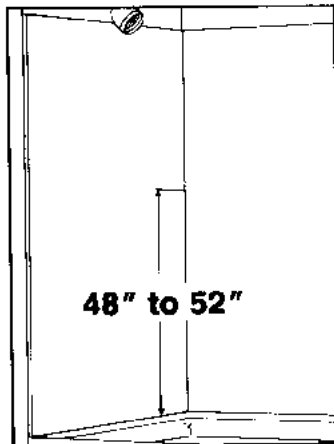
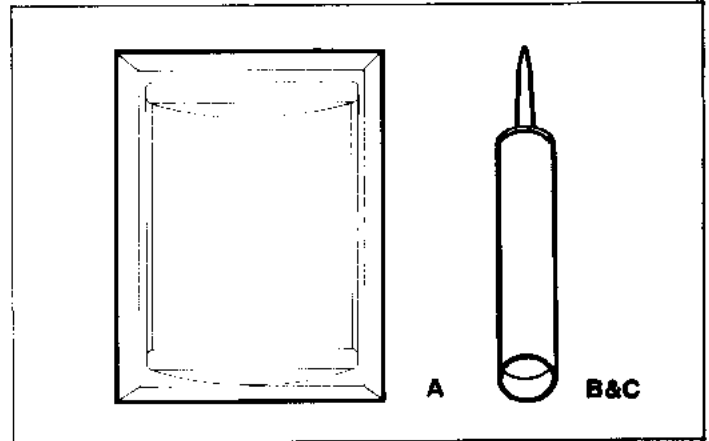
- A One Corner Soap Dish
- B One Tube of Caulk
- C One Tube of Adhesive

#### Surface Preparation

Surface must be dry, smooth, and free of any dirt, soap scum or other contaminants. Wipe surface with a damp cloth.

#### Cleaning

Use normal household detergents and cleansers. Just wiping the wall surfaces quickly removes water marks and residues. Occasional scrubbing with household abrasive cleansers ensures that the original luster is maintained, similar to tile and other permanent type bath fixture materials.



1. Select which corner you wish to locate your corner soap dish. For purposes of convenience, the manufacturer recommends you locate the corner soap dish in the corner nearest the shower head.

Measure up from the ledge of the shower floor 48" to 52" and make a mark on the wall in the desired corner. This is a recommended location of the bottom of the corner soap dish.

2. Apply a 1/8" bead of adhesive (supplied) as illustrated. Keep adhesive at least 1" away from factory applied pressure sensitive tape.

3. Remove backing from factory applied pressure sensitive tape.

**NOTE:** The back side of the corner soap dish is marked "THIS END UP." Properly position and locate. Press into place for a firm fit.

4. Read caulking instructions on the back of the tube of the caulk. Complete installation by caulking around all edges of the corner soap dish. **NOTE:** Caulking applies white and dries clear within 48 hours.

**NOTE:** The weight of the corner soap dish may cause the corner soap dish to "sag" or "slip" down the shower panel. To prevent this, cut a length of board to support the corner soap dish until the adhesive has time to "set-up" (approximately 4 hours).

# SWANSTONE®

## RECESSED ACCESSORY SHELF

### Model AS-1075

### Installation • Care and Cleaning

#### Included in Carton

- A. One Recessed Accessory Shelf
- B. One Tube of Silicone Adhesive

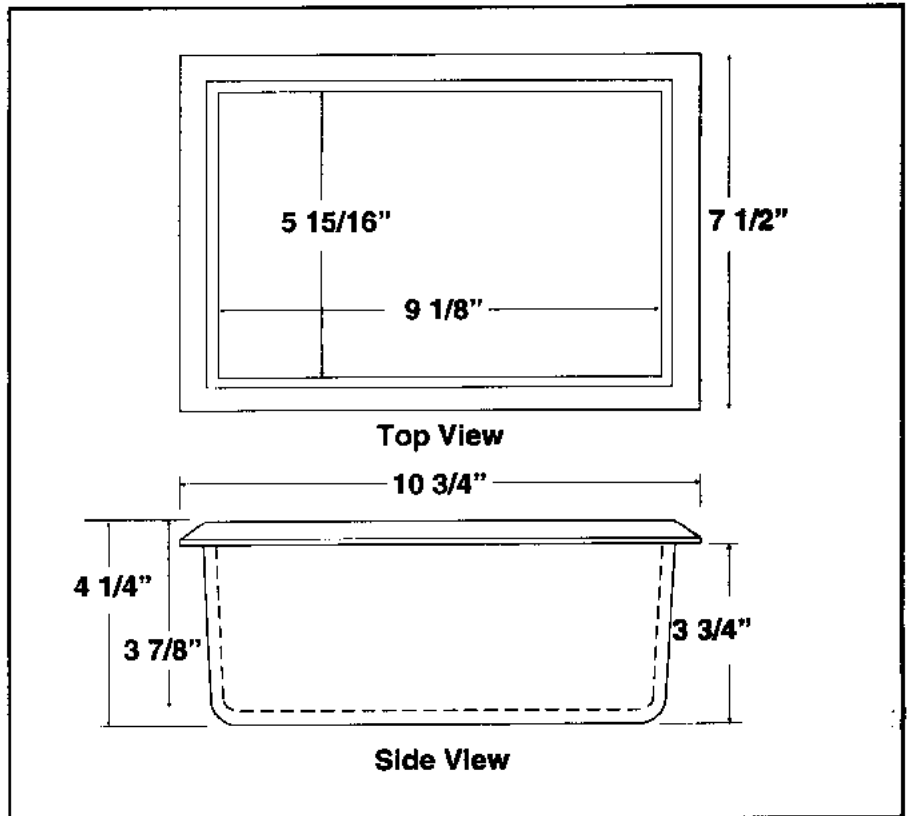
#### Cleaning

Following Installation: Silicone adhesive residue can be cleaned up with mineral spirits.

#### Day-To-Day

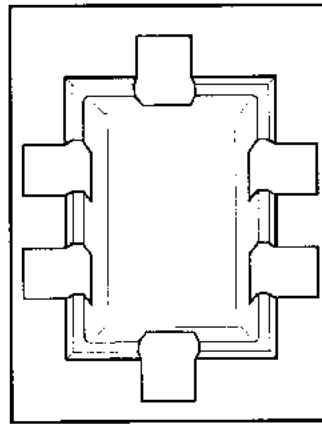
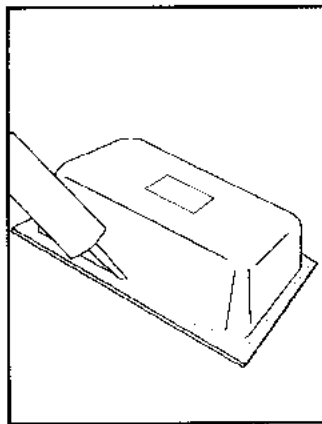
##### Clean-up

Like all Swanstone material, use normal household detergents and cleansers. Just wiping the surface removes water marks and residues. Occasional scrubbing with household abrasive cleaners ensures that the original luster is maintained similar to tile and other permanent bath fixture materials.



1. Select a desirable location for mounting the Swanstone Recessed Accessory Shelf. A stud finder may be used to assist in locating an area which will allow for placement of the unit. The depth of Recessed Accessory Shelf (3 3/4") will not permit any obstruction in the wall (light fixture, electrical wiring, plumbing, etc.). Therefore, it will be necessary to check prior to installation that the area occupied by the Recessed Accessory Shelf is clear of any obstruction.

2. Determine if the placement will be vertical or horizontal and cut a rectangular hole 6 7/16" x 9 11/16".



**IMPORTANT**  
Apply a 1/8" bead of silicone adhesive (supplied) around the inside corner of the Swanstone Recessed Accessory Shelf.

To assist in a secure fit, it is suggested that the Swanstone Recessed Accessory Shelf be held into place with either masking tape or hot glue. Tape the Recessed Accessory Shelf into position, or apply a dab of hot glue in each corner. This will hold the Swanstone Recessed Accessory Shelf in place until the silicone adhesive sets up. Allow 24 hours for drying.