

► **Code Number**

3729702

► **Description**

Sloan® Bedpan Washer Water Closet Flushometer for floor mounted or wall hung top spud bowls. Installation meets ADA height requirements.

► **Flush Cycle**

- 1.6 gpf/6.0Lpf

► **Specifications**

Quiet, Exposed, Diaphragm Type, Chrome Plated Closet Flushometer with the following features:

- High Chloramine Resistant PERMEX® Synthetic Rubber Diaphragm with Linear Filtered Bypass and Vortex Cleansing Action™
- 1" I.P.S. Screwdriver Bak-Chek® Angle Stop with Vandal Resistant Stop Cap
- Vandal Resistant Stop Cap
- Trap Primer
- Vacuum Breaker with Flush Connection
- Spud Coupling and Spud Flange for 1½" Top Spud
- Sweat Solder Adapter with Cover Tube and Cast Wall Flange
- Non-Hold-Open Handle and No External Volume Adjustment to Ensure Water Conservation
- Low Consumption flush accuracy
- Diaphragm, Handle Packing and Vacuum Breaker Molded from PERMEX® Rubber Compound for Chloramine Resistance

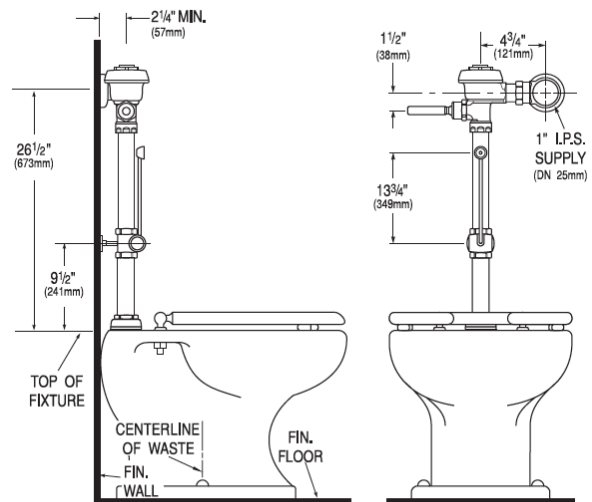
Bedpan Washer Diverter Assembly with the following features:

- Solid One-piece Body Construction
- Solid Brass Spray Arm
- Counter Balanced Pivot Assembly and Diverter Valve Wall Support
- ADA Compliant Metal Oscillating Non-Hold-Open Handle

Valve Body, Cover, Tailpiece and Control Stop shall be in conformance with ASTM Alloy Classification for Red Brass. Valve shall be in compliance to the applicable sections of ASSE 1037 and ANSI/ASME 112.19.2.

► **Accessories (Sold Separately)**

See Accessories Section of the Sloan catalog for available accessories



► **Compliance & Certifications**

Made In The  
**USA**



This space for Architect/Engineer Approval