

► **Code Number**

3315152

► **Description**

Battery Powered, Sensor Activated, Chrome Plated Brass Pedestal Electronic Hand Washing Faucet for tempered or hot/cold water operation.

► **Flow Rates**

0.5 gpm/1.9 Lpm Vandal Resistant Spray Head

► **Specifications**

ADA Compliant, Battery Powered, Sensor Activated, Chrome Plated Cast Brass, Pedestal Hand Washing Faucet with the following features:

- Splash-proof Circuit Control Module
- Vandal Resistant Spray Head with Pressure Compensating Flow Control
- Sensor Range Adjustment Screw
- User Friendly Variable Time Out Settings
- Filtered Solenoid Valve with serviceable Strainer Filter
- Low Battery LED Indicator Light
- Metal Jacketed Wire Protection for Sensor lead
- Includes four (4) AA-size Alkaline Batteries
- Includes appropriate Mounting Hardware
- Mounts on a single-hole lavatory or deck
- Optional 6 VDC Plug-in Adapter available (Batteries act as backup when using optional transformer)

► **Variations**

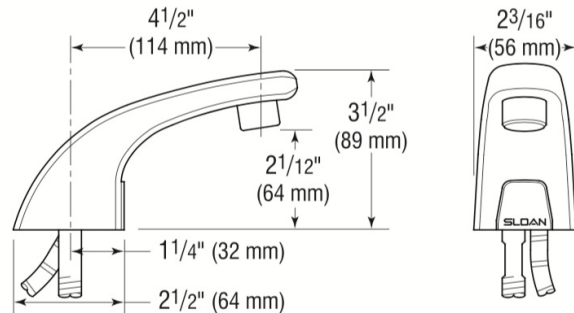
CP - Chrome Plated

8" Trim Plate

► **Accessories (Sold Separately)**

See OPTIMA Accessories Section of the Sloan Catalog for a Complete listing of OPTIMA Faucet Accessories and Variations.

(Specify separately)



► **Hygienic**

The ultimate in sanitary protection — there are no handles to turn or buttons to push. Helps to control the spread of infectious diseases. Ideal for high traffic commercial installations.

► **Economical**

Automatic operation provides water usage savings over other faucet devices. Reduces maintenance and operation costs. Self-adaptive Range Adjustment makes installation quick and easy. Battery operation ideal for Retrofit installations.

► **Automatic Operation**

The Sloan OPTIMA Plus® EBF-615 Battery Powered Hand Washing Faucet operates by means of an infrared sensor. Once the user's hands enter the sensor's effective range, the Solenoid activates the water flow. Tempered water flows from the Faucet until hands are moved away. The Faucet then automatically shuts off and resets for the next use.

► **Compliance & Certifications**

ASME A112.18.1M



This space for Architect/Engineer Approval

### ► Sensor Range

Factory Set: 4" - 5" (102 mm - 127 mm)

Adjustable: 2" - 7" (51 mm - 178 mm)

### ► Time Out Adjustment Settings

30 seconds — The Faucet Time Out Setting determines the maximum time the faucet will run upon continuous activation. The EBF-615 is Factory set at the 30 second time out. Consult factory for time out settings to meet individual application requirements.

### ► Max. Distance Control Module may be installed from Spout

With Standard Cable: 15" (381 mm)

### ► Battery Life

2 Years @ 8,000 Flushes / Month

### ► Control Circuit

Optional 6 VDC plug-in Transformer

6 VDC — operates on four (4) alkaline AA-size batteries. Optional 6 VDC Plug-in Adapter.

### ► Solenoid Valve

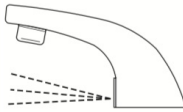
Filtered Solenoid Valve with Serviceable Strainer Filter

### ► Indicator Lights

Range Adjustment

### ► OPERATION

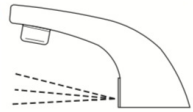
1. A continuous invisible beam of light is emitted from the OPTIMA® Sensor located at the base of the lavatory faucet.



2. As the user's hands enter the beam's effective range, the beam is reflected back into the Sensor Receiver and activates the Solenoid Valve allowing tempered water to flow from the faucet. Water will flow until the hands are removed or until the faucet reaches its automatic time out limit setting.

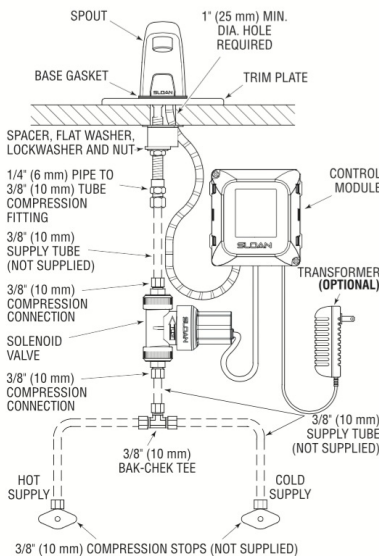


3. When hands are moved away from the OPTIMA® Sensor, the loss of reflected light initiates an electrical signal that deactivates the Solenoid Valve, shutting off the water flow. The Circuit then automatically resets and is ready for the next user.

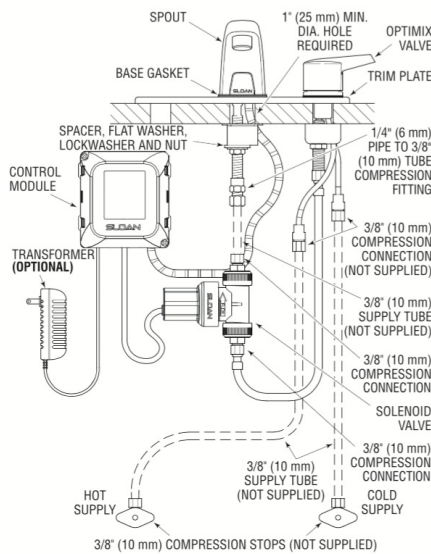


### ► ROUGH-IN

EBF-615 Faucet with Bak-Chek® Tee for Hot and Cold Water Supply (shown with 4" trim plate)



EBF-615 Faucet with ADM Variation Mixing Valve for Hot and Cold Water Supply (shown with 8" trim plate)



EBF-615 Faucet with BDM and BDT Variation Mixing Valves for Hot and Cold Water Supply (shown with 4" trim plate)

