

► **Code Number**

3070803

► **Description**

Exposed, Water Closet Flushometer for back inlet squat toilets.

► **Flush Cycle**

- 1.6 gpf/6.0Lpf

► **Specifications**

Quiet, Exposed, Piston Type, Chrome Plated Closet Flushometer with the following features:

- Non-Hold-Open Handle and No External Volume Adjustment to Ensure Water Conservation

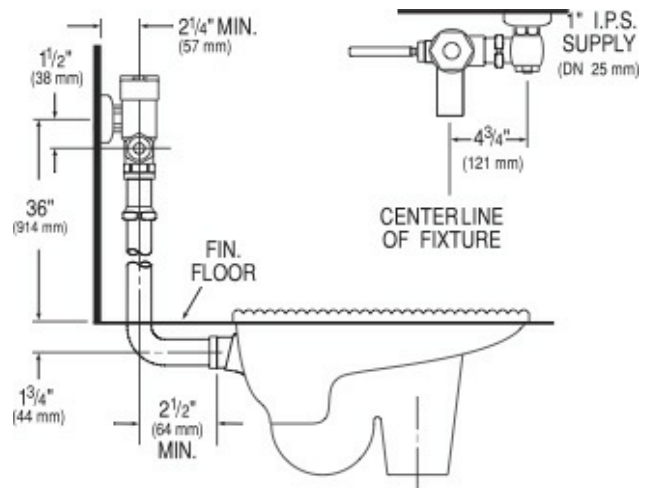
Fixed Volume Piston with Dual Filtered O-ring

- ADA Compliant Metal Oscillating Non-Hold-Open Handle
- Vacuum Breaker Flush Connection
- Wall Flange
- 1" I.P.S. Screwdriver Bak-Chek® Angle Stop with Vandal Resistant Stop Cap
- Diaphragm, Handle Packing and Vacuum Breaker Molded from PERMEX® Rubber Compound for Chloramine Resistance
- "Vacuum Breaker Flush Connection for 1-1/2" Back Inlet"
- High Copper, Low Zinc Brass Castings for Dezincification Resistance

Valve Body, Cover, Tailpiece and Control Stop shall be in conformance with ASTM Alloy Classification for Red Brass. Valve shall be in compliance to the applicable sections of ASSE 1037 and ANSI/ASME 112.19.2.

► **Accessories (Sold Separately)**

See Accessories Section of the Sloan catalog for available accessories



► **Compliance & Certifications**



**Made In The
USA**

This space for Architect/Engineer Approval