

Jar Top Series Valves

Versatility, Value, Convenience

The Rain Bird Jar Top Valve (JTV) provides versatility, reliability, affordability, and ease of service for residential and light commercial applications. The threaded bonnet design allows for tool-free access and maintenance, eliminating the need to remove and replace multiple screws.

Features

Reliability

- Double-filtered pilot flow for maximum reliability
- Balanced-pressure diaphragm for long life
- Buna-N diaphragm with self-cleaning 90-mesh (200 micron) pilot water filter and stainless steel spring
- Energy efficient, low-power encapsulated solenoid with captured plunger

Versatility

- Operates in low-flow and Xerigation® applications when the RBY filter is installed upstream
- Accepts latching solenoid for use with Rain Bird battery-operated controllers
- Available in multiple fitting types
- External bleed to manually flush system of dirt and debris during installation and system start up
- Internal bleed for spray-free manual operation
- Available with optional flow control feature

Ease of Service

- Threaded bonnet provides easy removal with no screws
- Trouble-free service with few parts
- Drop-in diaphragm for effortless maintenance

Operating Range

- Pressure: 15 to 150 PSI (1,0 to 10,3 bar)
- Flow: 1 to 30 GPM (0,23 to 6,82 m³/h; 0,06 to 1,89 l/s); for flows below 3 GPM (0,68 m³/h; 0,19 l/s) or any Xerigation® application, use RBY-100-200MX filter installed upstream
- Operating Temperatures: Water temperature up to 110° F (43° C); ambient temperature up to 125° F (52° C)

Electrical Specifications

- 24 VAC 50/60 Hz (cycles/sec.) solenoid
- Inrush current: 0.30 A (7.2 VA) at 60 Hz
- Holding current: 0.19 A (4.6 VA) at 60 Hz
- Coil resistance: 42-55 Ohms

Dimensions

- Height: 5" (12,7 cm)
- Length: 4" (10,2 cm)
- Length (MxM): 5.4" (13,7 cm)
- Length (MxB): 5.8" (14,7 cm)
- Width: 3 1/8" (7,9 cm)

Models:

- 100-JTV: 1" (26/34) female x female threaded*
- 100-JTV-SS: 1" (26/34) slip x slip
- 100-JTV-MB: 1" male x barb

* BSP threads available; specify when ordering

Valve Pressure Loss (psi)

GPM	JTV psi	Male x Barb psi
1.0	3.3	1.4
3.0	3.3	2.6
5.0	4.3	3.0
10	5.4	3.7
15	5.8	5.2
20	6.2	8.0
30	9.5	15.8

Valve Pressure Loss (bar) METRIC

m ³ /h	l/s	JTV bar	Male x Barb bar
0,23	0,06	0,23	0,10
0,68	0,19	0,23	0,18
1,14	0,32	0,30	0,21
2,27	0,63	0,37	0,26
3,41	0,95	0,40	0,36
4,54	1,26	0,43	0,55
6,81	1,89	0,66	1,09



100-JTV



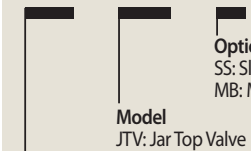
100-JTV-SS



100-JTV-MB

How To Specify

100 - JTV - SS



Size
100: 1" (26/34)

Note: For non-U.S. applications it is necessary to specify NPT or BSP thread type (1" only)

Specifications

ELECTRIC REMOTE CONTROL VALVE

The valve shall be normally closed 24 VAC 50/60 Hz solenoid actuated, balanced pressure type capable of a flow rate of 30 GPM (6,82 m³/h; 1,89 l/s) with a pressure loss not to exceed _____. The valve pressure rating shall not be less than 150 psi (10,3 bars). The valve body and bonnet shall be constructed of high impact weather resistant plastic, stainless steel and other chemical/UV resistant materials. The valve shall have a diaphragm constructed of durable Buna-N rubber material with a clog resistant metering orifice. The valve shall have one 90-mesh (200 micron) pilot filter attached to the diaphragm. The valve shall have one fully encapsulated solenoid with captured plunger.

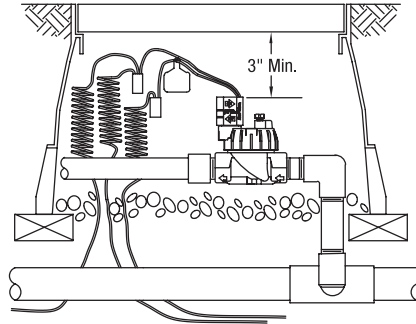
The valve body shall be a 1" globe configuration (26/34) with a _____ inlet and _____ outlet.

The valve shall be actuated by a low power 0.30 A (7.2 VA) inrush current and 0.19 A (4.6 VA) holding current. The valve shall be capable of on/off control by turning the solenoid 1/4 turn. The valve shall provide a flush mode that is manually activated by 1/2 turn of the bleed screw where external porting is permissible.

The valve shall be of a threaded bonnet design and provide for all internal parts to be removable from the top of the valve without disturbing the valve installation.

The diaphragm shall be a drop-in design which can be installed into the valve body with no special alignment tab.

The remote control valve shall be manufactured by Rain Bird Corporation, Glendora, California.



Rain Bird Corporation
6991 E. Southpoint Road
Tucson, AZ 85756
Phone: (520) 741-6100
Fax: (520) 741-6522

Rain Bird Technical Services
(800) RAINBIRD (1-800-724-6247)
(U.S. and Canada)

Rain Bird Corporation
970 West Sierra Madre Avenue
Azusa, CA 91702
Phone: (626) 812-3400
Fax: (626) 812-3411

Specification Hotline
800-458-3005 (U.S. and Canada)

Rain Bird International, Inc.
1000 West Sierra Madre Ave.
Azusa, CA 91702
Phone: (626) 963-9311
Fax: (626) 852-7343

The Intelligent Use of Water™
www.rainbird.com