



**Product Catalog**



**A Cleaner, Greener Approach to Landscape Care.**





American Hydro Systems™ has been focused on the irrigation and landscape market since 1985, and brings a wealth of experience to the needs of our customers. Our proven, complete range of products and systems make installation and treatment easy and effective.



## A Cleaner, Greener Approach to Landscape Care.

### Contents

	<b>Rid O' Rust</b>	<b>Feeder Systems</b>	
Introduction to Rid O' Rust Products	1	Introduction to Feeder Systems	10
About Sprinkler Stains	2	ProFeeder System	11
Rid O' Rust Stain Remover	2	AHS Irrigation System (Siphoning)	12
Rid O' Rust Stain Preventer Formulas	3	PumpHaus	12
Choosing the Right Formula	4	AHS Irrigation System (Injection)	13
Testing the Water	4	Feeder System Pumps & Tanks	14
Dosage Charts	5	Siphoning System Parts	15
		Injection System Parts	16
		Feeder System Installation	17
	<b>Fertilizers &amp; Pest Control</b>	<b>Support</b>	
Introduction to Fertilizer Products	6	Troubleshooting & Solutions	18
Seasonal & Specialized Fertilizers:		Warranty Information	19
LiquidLife Green Up Blend	6	Support Tools	20
LiquidLife Summer/Fall Blend	6	Customer Service	20
LiquidLife Summer/Fall Blend (no phos)	6		
LiquidLife All-Purpose Blend	7		
GrassSoGreen Liquid Fertilizer	7		
Pest Control & Soil Amendments:			
NatureShield All-Natural Pest Repellent	8		
BioBuilder All-Natural Irrigation Additive	9		



To find out more about our easy-to-use products and systems, visit our website:  
[www.americanhydro.com](http://www.americanhydro.com) Or call us at: 1-800-347-7487



## Rid O' Rust® Products

Create the best-looking landscapes on the planet — take the yuck out of using sprinkler systems with Rid O' Rust.™ Remove those ugly rust stains from patios, driveways, walls and landscapes — and prevent them forever. Rid O' Rust products deliver maximum results with minimum work and expense, and delivers a great payback for you. Once a Rid O' Rust system is installed, all you need to do is keep it going.

**Rid O' Rust Remover** removes sprinkler stains immediately

**Rid O' Rust Preventer Formula** prevents stains forever

After Rid O' Rust

Take the **Yuck** out of using well-based sprinkler systems.

**Rid O' Rust** products remove ugly stains from driveways, walls and landscapes and prevents them forever.

Before Rid O' Rust



# About Sprinkler Stains



Many well-based irrigation systems produce stains and deposits on walls, driveways, sidewalks and even on plants, shrubs and trees. A number of different materials present in well water can cause stains and deposits. The color of the stain usually indicates what is causing the problem. Rid O' Rust® products are designed to remove and prevent sprinkler stains with maximum results and minimum work and expense.

## Rid O' Rust® Rust Stain Remover

Removes rust stains right away — just spray the stained surface with Rid O' Rust® Rust Stain Remover using a trigger or pump-type sprayer. No scrubbing or high pressure spraying is necessary. The stain will disappear right before your eyes!

- Biodegradable and non-carcinogenic
- Will not harm grass or shrubs in normal application
- Can be used on most man-made surfaces

### Important:

Test a small area first using instructions on the container. Some surfaces are made using iron oxide (rust) and their color could be affected. Remember, this product removes stains but won't prevent them from coming back. Continue reading to learn how to prevent stains forever.

### Product Information:

#### Rid O' Rust Liquid Rust Stain Remover

Ready to spray on, one gallon will cover approximately 400 square feet. More concentrated stains may require additional applications.

Part No.	Description	Unit Size
2662	Liquid Stain Remover	1 Gallon (4/cs)
2662-PA	Liquid Stain Remover	5 Gallon Pail
2662DR	Liquid Stain Remover	55 Gallon Drum

#### Rid O' Rust Powder Rust Stain Remover

Must be thoroughly mixed with warm water. 12 ounces will provide one gallon of finished solution which will cover approximately 400 square feet. More concentrated stains may require additional applications.

Part No.	Description	Unit Size
2653	Powder Stain Remover	12 oz. Bottle (6/cs)
2653-45	Powder Stain Remover	40 Pound Pail



Before Rid O' Rust



After Rid O' Rust

# Rid O' Rust Rust Stain Preventers



It is one thing to remove existing rust stains; it is another to keep them from coming back. Prevent stains forever by feeding Rid O' Rust® Preventer Formula into a sprinkler system. Rid O' Rust Formula neutralizes the iron in well water so it doesn't create rust and stain surfaces. The Rid O' Rust Formula is introduced into the irrigation line through an American Hydro Feeder System (see pages 12 and 13).

Rid O' Rust Preventer Formulas are the most concentrated and high performance products available. They are mixed with water in the feeder tank, depending on how much iron is in the well water. Simply refill the Rid O' Rust feeder tank on a regular basis, and it's "good bye" to ugly sprinkler stains.

The type of feeder system needed for an installation depends on the type of irrigation system well pump. For more information on feeder installation, proper Rid O' Rust dosage and all our products and systems, please visit our website: [americanhydro.com](http://americanhydro.com).

Rid O' Rust remover and prevention formulas are easy to use and so effective they provide an almost effortless income stream.

## Product Information:

### Formula 500 Original Blend

For water with a pH 6.0 or higher; and hardness 15 gpg or less

Part No.	Description	Unit Size
2656	Formula 500	1 Quart (12/cs)
2656-GL	Formula 500	1 Gallon (4/cs)
2656-PA	Formula 500	5 Gallon Pail
2656-DR	Formula 500	30 Gallon Drum

### Formula 1000 Acidic Well Water Blend

For water with a pH 6.0 or less

Part No.	Description	Unit Size
2665	Formula 1000	1 Gallon (4/cs)
2665-PA	Formula 1000	5 Gallon Pail
2665DR	Formula 1000	55 Gallon Drum

### Formula 2000 Hard Well Water Blend

For water with hardness of 15 gpg or more

Part No.	Description	Unit Size
2666	Formula 2000	1 Gallon (4/cs)
2666-PA	Formula 2000	5 Gallon Pail
2666DR	Formula 2000	55 Gallon Drum

### Formula 3000 Extreme Water Blend

For water with fluctuating pH and hardness

Part No.	Description	Unit Size
2667	Formula 3000	1 Gallon (4/cs)
2667-PA	Formula 3000	5 Gallon Pail
2667DR	Formula 3000	55 Gallon Drum



# Choosing the Correct Formula



One of the most important steps in choosing the correct Rid O' Rust formula is to test the water to determine the degree of hardness and pH of the water, and the amount of iron present. In chemistry, pH measures whether the water is acidic or basic (alkaline). These qualities can vary over time, so we recommend testing the water every six months or at least annually.

### Testing is important!

Turn the irrigation system on and let it run for a few minutes — then take a sample from one of the sprinkler heads. To test it, take the sample to a distributor or visit [www.ridorust.com/watertest](http://www.ridorust.com/watertest) to request a DIY Kit. The Rid O' Rust Formula you need will depend on the results of your testing.

### Product Information:

#### Field Analysis Test Kit

Part No.	Description	Unit Size
2401	Field Analysis Kit	50 tests each (Iron, hardness, pH)

#### Self Test Kit

Part No.	Description	Unit Size
Test-8	Do-It-Yourself Test Kit	2 tests each (Iron, hardness, pH)

#### Replacement Parts for Field Analysis Kit

3493599	Hardness Test Measuring Tube
3493399	Hardness Test Bottle, Square
2025	Hardness #1 1oz.
2027	Hardness #2 1 oz.
2029	Hardness #3 1 oz.
2105	Iron Reagent Foil Pack, 5ml
2031	pH Indicator, Wide Range, 1 oz.
3493699	Dual Test Stand, pH & Iron



Field Analysis Kit

# Getting the Dosage Right



Rid O' Rust Preventer Formulas are powerful concentrates designed to mix with water in your irrigation system feeder tank. The proper dosage is calculated by determining the flow rate of the irrigation system in gallons per minute (GPM) and the maximum feed rate of your metering pump in gallons per hour (GPH). When using a siphoning system, the feed rate will always be 1 gallon per hour, or 24 gallons per day (GPD). Please use the Rid O' Rust Dosage Charts below to calculate proper dosage and approximate hours of operation for your Rid O' Rust Formula application.

## Dosage Calculation Procedure:

1. Estimate the maximum flow rate of the irrigation system. If in doubt, multiply the number of heads on the largest zone by 3 gallons per minute.
2. Find that flow rate in the left hand column of the chart at right. Round up if between listed flow rates.
3. Find your metering pump on the heading of the chart, using the maximum feed rate. The feed rate of the pump is shown on the data plate of the pump, in GPH (gallons per hour) or GPD (gallons per day).
4. Determine the feed rate setting (%) you want. The slower the feed rate, the longer a full tank of Rid O' Rust Preventer formula will last before needing a refill.
5. Match up the column for the feed rate with the row for the maximum flow rate to find your multiplier number.
6. Multiply this by the PPM of iron in the well water to find the estimated dosage of Rid O' Rust formula needed. Pour this amount of formula in the feeder tank and fill the tank with water. (See page 4 for more about determining the PPM of iron.)

Use our easy dosage calculator on your mobile device or online at:

[www.ridorust.com/calculator](http://www.ridorust.com/calculator)



Multiplier Numbers: Dosage Calculation								
Based on 30 Gal Tank	Pumps by Maximum Feed Rate							
	5 GPD (21 GPH)	10 GPD (42 GPH) or 11 GPD (45 GPH)			22 GPD (92 GPH)			Siphoning
	Fixed	Percent Setting			Percent Setting			24 GPD 1 GPH
50%		75%	100%	50%	75%	100%		
10 GPM	0.85	0.85	0.66	0.43	0.39	0.26	0.20	0.18
15 GPM	1.29	1.29	0.84	0.64	0.59	0.39	0.29	0.27
20 GPM	1.71	1.71	1.13	0.86	0.78	0.52	0.38	0.36
25 GPM	2.15	2.15	1.41	1.07	0.98	0.65	0.49	0.45
30 GPM	2.57	2.57	1.89	1.29	1.17	0.78	0.59	0.54
40 GPM	Not Recommended				1.56	1.04	0.78	0.72
50 GPM					1.95	1.31	0.98	0.90
60 GPM					2.34	1.57	1.19	1.06
70 GPM					2.74	1.83	1.37	1.26
80 GPM					3.13	2.09	1.57	1.44
90 GPM					3.52	2.35	1.76	1.62
100 GPM					3.91	2.60	1.96	1.80

### Example:

Assume a maximum flow rate of 25 GPM, a 10 GPD pump set at 50% and an iron content of 2:

Note: Rid O' Rust is dosed in **gallons** for Formulas 1000, 2000 and 3000 and **quarts** for Formula 500

### 10 GPD

percent setting:

50%

|

25 GPM — 2.15

### Final Calculation:

$2.15 \times 2 = 4.30$  (multiplier x iron) = amount of Rid O' Rust to add to tank

Multiplier Numbers: Hours of Operation								
Hours of Operation before refill	Pumps by Maximum Feed Rate							
	5 GPD (21 GPH)	10 GPD (42 GPH)			22 GPD (92 GPH)			Siphoning
	Fixed	Percent Setting			Percent Setting			24 GPD 1 GPH
50%		75%	100%	50%	75%	100%		
Tank Size	100%	50%	75%	100%	50%	75%	100%	1 GPH
30 Gallon	143 Hours	142 Hours	94 Hours	71 Hours	65 Hours	43 Hours	33 Hours	30 Hours
65 Gallon 2.25 x the amount of Rid O' Rust	309 Hours	309 Hours	203 Hours	155 Hours	141 Hours	94 Hours	71 Hours	65 Hours
100 Gallon 3.33 x the amount of Rid O' Rust	476 Hours	476 Hours	313 Hours	238 Hours	216 Hours	145 Hours	109 Hours	100 Hours

## Liquid Fertilizer Options

American Hydro offers a range of professional liquid fertilizer formulas created to deliver lush plant growth and beautiful landscapes throughout the growing season. All our liquid fertilizer products are designed to be introduced through an irrigation feeder system, supporting healthy, pest-resistant plants and a more gentle effect on the environment.

### LiquidLife™

LiquidLife™ Formulas are advanced liquid fertilizers designed for use by landscape professionals to achieve outstanding results in plant nutrition. They stimulate deeper root development so less water is used and gardens and landscapes will be more naturally resistant to disease, pests and drought. LiquidLife is a premium quality liquid plant food concentrate specially formulated to feed gardens, lawns and landscapes through a ProFeeder System. (See page 11.)

### GrassSoGreen®

GrassSoGreen is an environmentally-friendly liquid fertilizer designed to be delivered through an American Hydro Feeder System. (See pages 12 and 16). GrassSoGreen® won't burn lawns and its regular doses of small quantities of nutrients provide a beautiful landscape throughout the entire watering season.

- Mixes in the tank with Rid O' Rust Preventer Formula
- Enhances greening with a nitrogen-rich solution
- Will not run off and pollute bodies of water

LiquidLife™  
PROFESSIONAL SERIES

GrassSoGreen®



ProFeeder™





# Liquid Fertilizers

## Green Up Blend 1G

A nitrogen-rich naturally based fertilizer, formulated as an early-season green up blend suitable for both cool and warm season grasses.

## Summer/Fall Blend 2G

### Phosphorous Free Summer/Fall Blend 3G

An all-purpose fertilizer for the entire landscape – turf, bedding plants, shrubs and trees. Also available in a phosphorus free formula.

## All-Purpose Blend 4G

This balanced blend is suited for both cool and warm season grasses, trees, shrubs, vegetables and ornamentals in soils with a neutral to high pH or calcareous desert soils.

## GrassSoGreen

GrassSoGreen® won't burn lawns and its regular doses of small quantities of nutrients provide a beautiful landscape throughout the entire watering season.

### Product Information:

#### Green Up Blend 1G

Part No.	Description	Unit Size
F1G-1	Green Up Blend 23-0-0	1 Gallon: (4/cs)
F1G-2.5	Green Up Blend 23-0-0	2.5 Gallon: (2/cs)
F1G-275	Green Up Blend 23-0-0	275 Gallon

#### Summer/Fall Blend 2G

Part No.	Description	Unit Size
F2G-1	Summer/Fall Blend 16-6-4	1 Gallon: (4/cs)
F2G-2.5	Summer/Fall Blend 16-6-4	2.5 Gallon: (2/cs)
F2G-275	Summer/Fall Blend 16-6-4	275 Gallon

#### Phosphorous Free Summer/Fall Blend 3G

Part No.	Description	Unit Size
F3G-1	Summer/Fall No Phos Blend 14-0-7	1 Gallon: (4/cs)
F3G-2.5	Summer/Fall No Phos Blend 14-0-7	2.5 Gallon: (2/cs)
F3G-275	Summer/Fall No Phos Blend 14-0-7	275 Gallon

#### All Purpose Blend 4G

Part No.	Description	Unit Size
F4G-1	All-Purpose Blend 7-7-7	1 Gallon: (4/cs)
F4G-2.5	All-Purpose Blend 7-7-7	2.5 Gallon: (2/cs)
F4G-275	All-Purpose Blend 7-7-7	275 Gallon

#### GrassSoGreen

Part No.	Description	Unit Size
2655	GrassSoGreen Fertilizer 19-0-0	1 Gallon: (4/cs)



# All-Natural Pest Control



American Hydro Systems offers a family of effective, all-natural pest control formulas designed to deliver organic bio-nutrients to a landscape and keep away unwanted pests. They're applied through the sprinkler system every time you water. Best of all, they're completely natural products that reinvigorate the landscape, provide a safe, effective pest barrier and are polite to the environment.

## NatureShield™

NatureShield™ Professional Series products are designed for landscape professionals. Advanced and highly-concentrated, all-natural Pro Series products are tested and refined for outstanding results when applied as directed.

### NatureShield

NatureShield is the only pest control product on the market that integrates a proprietary blend of essential oils to create an all-natural pest barrier around an entire landscape. To provide maximum efficiency in application, NatureShield is formulated for use with the ProFeeder.

### 8 oz. NatureShield\*

The 8 oz. NatureShield can be added to any gallon size of LiquidLife or BioBuilder to create a pest free barrier for outdoor living spaces.

\*The blends of NatureShield with Green Up Fertilizer (F1-NS) and NatureShield with Summer/Fall Fertilizer (F2-NS) have been discontinued. However, LiquidLife fertilizers with the power of NatureShield pest-repellant are still available by mixing 8 ounces of NatureShield with any 1 gallon size of LiquidLife or BioBuilder.

### Product Information:

#### NatureShield Series (All-Natural Pest Repellant)

Part No.	Description	Unit Size
NS-8	NatureShield All-Purpose Pest Control	8 oz (12/cs)
NS-1	NatureShield All-Purpose Pest Control	1 Gallon (4/cs)
NS-2.5	NatureShield All-Purpose Pest Control	2.5 Gallon (2/cs)
NS-275	NatureShield All-Purpose Pest Control	275 Gallon

**NatureShield™**  
ALL-NATURAL PEST REPELLANT

NatureShield is completely safe and exempt from registration with the U.S. Environmental Protection Agency under FIFRA section 25(b) regulations soil



# All-Natural Soil Ammendment



## BioBuilder

### All-Natural Plant Stimulant

BioBuilder™ is a potent, all-natural fertilizer additive and botanical supplement. Its blend of natural ingredients combine to grow more robust plants with deeper root systems that are both insect and stress resistant.

Though BioBuilder's energy release level may be equivalent to a 1-1-1 product, it should not be considered a fertilizer. Like NatureShield, BioBuilder is optimized for slow feed application through the ProFeeder but can also be used in other devices.

BioBuilder is a combination of natural non-toxic food grade materials including fish oils, seaweed, humic acids, fulvic acids, amino acids, organic acids, vitamins B-1, B-12, and molasses. It also has proprietary blends of organic and natural materials that support beneficial organisms found naturally in the soil eco-system.

BioBuilder also employs beneficial microbes to turn soil that is fully depleted or just beginning to degrade into a thriving ecosystem — capable of sustaining nutrients and promoting healthy plant growth.

### BioBuilder builds soil and eco-systems naturally:

- Increases the ability of plants to take in and absorb stored and recently applied nutrients
- Works like a chelating agent to make existing nutrients more available
- Helps buffer pH in soils with existing pH problems
- Helps build a biologically active ecosystem in soil
- Creates more responsive turf with fewer nutrients
- Creates healthier, more aggressive turf with increased immunity levels and stress tolerances
- Compatible with most fertilizers and pesticides

**All LiquidLife Fertilizers contain 30% BioBuilder**

### Product Information:

#### BioBuilder (Organic Based Fertilizer Additive)

Part No.	Description	Unit Size
F7-1	Organic Based Fertilizer Additive	1 Gallon (4/cs)
F7-2.5	Organic Based Fertilizer Additive	2.5 Gallon (2/cs)
F7-275	Organic Based Fertilizer Additive	275 Gallon

# BioBuilder



**BioBuilder promotes healthy plant growth**



## About Feeder Systems

Our Irrigation Feeder Systems are designed to introduce a range of liquid rust prevention, fertilizer, pest control and soil replenishment formulas into sprinkler system water. They do all the work of maintaining healthy, robust plants and soils and creating a clean and green landscape every time a landscape is watered. Because only small amounts of nutrients and formulas are introduced into the ecosystem at one time, feeder systems are also gentle on the environment.

### ProFeeder™ System

The ProFeeder System is a simple, water-driven injection system that automatically feeds fertilizer and other products into the irrigation main line, based on the water flow. Once installed, users can simply connect a bottle of formula to the ProFeeder and let the system go to work!

### American Hydro Irrigation Feeder Systems

American Hydro's Irrigation Feeder Systems deliver liquid fertilizer and Rid O' Rust formulas into a sprinkler system's main line. Injection Feeder Systems are used with a below-ground well pump, and consist of a tank and lid, an injection pump and a pump-start relay. Siphoning Feeder Systems are used with above-ground well pumps. Durable and weatherproof, they consist of a sturdy tank and lid and all parts needed for plumbing. Both proven systems are easy to install and use.



# ProFeeder System

## Fertilize and control pests at the same time with a sprinkler system.

Let the sprinklers do the work! ProFeeder™ offers fully automatic operation. It connects directly to a sprinkler system to continually fertilize and repel pests as you water. Suitable for all types of irrigation systems.

## Simple and safe. Better for the environment.

Micro-feeding technology fertilizes plants gradually, instead of in one large dose which can threaten the environment with excess nutrients that leach into lakes and rivers. It's safe to use around children and pets when used as directed.

## Protect & feed an entire landscape.

Suitable for gardens, new and established lawns, shrubs, trees, flowers, vegetables, fruit, natives and potted plants.

- No mixing, no pouring, no mess
- Saves time, water and money
- Fully automatic operation
- Compatible with most sprinkling systems
- Reduces transplant shock

## World's most advanced plant food is a Snap to use.

Once your ProFeeder is installed, grab a bottle of LiquidLife™ plant food, attach the hose, prime, and your ProFeeder will do the rest! Our QuickConnect™ technology allows you to change bottles on the fly.



ProFeeder and fertilizer are hidden inside valve box below ground level



## Product Information:

### ProFeeder System

Part No.	Description	Unit Size
P1X	ProFeeder	
P1X-ETC5G	Stow N' Flow Contains: ProFeeder, Tank and Jumbo Valve Box	5 Gallon
P1X-5G	ProFeeder w/5 gallon custom tank	5 Gallon

### ProFeeder Replacement Parts

Part No.	Description	Unit Size
5GT	5 Gallon Tank w/connections	5 Gallon
5GT-JVB	5 Gallon Tank w/connections and Jumbo Valve Box	5 Gallon
12GT	12 Gallon Tank w/connections	12 Gallon
12GT-JVB	12 Gallon Tank w/connections and Jumbo Valve Box	12 Gallon
P1X-SVC PLUG	ProFeeder Winterizing Service Plug	
A1X-GTS	P1X Internal mechanism	
A1X-UP	P1X Pump Top	
A1X-TK-1	P1X Tubing Kit	

## CONTROL SYSTEM



ProFeeder System

# Siphoning Feeder System



## Prevents ugly sprinkler stains and fertilizes the easy way.

Siphoning Feeder Systems are very simple; they have no moving parts. They are installed on the intake side of a sprinkler pump, and when the pump turns on, the solution of Rid O'Rust and water is automatically drawn from the feeder tank.

**Note:** Because they only work properly when installed on the intake side of a well pump, siphoning feeder systems can only be used with above ground sprinkler pumps.

## Protect and feed an entire landscape with a Siphoning Feeder System.

- Feeds at the rate of approximately one gallon per hour
- Provides 30 hours of operation
- Easy to install and service, no moving parts
- Removable flip off lid
- UV resistant
- Friendly to plants and animals

## The PumpHaus™

Protect your above-ground pump from the elements with our sturdy PumpHaus™. It fits all types of outdoor pumps and protects motors from rusting out.

- Rugged one piece construction
- Non-rusting
- UV-resistant
- Fits most pumps
- Allows for air circulation
- Easy to install
- Cut-out template for discharge line
- Feet can be secured to a base
- Lifetime warranty



## Product Information:

### American Hydro Irrigation Feeder System – Siphoning

Part No.	Description	Unit Size
2650	Siphoning System (Includes tank and top, all necessary plumbing and tubes  Tank has removable flip off lid Size: 32" x 18" diameter Weight: 14 lbs.	30 Gallon
2660	Fertigation & Repeligation System For use with LiquidLife, NatureShield, BioBuilder & GrassSoGreen.	15 Gallon

### PumpHaus Pump Protector

Part No.	Description	Unit Size
265075	PumpHaus Above-ground pump cover: Size: 22" x 15.5" x 18.5" Fits most pumps	1 each



# Injection Feeder System

## Prevents ugly sprinkler stains and fertilizes at the same time.

An Injection Feeder System can be used with any type of sprinkler pump — above ground or submerged — as well as a city water system, to inject Formula and/or fertilizer into lawn irrigation lines. The system consists of a small metering pump, pump start relay, all necessary tubing and valves, and a feeder tank.

The metering pump sends solution from the feeder tank into the irrigation line when the irrigation system is turned on. An injection system can be installed outside, exposed to the elements, or inside, in a garage or basement.

It must be close to a power source and near the irrigation system's controls, where it will be connected. The injection point into the irrigation line can be as far away from the metering pump as 75 feet.

## Protect your home and landscape with an Injection Feeder System.

- Prevents rust stains and scale caused by well water
- Easy installation with new and existing irrigation systems
- Automatically operates every time the irrigation system runs
- Friendly to plants and animals

### Product Information:

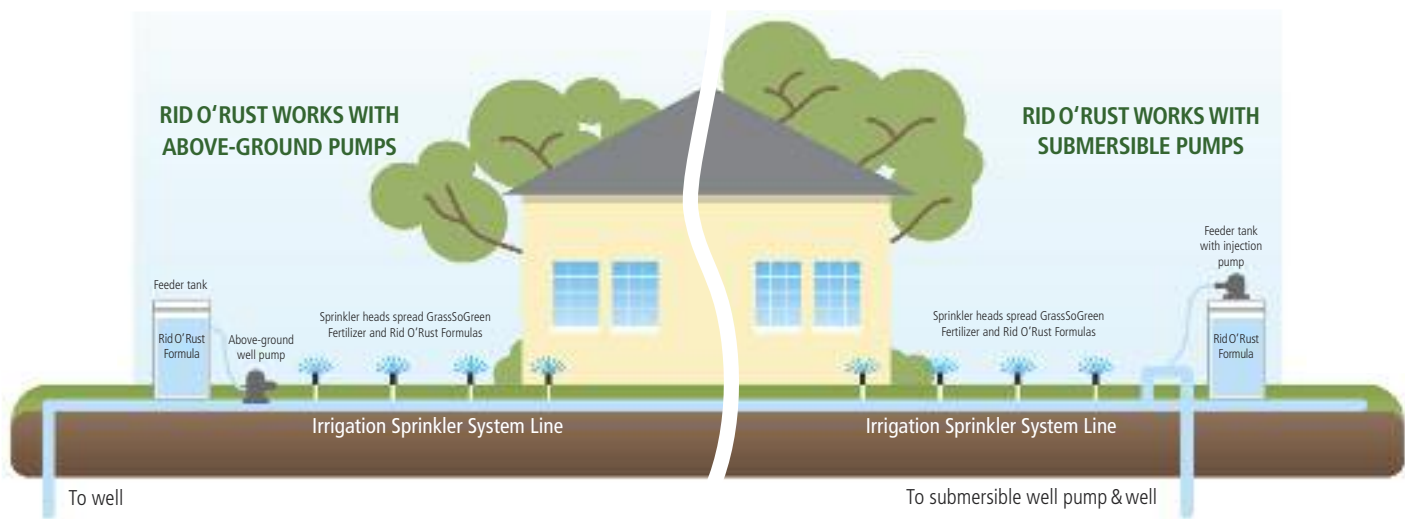
#### American Hydro Irrigation Feeder System – Injection

Part No.	Description	Unit Size
2670	Injection System	30 Gallon
(Includes 30 gallon tank and top, 5 GPD pump and 110V Pump Start Relay in enclosure plus a water test kit, instructions and Owners Manual)		

#### American Hydro Pump Start Relay

Part No.	Description
2810	110V, 20 Amp Plugged Pump Start

The industry's **ONLY** pump start with plugs! Stop voiding your warranty by cutting the pump plugs and hard-wiring them. Simply wire the American Hydro Pump Start Relay to the controller and plug in the pump.



# Feeder System Pumps & Tanks



American Hydro offers proven, top-quality injection system pumps and a wide range of sturdy feeder tanks to accommodate any custom application. For new Injection Feeder Systems, use the chart on page 5 to determine the proper pump needed for a given flow rate. All Irrigation Feeder Systems include the tank as part of the system.

## Peristaltic Metering Pumps for Indoor Installations

Characteristics:

- 100 psi maximum operating pressure
- Self priming
- Requires housing if used outdoors
- Maximum lift on intake side, approximately 20 feet; maximum discharge length, 75 feet
- Relatively quiet operation

## Diaphragm Metering Pumps for Outdoor Installations

Characteristics:

- 110 psi maximum operating pressure
- Self-priming
- “Weatherable,” requires no housing to protect it from rain or snow
- Maximum lift on intake side approximately 10 feet; maximum discharge length 75 feet
- Noticeable “thumping” sound when operating

## Product Information:

### Peristaltic Pump – Indoor Use

Part No.	Description	Unit Size
2678	Stenner 85MPHP5 Fixed feed rate	5 gpd
2688	Stenner 45MHP10 Adjustable feed rate up to	10 gpd
2692	Stenner 45MHP22 Adjustable feed rate up to	22 gpd

Note: 110V Pumps only

### Diaphragm Pump – Outdoor Use

Part No.	Description	Unit Size
2701	Neptune PZ-31VFC Adjustable feed rate up to	11 gpd
2702	Neptune PZ-61VFC Adjustable feed rate up to	22 gpd

Note: The Neptune pump can operate with either 110 or 220 volt.

### Injection System Feed Tanks

Part No.	Description	Unit Size
265064	15 Gallon (not shown)	14" x 24"
265057-S	30 Gallon, Siphoning system	18" x 32"
265057-I	30 Gallon, Injection system	18" x 33"
265059-100	100 Gallon	31" x 43"



Stenner Peristaltic Pump 2678



Neptune Diaphragm Pump 2701



265057-S



265057-I



Stenner Peristaltic Pump 2692



265059-100



# Siphoning System Parts

Use this guide to order spare and replacement parts for your Siphoning Feeder System.

## In-Line Filter

The In-Line Filter assembly, with the metering jet positioned after the filter, prevents the metering jet from becoming blocked by well water sediment.

## Cut-off Valve (optional)

The Cut-off Valve is installed after the check valve and enables the user to disengage the siphoning system completely. This feature is very useful when the feeder system is being used to fertilize only.

## Product Information:

### American Hydro Irrigation Feeder System – Injection

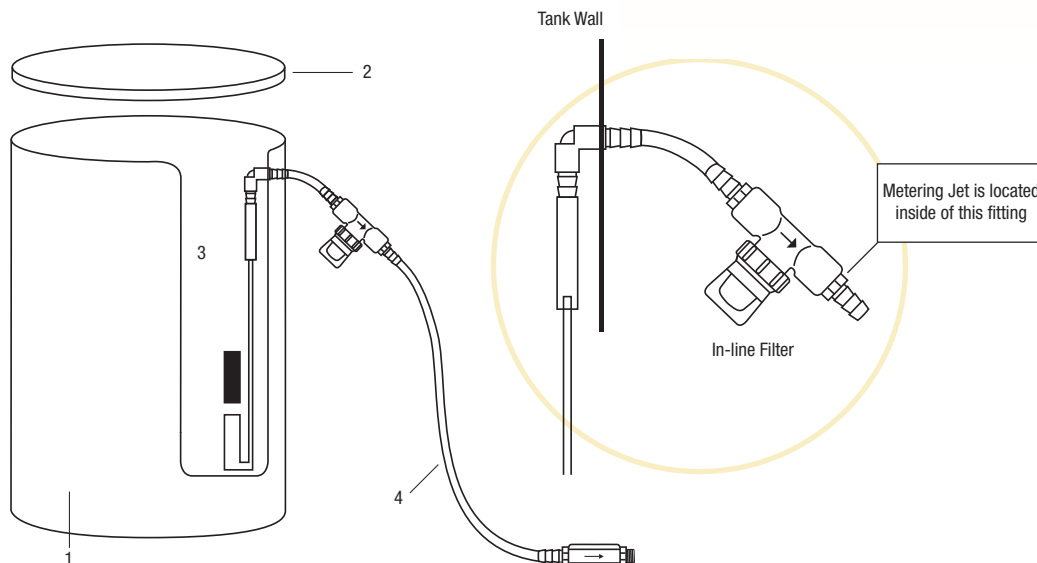
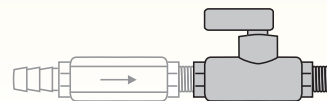
Key	Part No.	Description
1	265057-S	30 Gallon tank & top
2	265058-S	Replacement top
3	265070	All inside parts/siphoning system
4	265071	All outside parts/siphoning system
x	265066	Saddle clamp
x	265072	“The Works” — all parts/siphoning system
x	2650-Kit	2 Metering jets, 2 foot valve sleeves, 2 ties
x =		Not illustrated

### Cut-Off Valve

Key No.	Part No.	Description
N/A	265065	Cut-off valve



Siphoning Feeder System



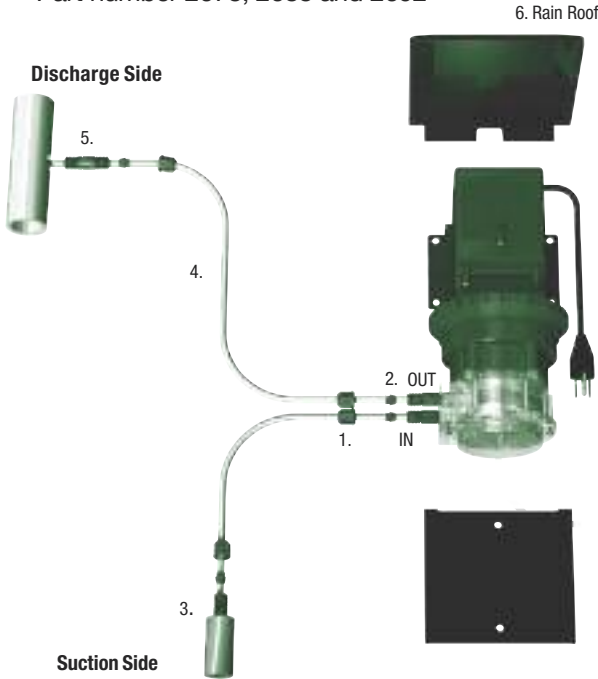
# Injection System Parts



Use this guide to order spare and replacement parts for your Injection Feeder System.

## Stenner Peristaltic Pump

Part number 2678, 2688 and 2692

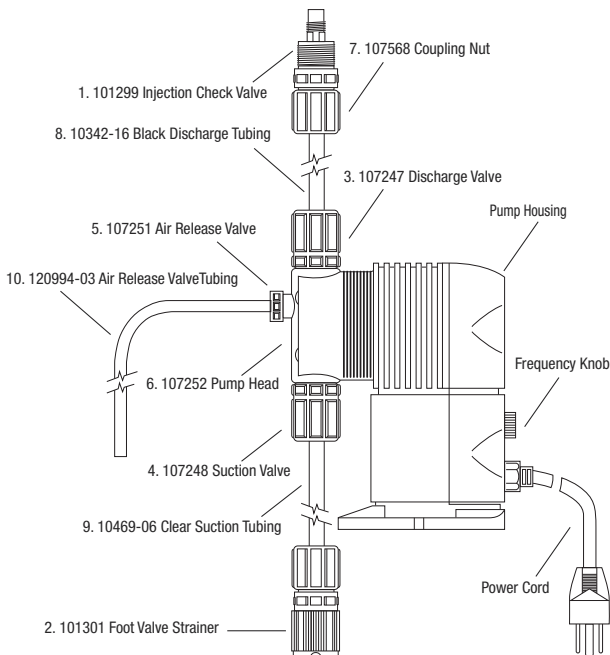


## Stenner Peristaltic Pump for Indoor Applications

Key	Part No.	Description
1	S-UCAK100	Connecting nut 1/4" (pkg of 10)
2	S-UCAK200	Ferrule 1/4" (pkg of 10)
3	S-ST114	Suction line strainer 1/4"
4	S-AK4002B	Discharge/suction tube blk 20' 1/4"
x	S-AK4010B	Discharge/suction tube blk 100' 1/4"
5	S-UCDBINJ	Injection check valve 1/4"
x	S-PSKH01	Tube, Ferrules, Nuts & Duck Bill for 2692
x	S-PSKH02	Tube, Ferrules, Nuts & Duck Bill for 2688
x	S-PSKH07	Tube, Ferrules, Nuts & Duck Bill for 2607
x =		Not illustrated

## Neptune Diaphragm Pump

Part number 2701 and 2702



## Neptune Diaphragm Pump for Outdoor Applications

Key	Part No.	Description
1	PZ-101299	Anti-siphon check valve
2	PZ-101301	Foot valve assembly
3	PZ-107247	Discharge valve assembly
4	PZ-107248	Suction valve assembly
5	PZ-107251	Air release valve assembly
6	PZ-107252	Pump head
7	PZ-107568	Coupling hose nut
8	PZ-10342-16	Discharge tubing, black, .375 OD (16 ft.)
9	PZ-10469-06	Suction tubing, clear, .375 OD (6 ft.)
10	PZ-120994	Air release valve tubing .2500

# Feeder System Installation



## American Hydro Injection Feeder System:

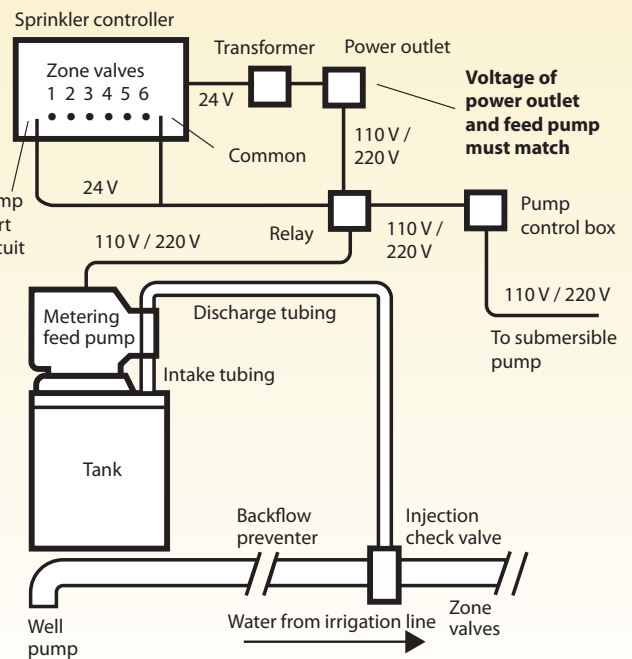
Install for wells used for drinking water & irrigation, or for an irrigation system with a pressure tank.

### 1. Connecting the pump

The metering pump must be connected to the Pump Start Relay that is then plugged into a standard 120V receptacle. The Pump Start Relay is connected to the irrigation controller through the Master Valve or Pump Start and Common terminals.

### 2. Installing a backflow preventer

Plumbing code typically requires a backflow preventer. Consult your local code to determine the type of backflow preventer required with an American Hydro Systems injection system. The metering pump injection point should be installed downstream of the pressure tank, the "T" for the drinking water line, the backflow preventer, and before the first irrigation zone valve.



## ProFeeder System:

Install the ProFeeder™ Injector unit in a Standard or Jumbo Valve Box to protect it from weather, and in an area that will likely not be flooded with water. Allow enough room for the ProFeeder and a 1 or 2.5 gallon bottle of fertilizer.

### 1. Shut off the water main

Tip: You may also manually open one valve to allow water to drain out of the line.

### 2. Dig the hole

Dig a hole between the backflow device and the first valve in the system. Make sure the hole is big enough to accommodate a valve box.

### 3. Cut out a section of pipe

Cut out the minimum amount of pipe needed to accommodate the adapters being used to install the ProFeeder into the sprinkler system. Note: If there is not enough room to install the Injector between the backflow device and first valve box, build a diversion in the pipe.

### 4. Insert the Flow Director

The Flow Director nozzle controls the fertilizer injection rate. For most turf installations use NO nozzle for systems with 5-30 GPM flows (Friction loss < 5 PSI). Use the RED nozzle for drip systems or systems with less than 5 GPM

flows (Friction loss < 10 PSI), inserting the nozzle into the side of the injector based labeled "FROM MAIN."

### 5. Apply Teflon tape to Threads

Apply Teflon Tape to the threads on the injector base to minimize the potential of leaking.

### Installing the ProFeeder unit

Install the ProFeeder with the arrow pointing in the direction of the water flow. Allow any glued connections to cure before pressurizing. To facilitate future access to the injector and fittings, LEAVE THE BASE OF THE INJECTOR EXPOSED.



ProFeeder and Fertilizer are placed inside Valve Box below ground level

# Troubleshooting & Solutions

## Problem Applications

Certain conditions can indicate problem applications. Here we troubleshoot and offer solutions for common issues found when working with well water and irrigation and sprinkler systems.

### Condition

### Potential Problem and Recommended Action

**The iron content is greater than 5 ppm**

Treatment could be more expensive than the customer anticipated. You should review the numbers and test results with the American Hydro support staff.

**The water sample is red/orange**

There could be ferric iron in the water because oxygen is getting into the system. Is the well head sucking air? Do sprinkler heads sputter throughout the irrigation cycle? Is there a leak in a pressure tank? Is there metal piping that is corroding? Any of these conditions must be eliminated in order for the Rid O'Rust™ system to work.

There could be ferric iron in the water because of iron bacteria. Is there a coating of slime on the inside of the piping? Do gelatinous coatings clog filters periodically? Place the water sample in a dark environment for several days; does a scum appear on the water surface or do dark clumps appear in the sample? If so, have the water tested for iron bacteria and if it is present, treat it before installing a Rid O'Rust system. Even after you treat for iron bacteria, you will need to install a Rid O'Rust system to prevent iron staining because there will still be iron in the well water!

**The water sample is yellow/brown**

Tannin in the well water can be the source of the staining. Is the stain removed by bleach? If so, tannin is a major contributor to the stain. If bleach doesn't affect the stain, the culprit is iron, so go ahead and treat it with a Rid O'Rust system. When in doubt, send a sample to American Hydro for testing.

**The water source is a lake or stream**

Dissolved oxygen in the water is going to prevent the Rid O'Rust Formula from neutralizing all the iron. Do not expect optimum results.

# Warranty Information

## General Statement

Because of the nature of the water treatment business, we can warranty our hardware — the pumps, tanks and parts that feed chemicals — but cannot make a blanket guarantee as to the performance of our chemicals in the field. We do warranty that we have provided the appropriate amount of ingredients and that under stated conditions, they should perform as represented.

Many factors over which we have no control affect the performance of our products. Actual well conditions, equipment installation and maintenance of the water treatment system impact the performance of our products. Therefore, a blanket guarantee of performance would be impossible.

### On Rust Stain Prevention

Our Formulas work to prevent rust stains and corrosion by sequestering and chelating ferrous (clear water) iron in the well water. If ferric iron is present in the well water, we will not be able to prevent a stain. Generally, ferric iron can be produced in two ways:

By introducing air, chlorine or any other oxidizing agent into the well water prior to the point that our formulas are injected. By the presence of iron-related bacteria in the well water that produce ferric iron as a by-product of propagation.

It is difficult to test well water to determine the amount of ferric iron present. Iron bacteria, on the other hand, signify their presence by reddish tinged water, slime on pipes, and slime and "sludge" build-up around the edges and corners of an irrigation system.

Please note that lake water or any other bodies of water exposed to the atmosphere can have substantial amounts of ferric iron that we cannot treat. As noted elsewhere in our literature, stains are also caused by tannin in the well water. Stains can appear with tannin in excess of 3 ppm. Our products do not prevent stains caused by tannins.

Finally, "Mother Nature" can interfere with the best application charts through changes in the water table. We recommend that users test their water each year to monitor changes in iron, hardness and pH levels.

### Full One Year Warranty On Parts That Fail

For one year from the date of purchase, we will replace any defective part of a feeder system, free of charge. This warranty extends to five years on certain molded tanks and a lifetime for the PumpHaus™. We reserve the right to provide reconditioned parts as replacements. Warranty service is available by contacting your nearest American Hydro Systems products supplier. This warranty gives you specific legal rights, and you may also have other rights which vary from state to state.

### Return Policy On Metering Pumps

We provide a one-year warranty from the date of purchase by the home owner or 15 months from the date of sale to the contractor. Proof of purchase should be provided as well as the pump serial number. If date of sale cannot be documented, we will allow 18 months from the date of manufacture.

The warranty covers normal usage, excluding power overload on the pump motor, whether caused by mis-use or an act of nature. We accept returned pumps and parts only if accompanied by a returned goods authorization (RGA) number that we supply.

### Pumps Under Warranty

Upon receipt of the pump described in the RGA, we credit the distributor for the cost of the pump less the cost of any parts not returned. Returned pumps found to be in working order will be returned. No credit will be issued. As an alternative to providing credit, we are glad to make repairs at no charge, supplying new parts and promptly returning the pump in operating condition.

If we receive a returned pump for credit, not repair, within the warranty period and we determine it to be in operating condition, and that only a part needs to be replaced, we will deduct a service charge in addition to the deduction for any parts not returned.

**110V pumps with cut plugs are not covered under warranty. We recommend purchase and installation of the American Hydro Pump Start Relay (part #2810) to prevent voiding of the pump warranty.**

# Customer Service & Support



Our job is to help you do your job, so we are committed to offering the highest level of support and customer service. Whatever you need, we are here. Our marketing and support team wants to help you:

- Increase sales leads
- Convert leads into sales
- Ensure proper product application
- Maintain satisfied customers

## Tools & Tips

To serve your customers well, you need all the information and education you can get. That's why we offer you a wide range of marketing and training tools including:

- Marketing brochures, manuals and catalogs
- Downloadable print materials
- Online support and product purchase
- Integrated promotions
- Training videos and webinars
- Dosage charts and water testing tools

## We've got your back

We want you to do it right every time. Our support team is always ready to help you close a sale, answer any questions you may have and provide solid information and solutions.



Just think of us as part of your tool kit!



## A Cleaner, Greener Approach to Landscape Care.

A proven, complete range of products and systems that make lawn and landscape care easy and effective. Only from American Hydro Systems.™



**LiquidLife**  
PROFESSIONAL SERIES

**NatureShield**  
ALL-NATURAL PEST REPELLANT

**BioBuilder**

**ProFeeder**  
AUTOMATIC FERTILIZING  
& PEST CONTROL SYSTEM

**RID O' RUST**

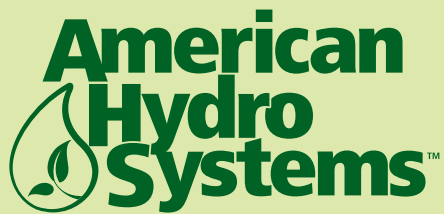
**GrassSoGreen**

Our specialty irrigation products provide solutions designed to treat well water used in irrigation systems. American Hydro Systems has been providing specialty irrigation products for rust stain removal and prevention as well as fertilizers and scale reducers to the irrigation industry for over twenty-five years. Now, with the addition of the ProFeeder,™ NatureShield™ and LiquidLife™ products, American Hydro Systems delivers even more advanced solutions.

To find out more about our easy-to-use products and systems, visit our website: [www.americanhydro.com](http://www.americanhydro.com)

Or call us at: 1-800-347-7487





Pro Products, LLC  
7201 Engle Road  
Fort Wayne, IN 46804  
800-285-9176

Product Ordering:  
Call Toll Free 800-347-7487  
Fax: 260-483-2070  
Email [info@americanhydro.com](mailto:info@americanhydro.com)

[www.americanhydro.com](http://www.americanhydro.com)



**A Cleaner, Greener Approach  
to Landscape Care.**