



# ENGINEERING EXCELLENCE

Calla Collection #4CL200T

PARTS BREAKDOWN SHEET

### DESCRIPTION

- Single Handle Tub Trim Set
- Metal Lever Handles
- Ceramic Disc Cartridge with Temperature Limit Stop
- 1/2" IPS Tub Spout
- Color Match Sleeve and Retaining Ring

### FINISHES

- PC PVD Polished Chrome
- BN PVD Brushed Nickel
- SS PVD Stainless Steel
- PN PVD Polished Nickel



#4CL200T SHOWN \* ADA 

### STANDARDS APPLICABLE

- ASME A112.18.1
- ANSI A117.1
- CUPC / IAPMO LISTED / ADA COMPLIANT

Model #: \_\_\_\_\_

Specific Features: \_\_\_\_\_

Project Name: \_\_\_\_\_

Submitted For: \_\_\_\_\_

Model	Description	Finishes
#4CL200T	Single Handle Tub Trim Set	<input type="checkbox"/> PC <input type="checkbox"/> Other__
Required Valve		
#4020B	Single Handle Tub and Shower-Valve Set	<input type="checkbox"/> N/A



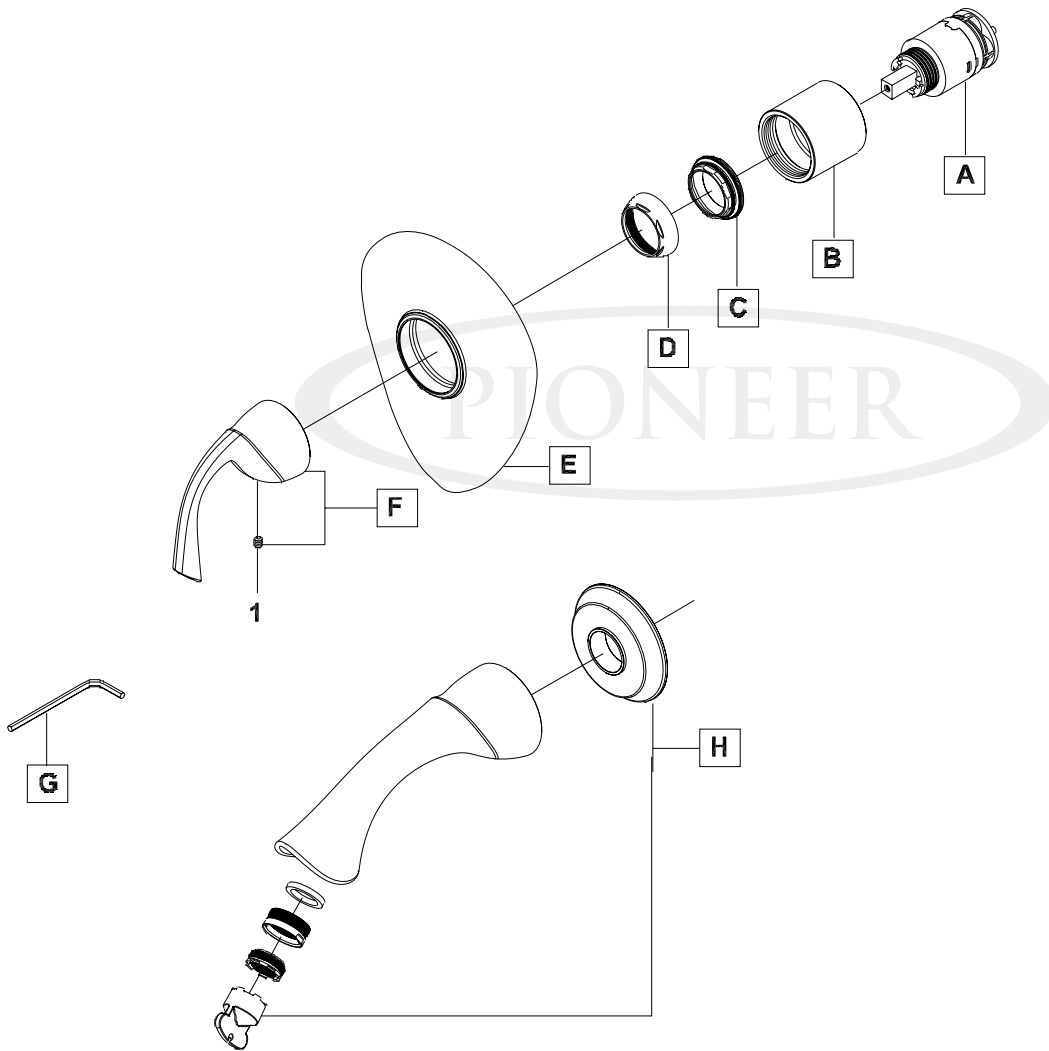
ENGINEERING EXCELLENCE

Pioneer: 1-800-338-9468  
 Commerce, CA 90040  
 www.pioneerind.com  
 Pioneer Industries, Inc. © 2013

DMPB4CL200T/REV. 12 2012  
 Page 1 of 2

	ITEM#	DESCRIPTION
A	X-3400007	Ceramic Disc Cartridge
B	X-4400030*	Sleeve
C	X-4400080	Lock Nut
D	X-4200001*	Retainer Cap
E	X-6400065*	Face Plate
F	X-1400035*	Calla Handle
G	X-4900024	3/32" Allen Wrench
H	X-6400066*	Tube Spout
I	X-4900002	3/32" Allen Screw

\* Note: Please specify finish/color when ordering.



Product Diagram

