



ENGINEERING EXCELLENCE

Legacy Series #6LG101T PARTS BREAKDOWN SHEET

DESCRIPTION

- Single Handle Diverter Trim Set
- Metal Lever Handle
- Diverter Valve Face Plate
- Diverter Valve Sleeve

FINISHES

- PC PVD Polished Chrome
- BN PVD Brushed Nickel
- SS PVD Stainless Steel
- PB PVD Polished Brass
- ORB Oil Rubbed Bronze



#6LG101T SHOWN \* ADA

STANDARDS APPLICABLE

- ASME A112.18.1
- ANSI A117.1
- ADA COMPLIANT

Model #: \_\_\_\_\_

Specific Features: \_\_\_\_\_

Project Name: \_\_\_\_\_

Submitted For: \_\_\_\_\_

Model	Description	Finishes
#6LG101T	Single Handle Diverter Trim Set	<input type="checkbox"/> PC <input type="checkbox"/> Other__
Required Valve		
#4100B	Single Handle Diverter Valve Set	NA



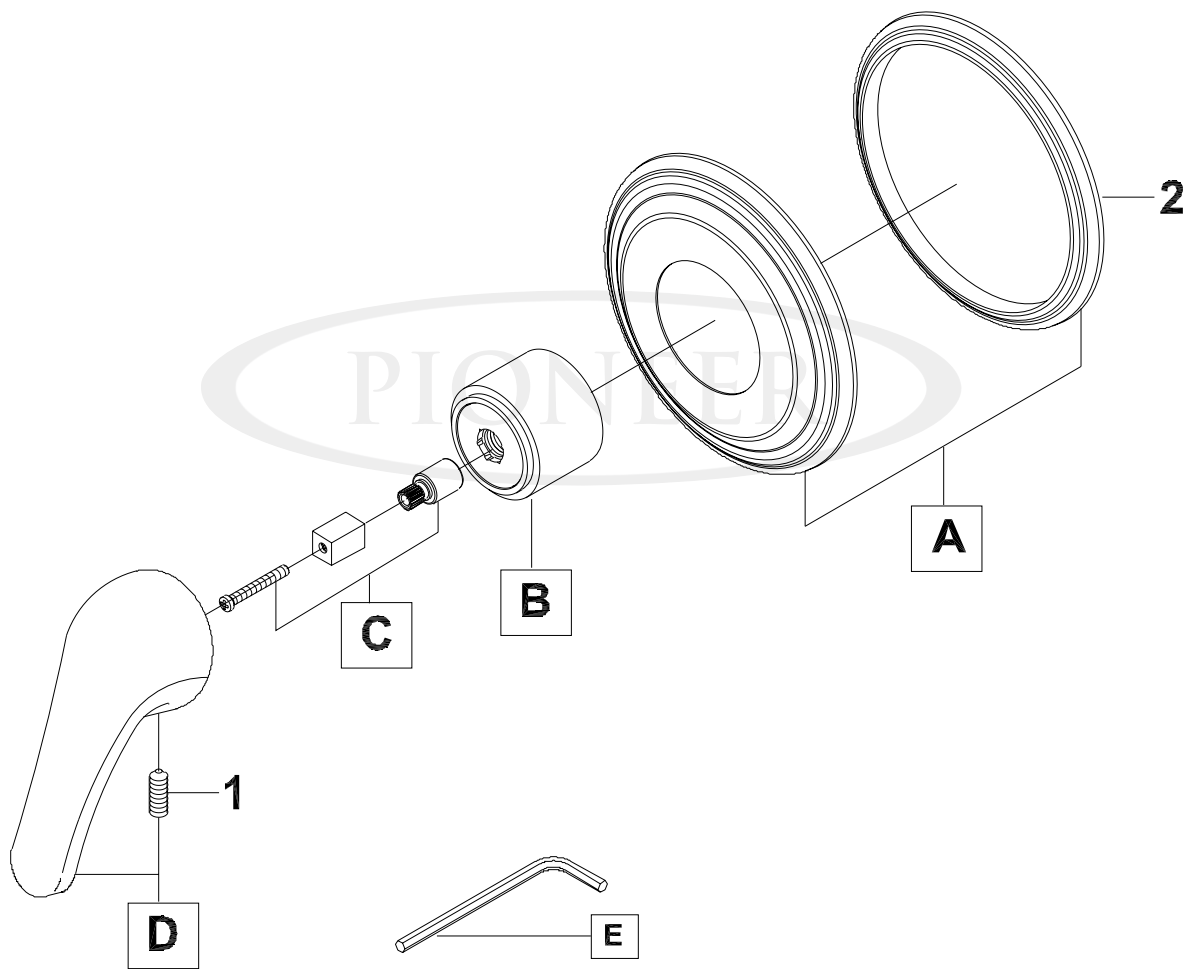
ENGINEERING EXCELLENCE

Pioneer: 1-800-338-9468  
 Commerce, CA 90040  
 www.pioneerind.com  
 Pioneer Industries, Inc. © 2013

DMSP6LG101T/REV. 12 2012  
 Page 1 of 2

	ITEM#	DESCRIPTION
A	X-6600001*	Face Plate
B	X-4600035*	Sleeve
C	X-4600036	Adapter
D	X-1400025*	Lever Handle
E	X-4900024	Allen Wrench
1	X-4900080	Allen Screw
2	X-4600025	Rubber Gasket

\* Note- Please specify finish/color code while ordering.



Product Diagram



ENGINEERING EXCELLENCE

Pioneer: 1-800-338-9468  
 Commerce, CA 90040  
 www.pioneerind.com  
 Pioneer Industries, Inc. © 2013