



ENGINEERING EXCELLENCE

Americana Series #4AM610

PARTS BREAKDOWN SHEET

DESCRIPTION

- Two Handle Roman Tub Set
- Metal Lever Handles
- Rigid Spout
- 9-1/2" Reach
- Ceramic Disc Cartridges
- 3-Hole 8" to 16" Installation
- Includes Spout and Valve Escutcheons

FINISHES

- PC PVD Polished Chrome
- BN PVD Brushed Nickel
- SS PVD Stainless Steel
- PN PVD Polished Nickel
- PB PVD Polished Brass
- GR PVD Golden Rose
- ORB Oil Rubbed Bronze
- TB PVD Tuscany Bronze



#4AM610 SHOWN * ADA 

STANDARDS APPLICABLE

- ASME A112.18.1
- ANSI A117.1
- CUPC / IAPMO LISTED /ADA COMPLIANT

Note:-

Rough-in valve included.

Model #: _____

Specific Features: _____

Project Name: _____

Submitted For: _____

Model	Description	Finishes
#4AM610	Two Handle Roman Tub Set	<input type="checkbox"/> PC <input type="checkbox"/> Other ____

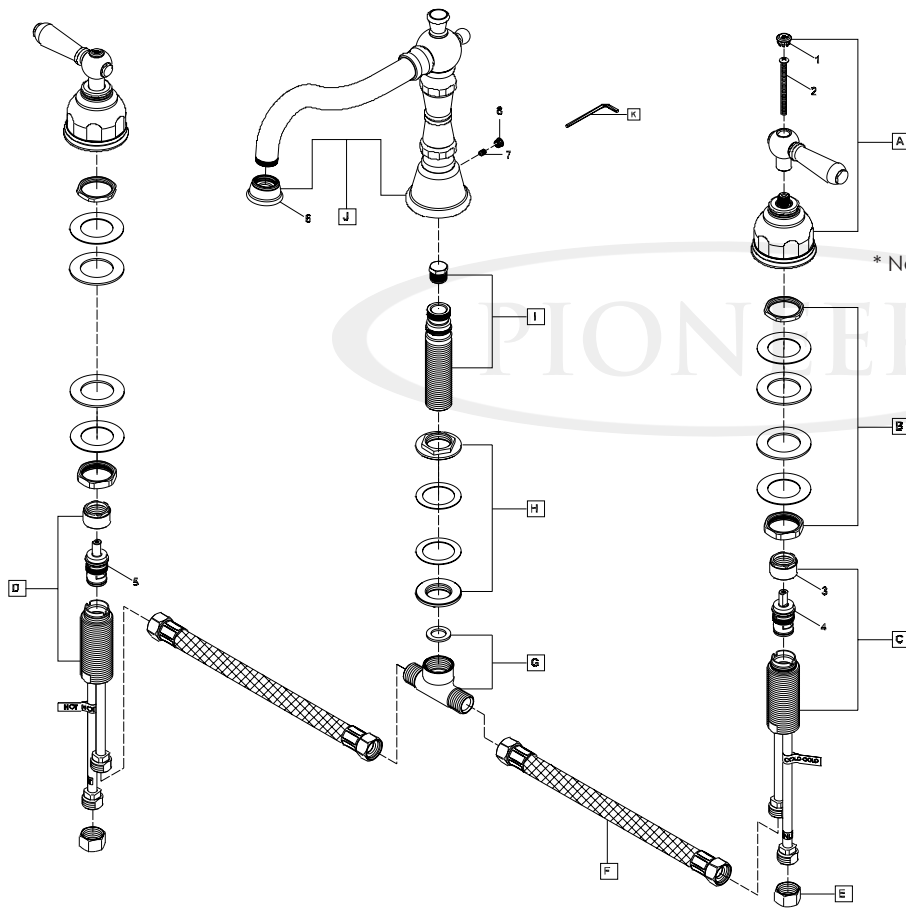


ENGINEERING EXCELLENCE

Pioneer:1-800-338-9468
 Commerce, CA 90040
 www.pioneerind.com
 Pioneer Industries, Inc. © 2013

DMPB4AM610/REV. 12 2012
 Page 1 of 2

	ITEM#	DESCRIPTION
A	X-1400004C,H*	Lever Handle-Cold,Hot
B	X-5400003	Valve Mounting Kit
C	X-3900005C	Valve-Cold
D	X-3900005H	Valve-Hot
E	X-4900004	Supply Nut
F	X-4400063	Hose Connector </td
G	X-4400029	T-Connector
H	X-5400001	Spout Mounting Kit
I	X-5400005	Shank and Test Plug
J	X-2400006*	Spout
K	X-4900024	3/32" Allen Wrench
1	X-4900042C,H*	Button-Cold, Hot
2	X-4200065	Handle Screw
3	X-4900022	Bonnet Nut
4	X-3900002C	Ceramic Cartridge-Cold
5	X-3900002H	Ceramic Cartridge-Hot
6	X-4400023*	Flow Streamer
7	X-4400024	3/32" Allen Screw
8	X-4900044*	Hole Cover



* Note- Please specify finish\color code while ordering

Product Diagram



ENGINEERING EXCELLENCE
 Pioneer:1-800-338-9468
 Commerce, CA 90040
 www.pioneerind.com
 Pioneer Industries, Inc. © 2013