



ENGINEERING EXCELLENCE

Brentwood Series #2BR130

PARTS BREAKDOWN SHEET

DESCRIPTION

- Two Handle Kitchen Faucet
- Beaux Lever Handles
- Hi-Arc Gooseneck Spout Swivel 360°
- 8-1/16" Reach, 7-5/16" from Deck to Aerator
- Ceramic Disc Cartridges
- 3-Hole 8" Installation

FINISHES

- PC PVD Polished Chrome
- BN PVD Brushed Nickel
- PN PVD Polished Nickel
- PB PVD Polished Brass
- ORB Oil Rubbed Bronze



STANDARDS APPLICABLE

- ASME A112.18.1
- ANSI A117.1
- ANSI / NSF 61, SECTION 9
- CUPC / IAPMO LISTED
- CONTAINS NO MORE THAN 0.25% WEIGHTED AVERAGE LEAD CONTENT

FLOW

- Aerator Limited to 1.5 GPM

#2BR130 SHOWN * ADA 

Model #: _____

Specific Features: _____

Project Name: _____

Submitted For: _____

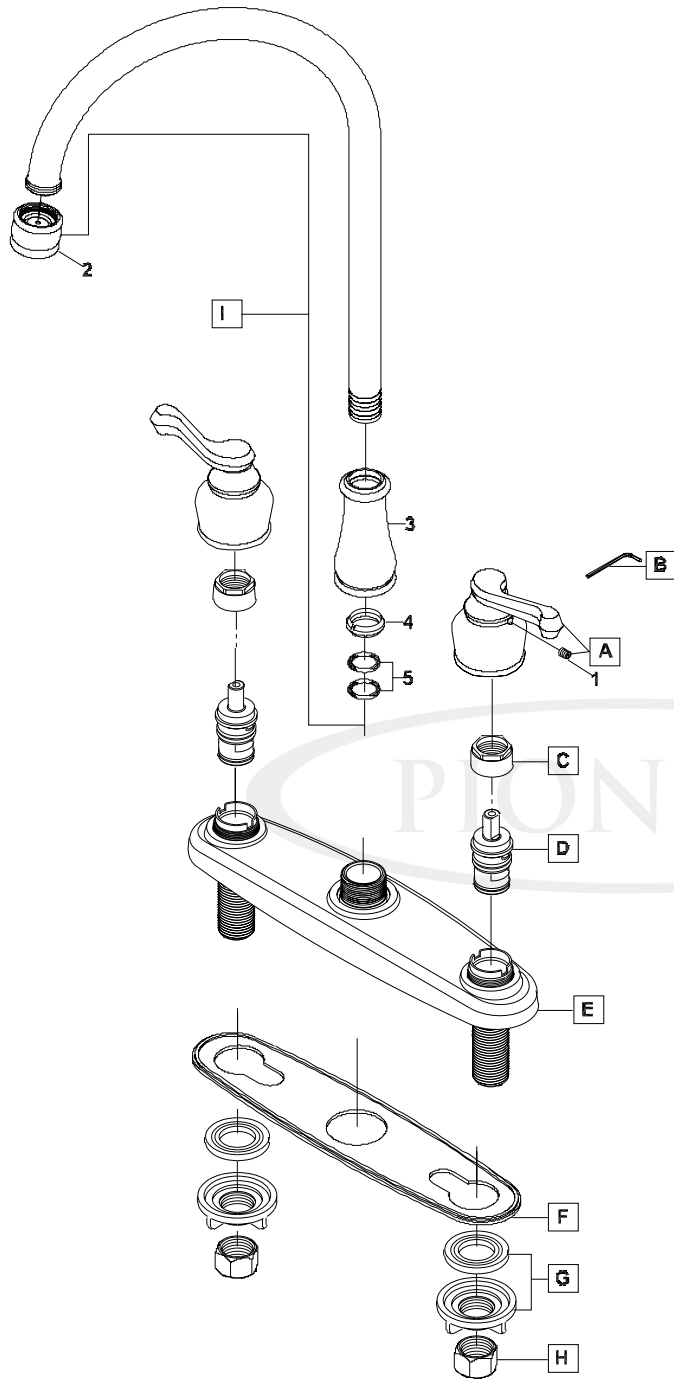
| Model | Description | Finishes |
|---------|---------------------------|--|
| #2BR130 | Two Handle Kitchen Faucet | <input type="checkbox"/> PC <input type="checkbox"/> Other _____ |



ENGINEERING EXCELLENCE

Pioneer: 1-800-338-9468
 Commerce, CA 90040
 www.pioneerind.com
 Pioneer Industries, Inc. © 2013

DMPB2BR130/REV. 12 2012
 Page 1 of 2



| | ITEM# | DESCRIPTION |
|---|--------------|---------------------------------|
| A | X-1900012* | Beaux Lever Handle-Cold,Hot |
| B | X-4900024 | 3/32" Allen Wrench |
| C | X-4900111 | Bonnet Nut |
| D | X-3900002C,H | Ceramic Disc Cartridge-Cold,Hot |
| E | X-4200081* | Deck Plate |
| F | X-4200080 | Base Gasket |
| G | X-4900008 | Mounting Kit |
| H | X-4900004 | Supply Nut |
| I | X-2200021* | Gooseneck Spout |
| 1 | X-4900002 | 3/32" Allen Screw |
| 2 | X-4200129* | 1.5 GPM Aerator |
| 3 | X-4200077* | Spout Bonnet Nut |
| 4 | X-4900013 | Spout Snap Ring |
| 5 | X-4900012 | Spout O-Ring |

* Note- Please Specify finish\color code while ordering.

Product Diagram



ENGINEERING EXCELLENCE

Pioneer:1-800-338-9468
 Commerce, CA 90040
 www.pioneerind.com
 Pioneer Industries, Inc. © 2013