



# ENGINEERING EXCELLENCE

## Motegi Series #2MT700 PARTS BREAKDOWN SHEET

### DESCRIPTION

- Deck Mount Pot Filler
- Metal Lever Handles
- Space Saving Swivel Spout  
Folds in When Not in Use
- 18-3/4" Reach, 14-9/16" From  
Deck to Aerator
- Ceramic Disc Cartridges
- 1-Hole Deck Mount Installation
- Designed for Cold Water
- 3/8" Compression SS Flex Con-  
nector Line

### FINISHES

- PC PVD Polished Chrome
- BN PVD Brushed Nickel
- SS PVD Stainless Steel
- PN PVD Polished Nickel
- PB PVD Polished Brass



#2MT700 SHOWN \* ADA 

### FLOW

- Aerator Limited to 2.0 GPM

### STANDARDS APPLICABLE

- ASME A112.18.1
- ANSI A117.1
- ANSI / NSF 61, SECTION 9
- CUPC / IAPMO LISTED / ADA  
COMPLIANT
- CONTAINS NO MORE THAN  
0.25% WEIGHTED AVERAGE  
LEAD CONTENT

Model #: \_\_\_\_\_

Specific Features: \_\_\_\_\_

Project Name: \_\_\_\_\_

Submitted For: \_\_\_\_\_

Model	Description	Finishes	
#2MT700	Deck Mount Pot Filler	<input type="checkbox"/> PC	<input type="checkbox"/> Other__



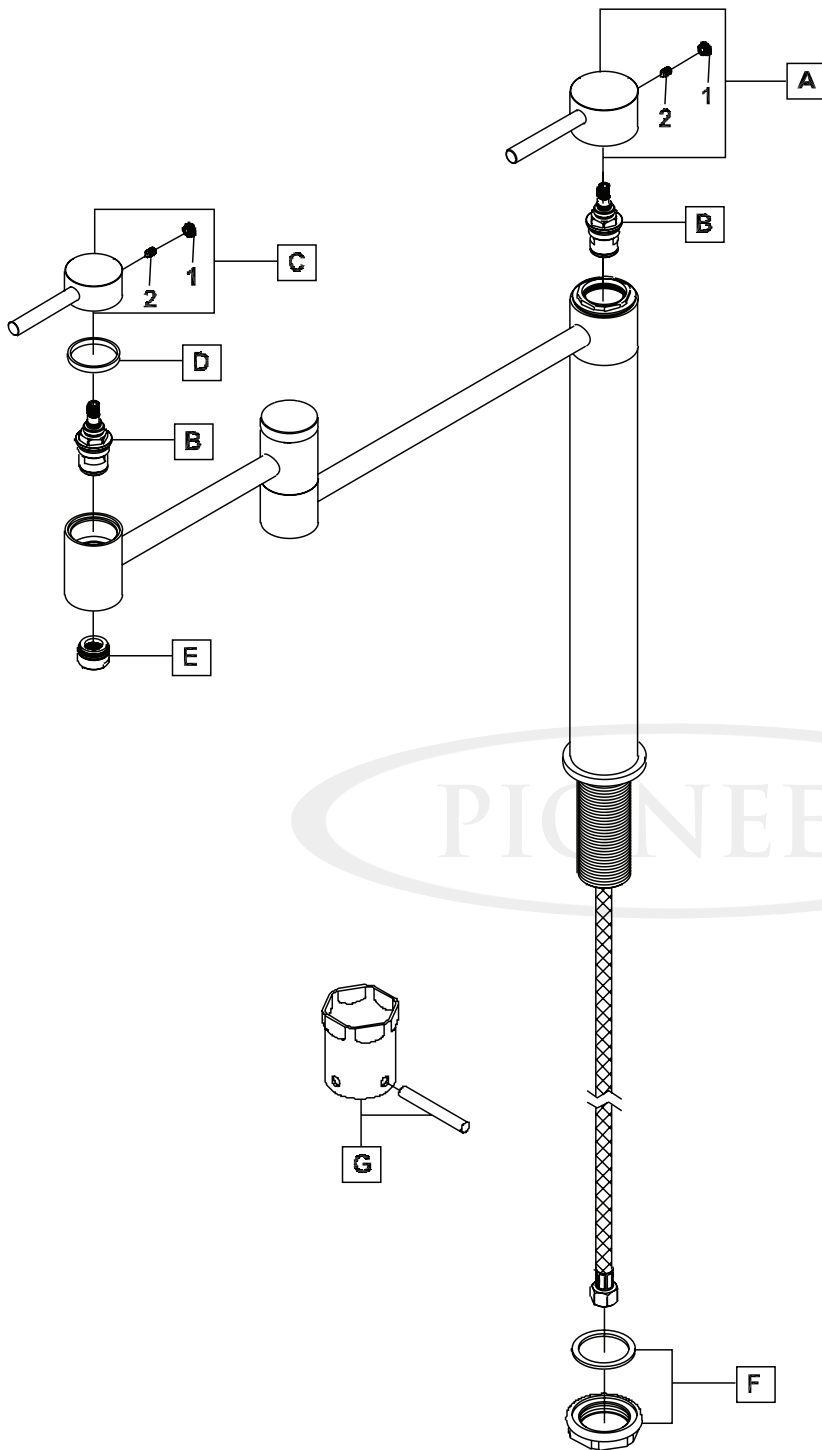
ENGINEERING EXCELLENCE

Pioneer:1-800-338-9468  
 Commerce, CA 90040  
 www.pioneerind.com  
 Pioneer Industries, Inc. © 2013

DMPB2MT700/REV. 12 2012  
 Page 1 of 2

	ITEM#	DESCRIPTION
A	X-1200019*	Primary Handle
B	X-3200004H	Ceramic Cartridge
C	X-1200018*	Secondary Handle
D	X-4200153	Gasket
E	X-4900041*	2.0 GPM Aerator
F	X-5200019	Mounting Kit
G	X-5200020	Mounting Tool
1	X-4400073*	Hole Cover
2	X-4900002	3/32" Allen Screw

\* Note: Please specify finish/color when ordering.



Product Diagram



ENGINEERING EXCELLENCE

Pioneer: 1-800-338-9468  
 Commerce, CA 90040  
 www.pioneerind.com  
 Pioneer Industries, Inc. © 2013