



ENGINEERING EXCELLENCE

Gibraltar Series #3GB100

PARTS BREAKDOWN SHEET

DESCRIPTION

- Two Handle Lavatory Faucet
- Gibraltar Lever Handles
- Rigid Spout
- 3-13/16" Reach, 3-5/16" from Deck to Aerator
- Ceramic Disc Cartridges
- 3-Hole 4" Installation
- Brass Pop-Up Drain Assembly

FINISHES

- PC PVD Polished Chrome
- BN PVD Brushed Nickel
- PN PVD Polished Nickel
- ORB Oil Rubbed Bronze



STANDARDS APPLICABLE

- ASME A112.18.1
- ANSI A117.1
- ANSI / NSF 61, SECTION 9
- CUPC / IAPMO LISTED / ADA COMPLIANT
- CONTAINS NO MORE THAN 0.25% WEIGHTED AVERAGE LEAD CONTENT

FLOW

- Aerator Limited to 1.5 GPM

#3GB100 SHOWN * ADA 



Model #: _____

Specific Features: _____

Project Name: _____

Submitted For: _____

Model	Description	Finishes	
#3GB100	Two Handle Lavatory Faucet	<input type="checkbox"/> PC	<input type="checkbox"/> Other__



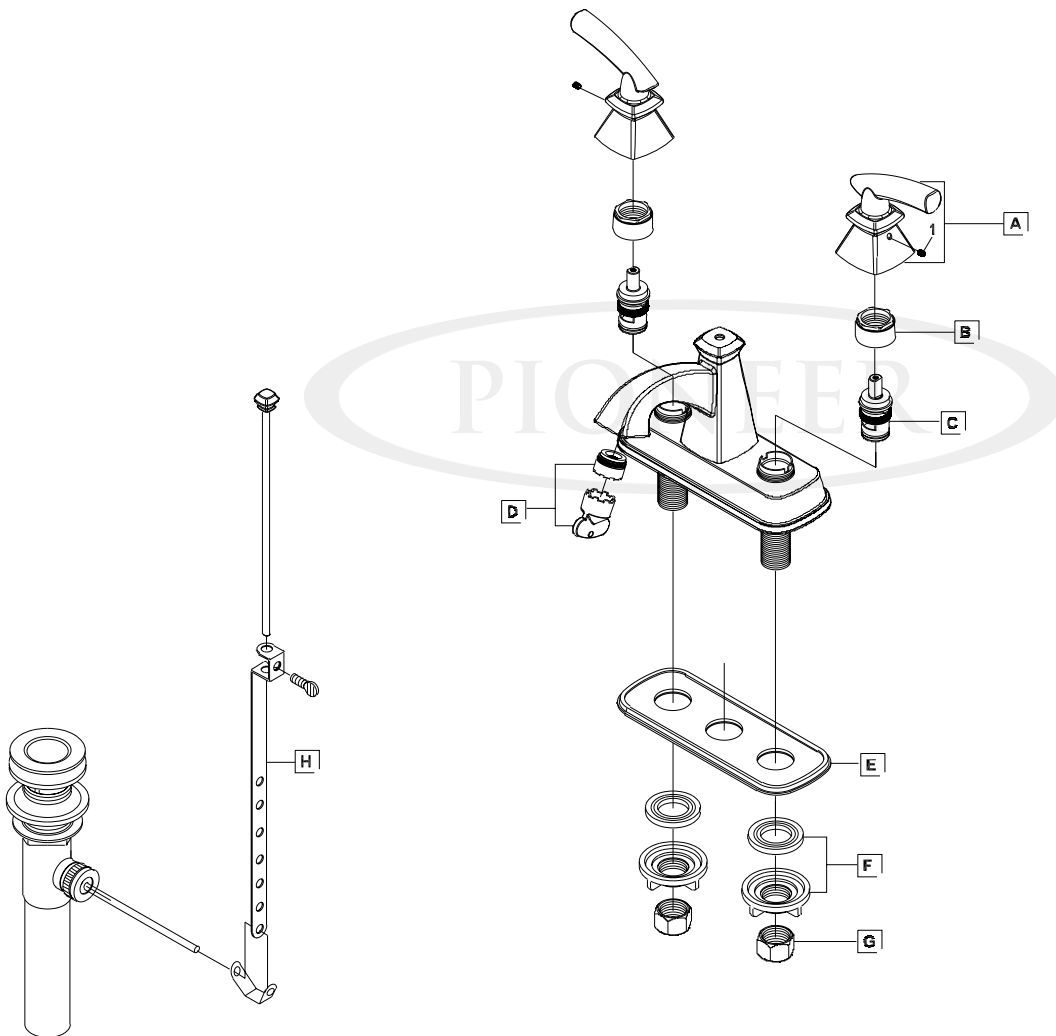
ENGINEERING EXCELLENCE

Pioneer:1-800-338-9468
 Commerce, CA 90040
 www.pioneerind.com
 Pioneer Industries, Inc. © 2013

DMPB3GB100/REV. 12 2012
 Page 1 of 2

	ITEM#	DESCRIPTION
A	X-1300017*	Lever Handle
B	X-4900111	Bonnet Nut
C	X-3900002C,H	Ceramic Stem - Cold, Hot
D	X-4300080	1.5 GPM Aerator
E	X-4300081	Base Gasket
F	X-4900008	Mounting Kit
G	X-4900004	Supply Nut
H	X-6300026*	Brass Pop-Up Drain Assembly
I	X-4900002	Screw

* Note- Please specify finish/color code while ordering.



Product Diagram



ENGINEERING EXCELLENCE

Pioneer: 1-800-338-9468
 Commerce, CA 90040
 www.pioneerind.com
 Pioneer Industries, Inc. © 2013