



# ENGINEERING EXCELLENCE

Legacy Series #2LG231

SPECIFICATION SHEET

### DESCRIPTION

- Two Handle Kitchen Faucet
- Metal Lever Handles
- Hi-Arc Spout Swivel 360°
- 7-3/16" Reach, 11-3/16" From Deck to Aerator
- Ceramic Disc Cartridges
- 4-Hole 8" Installation
- Side Spray Assembly

### FINISHES

- PC PVD Polished Chrome
- SS PVD Stainless Steel
- BN PVD Brushed Nickel
- PB PVD Polished Brass
- ORB Oil Rubbed Bronze



#2LG231 SHOWN \* ADA



### STANDARDS APPLICABLE

- ASME A112.18.1
- ANSI A117.1
- ANSI / NSF 61, SECTION 9
- CUPC / IAPMO LISTED / ADA COMPLIANT
- CONTAINS NO MORE THAN 0.25% WEIGHTED AVERAGE LEAD CONTENT

### FLOW

- Aerator Limited to 1.5 GPM

Model #: \_\_\_\_\_

Specific Features: \_\_\_\_\_

Project Name: \_\_\_\_\_

Submitted For: \_\_\_\_\_

| Model   | Description               | Finishes                    |                                  |
|---------|---------------------------|-----------------------------|----------------------------------|
| #2LG231 | Two Handle Kitchen Faucet | <input type="checkbox"/> PC | <input type="checkbox"/> Other__ |



ENGINEERING EXCELLENCE

Pioneer: 1-800-338-9468  
 Commerce, CA 90040  
 www.pioneerind.com  
 Pioneer Industries, Inc. © 2013

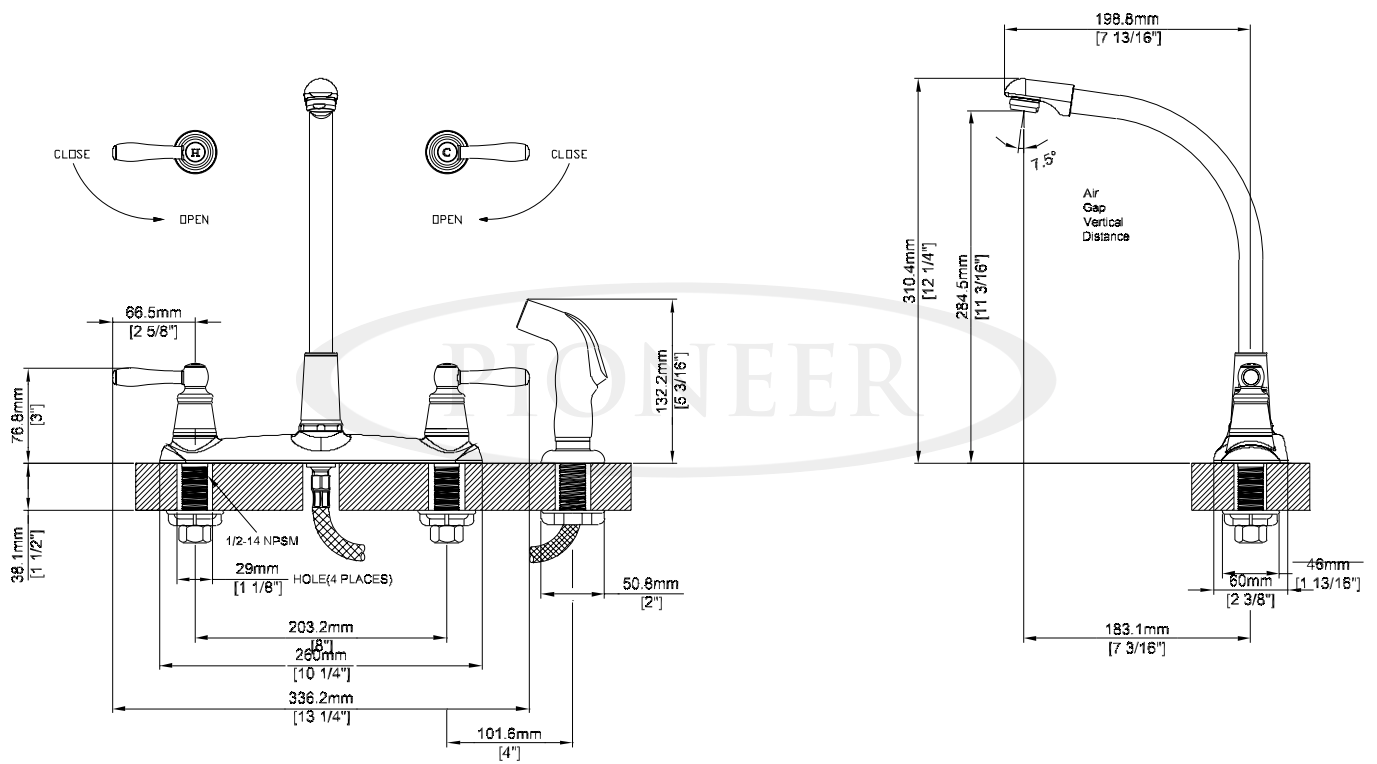
DMSP2LG231/REV. 12 2012

Page 1 of 2

**Installation Note:**

Faucet Hole Size :- 1-1/2"

Maximum Deck Thickness:- 1-1/2"



**Product Diagram**



ENGINEERING EXCELLENCE

Pioneer:1-800-338-9468

Commerce, CA 90040

www.pioneerind.com

Pioneer Industries, Inc. © 2013