



ENGINEERING EXCELLENCE

Del Mar Series #7DM032

SPECIFICATION SHEET

DESCRIPTION

- Toilet Tissue Holder
- Brass Mount
- Concealed Screw Installation
- Mounting Hardware

FINISHES

- PC PVD Polished Chrome
- BN PVD Brushed Nickel
- PN PVD Polished Nickel
- ORB Oil Rubbed Bronze
- TB PVD Tuscany Bronze



#7DM032 SHOWN

Model #: _____

Specific Features: _____

Project Name: _____

Submitted For: _____

Model	Description	Finishes	
#7DM032	Toilet Tissue Holder	<input type="checkbox"/> PC	<input type="checkbox"/> Other___



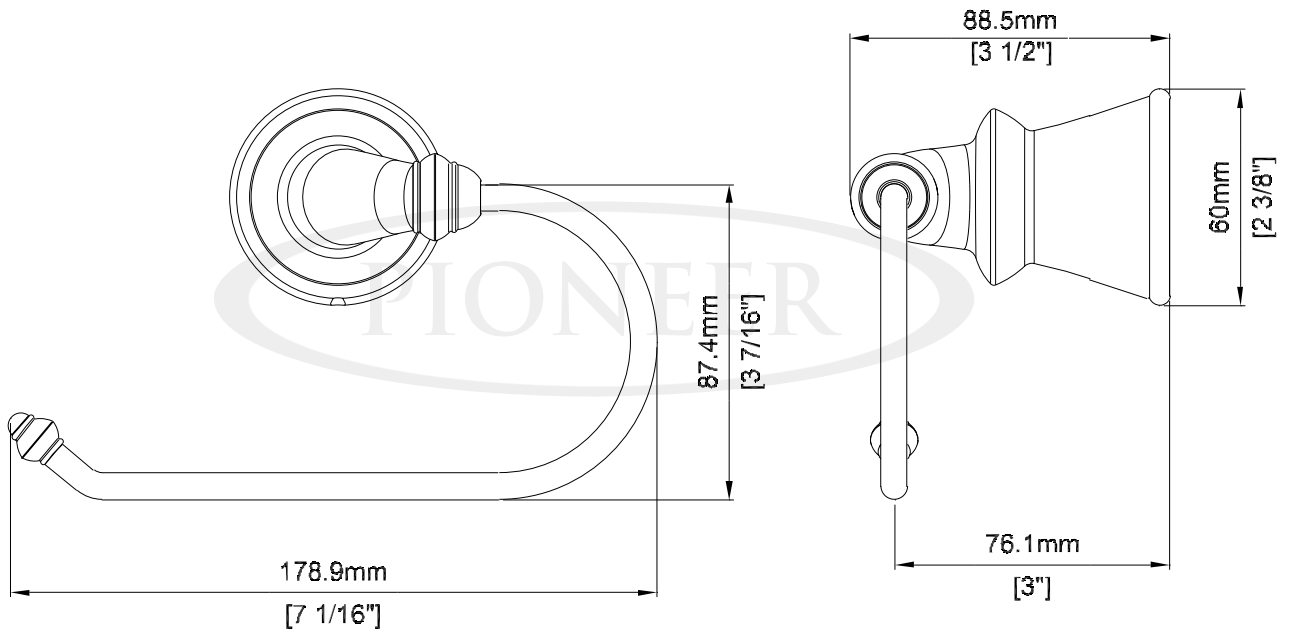
ENGINEERING EXCELLENCE

Pioneer: 1-800-338-9468
 Commerce, CA 90040
 www.pioneerind.com
 Pioneer Industries, Inc. © 2013

DMSP7DM032/REV. 12 2012
 Page 1 of 2

Installation Note:

Please refer to Installation Guide For this Product.



Product Diagram



ENGINEERING EXCELLENCE

Pioneer: 1-800-338-9468
 Commerce, CA 90040
 www.pioneerind.com
 Pioneer Industries, Inc. © 2013