



# ENGINEERING EXCELLENCE

Brentwood Series #4BR720

PARTS BREAKDOWN SHEET

### DESCRIPTION

- Two Handle Roman Tub Set
- Porcelain Cross Handles
- Rigid C Style Spout
- 7-1/2" Reach
- Ceramic Disc Cartridges
- 3-Hole 8" to 16" Installation
- Includes Spout and Valve Escutcheons

### FINISHES

- PC PVD Polished Chrome
- BN PVD Brushed Nickel
- PN PVD Polished Nickel
- PB PVD Polished Brass
- ORB Oil Rubbed Bronze



#4BR720 SHOWN

### STANDARDS APPLICABLE

- ASME A112.18.1
- CUPC / IAPMO LISTED

### Note:-

Rough-in valve included.

Model #: \_\_\_\_\_

Specific Features: \_\_\_\_\_

Project Name: \_\_\_\_\_

Submitted For: \_\_\_\_\_

Model	Description	Finishes	
#4BR720	Two Handle Roman Tub Set	<input type="checkbox"/> PC	<input type="checkbox"/> Other__

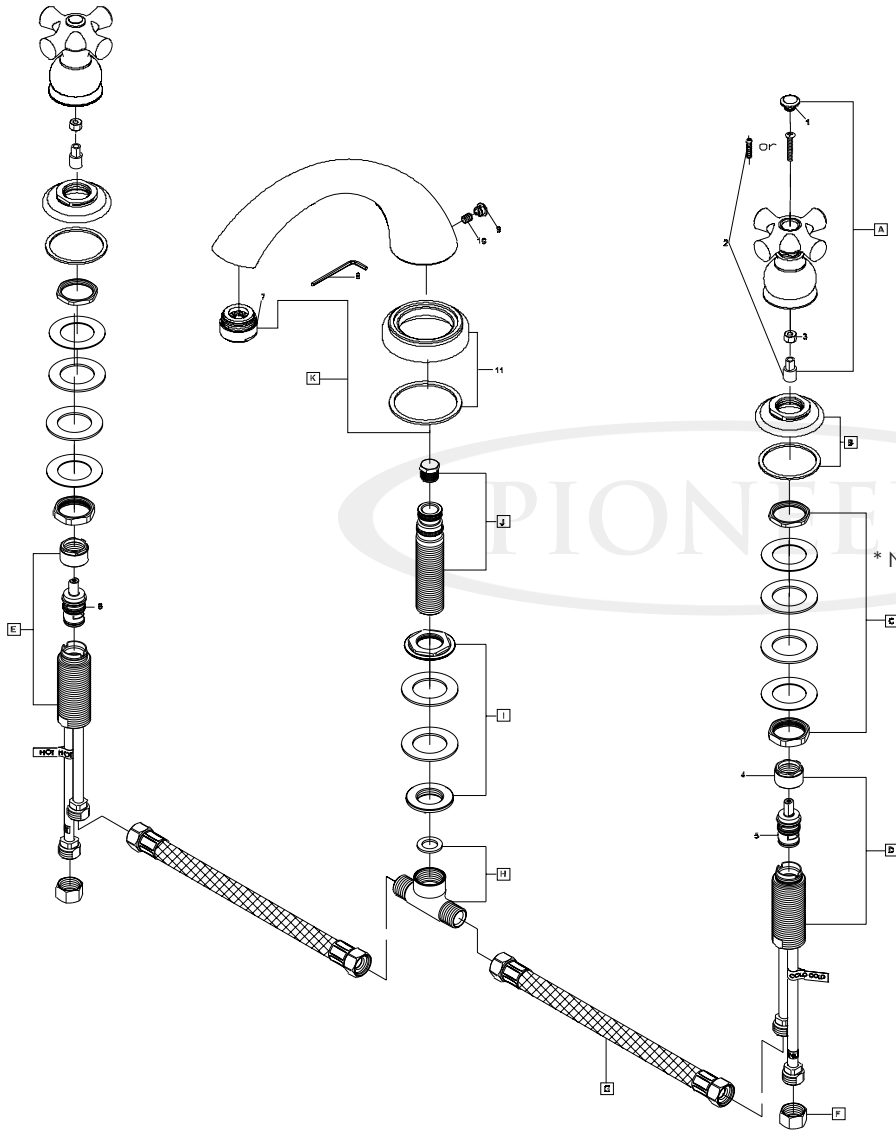


ENGINEERING EXCELLENCE

Pioneer:1-800-338-9468  
 Commerce, CA 90040  
 www.pioneerind.com  
 Pioneer Industries, Inc. © 2013

DMSP4BR720/REV. 12 2012  
 Page 1 of 2

	ITEM#	DESCRIPTION
A	X-1400010C,H*	Porcelain Cross Handles
B	X-4400046*	Valve Escutcheon
C	X-5400003	Valve Mounting Kit
D	X-3900005C	Valve-Cold
E	X-3900005H	Valve-Hot
F	X-4900004	Supply Nut
G	X-4400063	Hose Connector
H	X-4400029	Tee Connector
I	X-5400001	Spout Mounting Kit
J	X-5400005	Shank
K	X-2400010*	"C" Style Spout
1	X-4900062C,H*	Button-Cold,Hot
2	X-4400059	Stem Extension
3	X-4400051	Handle Adapter
4	X-4900022	Bonnet Nut
5	X-3900002C	Ceramic Cartridge-Cold
6	X-3900002H	Ceramic Cartridge-Hot
7	X-4400047*	Flow Streamer
8	X-4900026	1/8" Allen Wrench
9	X-4400048*	Spout Button
10	X-4400018	1/8" Allen Screw
11	X-4400050*	Spout Escutcheon



\* Note- Please Specify finish\color code while ordering.

Product Diagram



ENGINEERING EXCELLENCE

Pioneer:1-800-338-9468  
 Commerce, CA 90040  
 www.pioneerind.com  
 Pioneer Industries, Inc. © 2013