



# ENGINEERING EXCELLENCE

Legacy Series #3LG100

SPECIFICATION SHEET

### DESCRIPTION

- Two Handle Lavatory Faucet
- Acrylic Round Handles
- 3-9/16" Reach, 1-15/16" From Deck to Aerator
- Ceramic Disc Cartridges
- 3-Hole 4" Installation
- Brass Pop-Up Drain Assembly

### FINISHES

- PC PVD Polished Chrome
- BN PVD Brushed Nickel



#3LG100 SHOWN

### STANDARDS APPLICABLE

- ASME A112.18.1
- ANSI / NSF 61, SECTION 9
- CUPC / IAPMO LISTED
- CONTAINS NO MORE THAN 0.25% WEIGHTED AVERAGE LEAD CONTENT

### FLOW

- Aerator Limited to 1.5 GPM



Model #: \_\_\_\_\_

Specific Features: \_\_\_\_\_

Project Name: \_\_\_\_\_

Submitted For: \_\_\_\_\_

| Model    | Description                                   | Finishes                    |                                  |
|----------|---|-----------------------------|----------------------------------|
| #3LG100  | Two Handle Lavatory Faucet                    | <input type="checkbox"/> PC | <input type="checkbox"/> Other__ |
| #3LG100B | Two Handle Lavatory Faucet-Builder Tract Pack | <input type="checkbox"/> PC | <input type="checkbox"/> Other__ |
| #3LG101  | Two Handle Lavatory Faucet-Less Pop-UP Drain  | <input type="checkbox"/> PC | <input type="checkbox"/> Other__ |



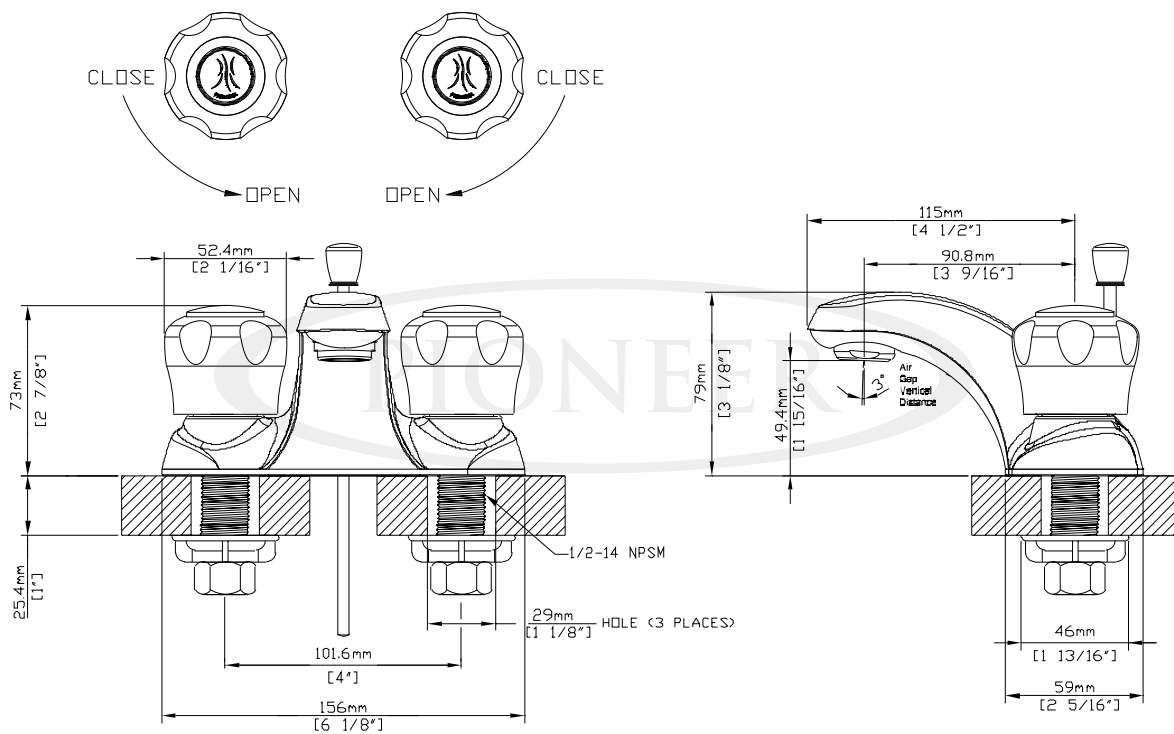
ENGINEERING EXCELLENCE

Pioneer: 1-800-338-9468  
 Commerce, CA 90040  
 www.pioneerind.com  
 Pioneer Industries, Inc. © 2013

DMSP3LG100/REV. 12 2012  
 Page 1 of 2

**Installation Note:**

Faucet Hole Size :- 1-1/4"  
 Maximum Deck Thickness:- 1"



**Product Diagram**



ENGINEERING EXCELLENCE

Pioneer: 1-800-338-9468  
 Commerce, CA 90040  
 www.pioneerind.com  
 Pioneer Industries, Inc. © 2013